

Tonno Cover

Installation Instructions

For: Wrangler 1986 - 1991
with Original Factory Hardware

Part Number: 11153.00XX

DO NOT INSTALL THIS PRODUCT ON ANY VEHICLE OTHER THAN THOSE LISTED ABOVE

This product is only designed for the vehicles listed above. Failure to install this product on the proper vehicle could cause injury to the vehicle occupants and damage to the product.

Note: This kit is designed to be installed on vehicles equipped with a Production Soft Top only.

WARNING

This product is designed to enhance the appearance of the vehicle and to shield the occupants from ordinary weather conditions. Do not rely in any way on the components of this product to contain occupants within the vehicle, or to protect against injury or death in the event of an accident. This top will not protect the occupants from falling objects. Never operate vehicle in excess of manufacturer's specifications.

WEAR SEAT BELTS AT ALL TIMES

Read and follow, precisely, all installation instructions provided when installing top. Failure to do so may result in a poor fitting top and could place occupants of the vehicle in a potentially dangerous situation. After installing or reinstalling the top, check to make sure it has been properly installed.

Installation Tips

After completing the installation, keep these instructions for future reference. Before you begin installing this Tonno Cover, read all instructions thoroughly. Below are a few tips to make this installation easier.

For a smooth fit:

For ease in installation, this product should be installed at temperatures above 72° F. Below this temperature, the fabric may contract an inch or more, making it difficult to fit to the vehicle.

It is normal for the fabric to contract and wrinkle when stored in the shipping carton. Within a few days after the installation, the fabric will relax and the wrinkles will disappear.

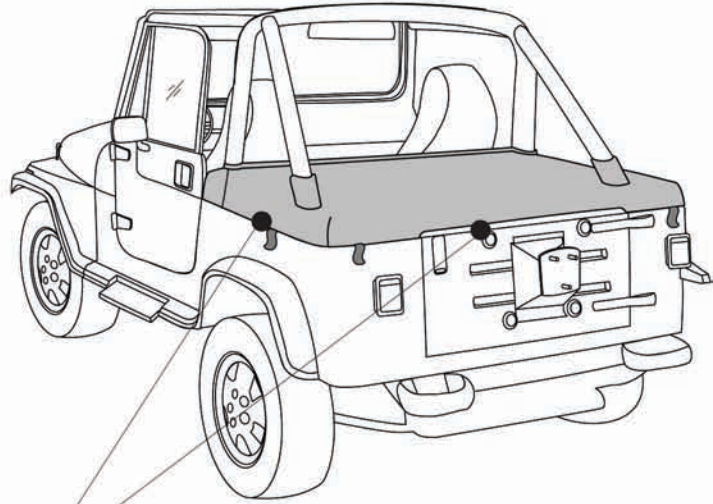
Parts Kit

Tonno Cover

Qty - 1

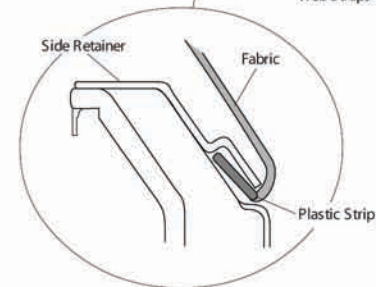
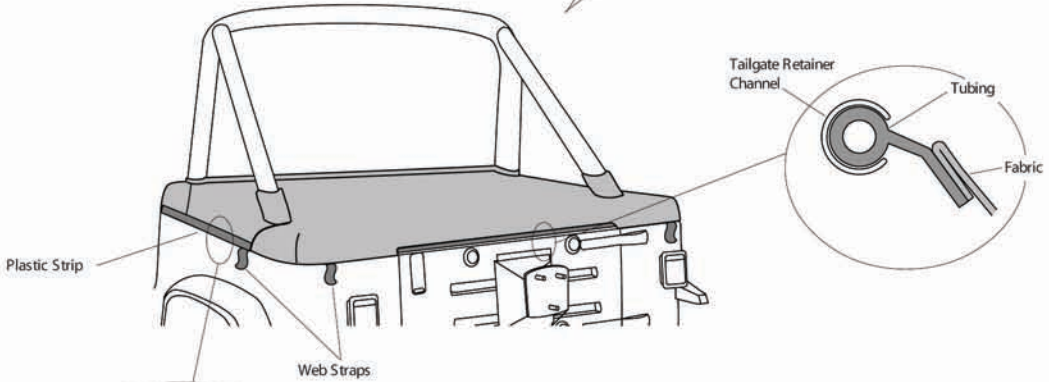
Step One

Remove your soft top from the hardware. Fold the top and store. Fold the factory hardware system down onto the vehicle body. Make sure the hardware system lies as flat as possible, with the bow assembly resting against the tailgate retainer.



Step Two

Fold down or remove the rear seat. From the back of the vehicle, hold the cover with the backing side toward you. Slide the tubing into the channel in the tailgate retainer.

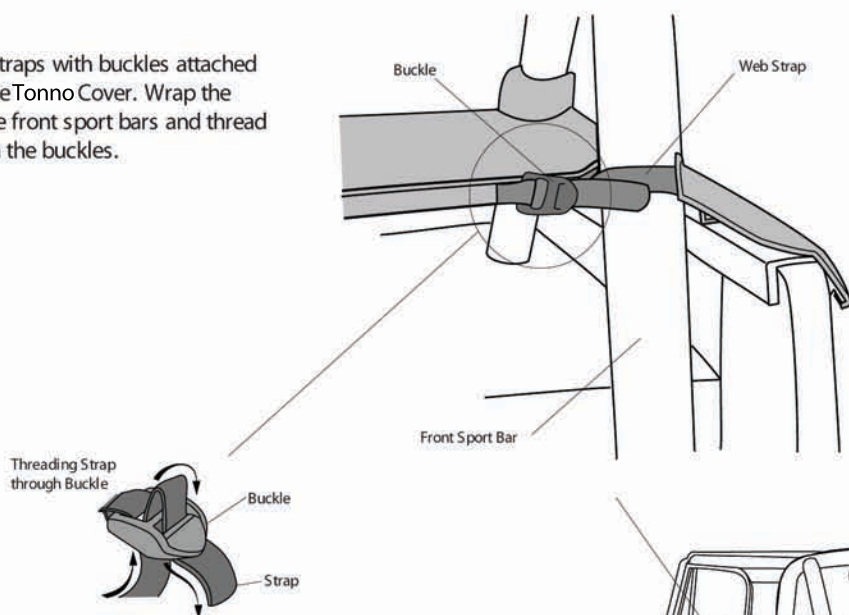


Step Three

Drape the fabric forward over the rear of the vehicle. Use the web straps sewn to the cover, to slide the plastic strips on the sides into the Side Retainers.

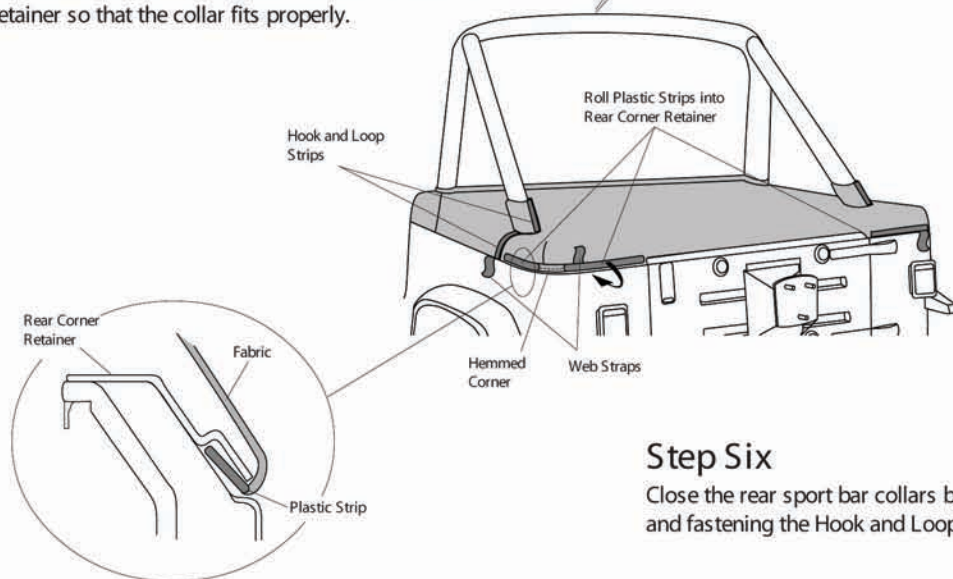
Step Four

Locate the web straps with buckles attached on the front of the Tonno Cover. Wrap the straps around the front sport bars and thread the ends through the buckles.



Step Five

Slide the plastic strips, sewn into the rear corners of the cover into the Corner Retainers. Smooth the hemmed corner area of the Tonno Cover over the retainer by sliding the strips towards the front and rear. Make sure that the plastic strip fits up into the retainer so that the collar fits properly.



Step Six

Close the rear sport bar collars by pulling firmly on the fabric and fastening the Hook and Loop Strips to each other.

LIMITED WARRANTY

We warrant our product to be free from defects in material and workmanship, for the terms specified below, provided there has been normal use and proper maintenance. This warranty applies to the original purchaser only. All remedies under this warranty are limited to the repair or replacement of any item or items found by the factory to be defective within the time period specified.

If you have a warranty claim, first you must call our factory at the number below for instructions. You must retain proof of purchase and submit a copy with any items returned for warranty work. Upon completion of warranty work, if any, we will return the repaired or replaced item or items to you freight prepaid. Damage to our products caused by accidents, fire, vandalism, negligence, misinstallation, misuse, Acts of God, or by defective parts not manufactured by us, is not covered under this warranty.

THE WARRANTY TIME PERIOD IS AS FOLLOWS: ALL "SOFT GOODS" MANUFACTURED BY OUR COMPANY (USING PRIMARILY VINYL, PLASTICS, AND/OR FOAM): ONE YEAR FROM DATE OF PURCHASE.

ANY IMPLIED WARRANTIES OF MERCHANTABILITY AND/OR FITNESS FOR A PARTICULAR PURPOSE CREATED HEREBY ARE LIMITED IN DURATION TO THE SAME DURATION AND SCOPE AS THE EXPRESS WRITTEN WARRANTY. OUR COMPANY SHALL NOT BE LIABLE FOR ANY INCIDENTAL OR CONSEQUENTIAL DAMAGE.

Some states do not allow limitations on how long an implied warranty lasts, or the exclusion or limitation of incidental or consequential damages, so the above limitations or exclusions may not apply to you.

This warranty gives you specific legal rights, and you may also have other rights which vary from state to state.

For further information or request for warranty work, please contact: Customer Service
800-745-6037

*All or a portion of this product may have been produced in China