

Tonno Cover Installation Instructions For: Jeep TJ 2003 and Newer **Part Number: 11153.023X**



Tonno Cover shown with Bimini Top and Roll Bar Curtain (sold separately)

DO NOT INSTALL THIS PRODUCT ON ANY VEHICLE OTHER THAN THOSE LISTED ABOVE.

This product is only designed for the vehicles listed above. Failure to install this product on the proper vehicle could cause injury to the vehicle occupants and damage to the product.

Installation Tips

Before you begin installing this assembly, read all instructions thoroughly.

For a smooth fit:

For ease in installation, the product should be installed at temperatures above 72° F. Below this temperature, the fabric may contract an inch or more, making it difficult to fit to the vehicle. It is normal for fabric to contract and wrinkle when stored in the shipping carton. Within a few days after the installation, the fabric will relax and the wrinkles will disappear.



WARNING

This product is designed to enhance the appearance of the vehicle. Do not rely in any way on the components of this product to contain occupants within the vehicle, or to protect against injury or death in the event of an accident. Never operate vehicle in excess of manufacturer's specifications.

WEAR SEAT BELTS AT ALL TIMES

Read and follow, precisely, all installation instructions provided when installing this product. Failure to do so could place occupants of the vehicle in a potentially dangerous situation. After installing or reinstalling, check to make sure it has been properly installed.

Table of Contents

Tonno COVER PARTS LIST	PAGE 2
Tonno COVER TOOLS NEEDED	PAGE 2
Tonno COVER INSTALLATION	PAGE 2
Tonno COVER WARRANTY	PAGE 5



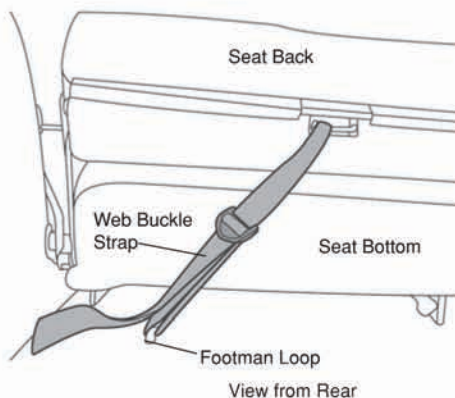
CAUTION

Safety glasses should be worn at all times while installing this product.

Step One

SECURE REAR SEAT

Locate the Web Buckle Strap in the parts kit. Thread the web end of the strap through the footman loop closest to the rear of the seat on the Driver's side. Fold the back of the seat down and thread the web through the bar on the seat back. Thread the end of the strap through the buckle and pull it tight. Tightening the strap securely will keep the seat from banging when the vehicle is moving.

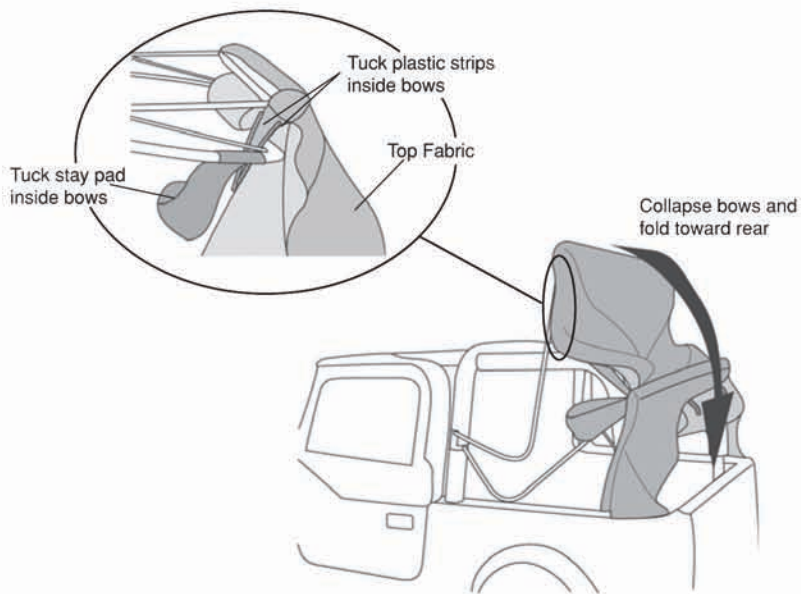


Parts List	
Tonno Cover	Qty - 1
Web Buckle Strap	Qty - 1

Step Two

FOLD DOWN TOP

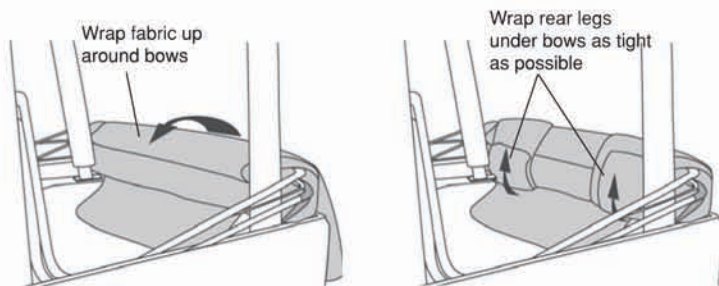
Remove the Rear Quarter Windows and Rear Window from the top. Remove the Tailgate Retainer from the Rear Window. Cover the "glass" in the Rear Quarter Windows and the Rear Window and store them while not in use. Release the front of the top from the windshield. Raise the front of the deck and collapse the rear bows, tucking the two plastic strips above the door openings and the stay pad on the rear bow inside of the bows.



Step Three

WRAP FABRIC AROUND BOWS

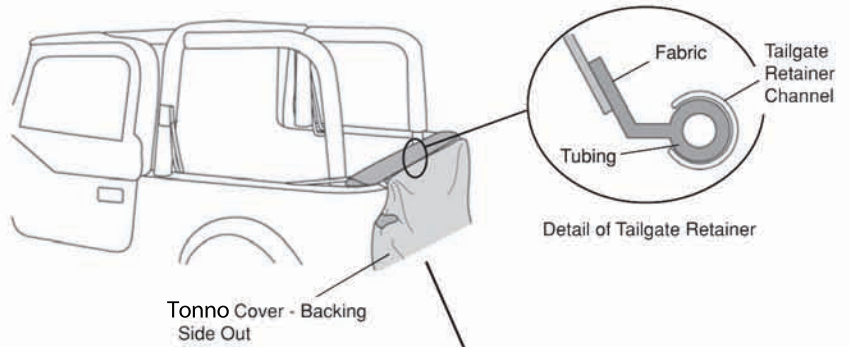
Lay the bows down along the rear of the vehicle. Wrap the fold of fabric from the rear of the vehicle up around the bows. Then tuck the rear legs of top under the bows and wrap them around the deck fabric as tight as possible. Tuck the fabric and bows down into the tub as far as possible.



Step Four

INSTALL TAILGATE BAR

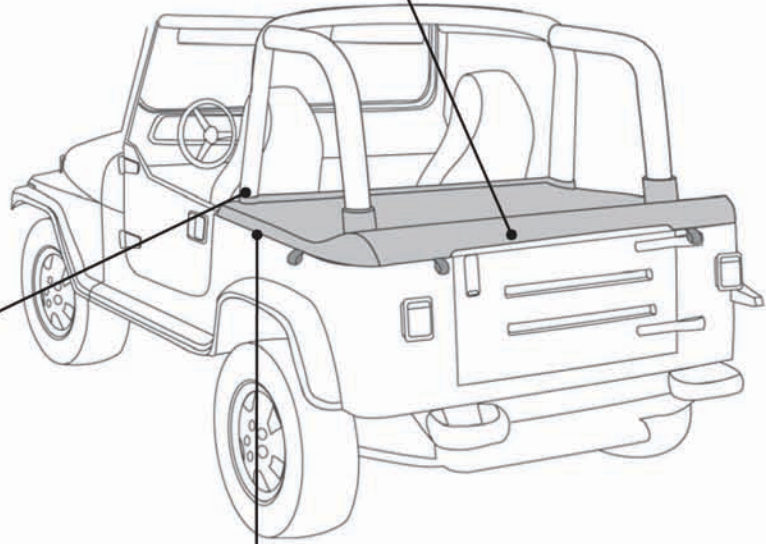
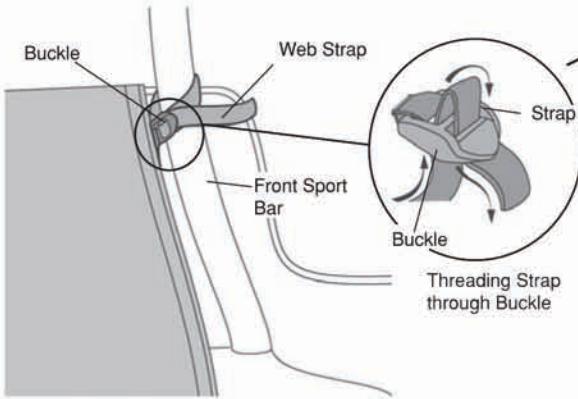
From the back of the vehicle, hold the Tonno Cover with the backing side toward you. Slide the tubing into the channel in the Tailgate Retainer and install the retainer into the Tailgate Retainer Mount.



Step Five

SECURE WEB STRAPS

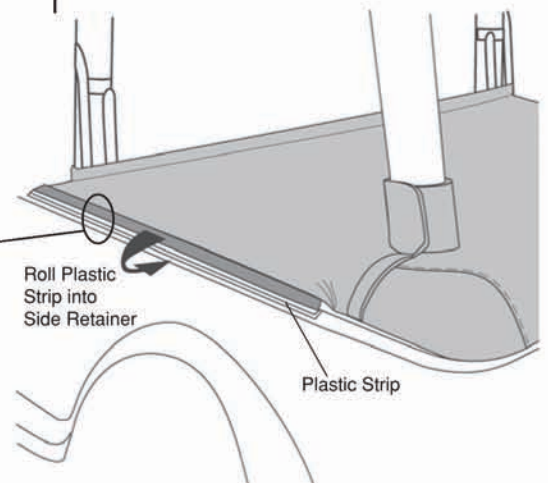
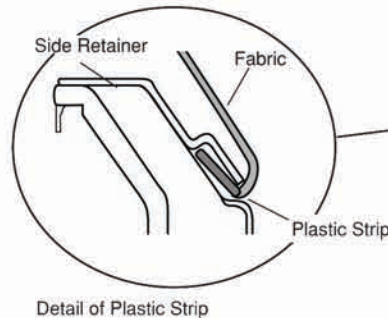
Drape the fabric forward over the rear of the vehicle and locate the web straps, with buckles attached, on the front of the Tonno Cover. Wrap the straps around the front sport bars and thread the ends loosely through the buckles. Do not pull the straps tight at this time.



Step Six

SECURE PLASTIC STRIPS

Locate the plastic strip sewn to the Tonno Cover along each side of the vehicle. Start at one end on each side and roll the plastic strip into the Side Retainers.

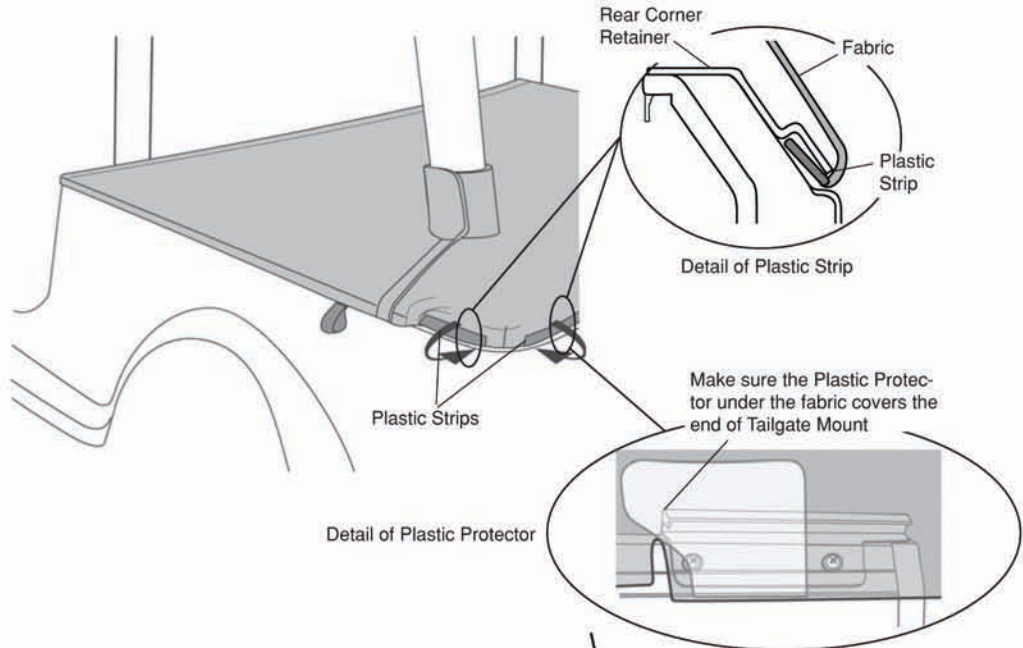


Step Seven

SECURE REAR CORNERS

Roll the plastic strips, sewn into the rear corners of the Tonno Cover into the Corner Retainers. Slide the corner plastic strip toward the front of the vehicle and make sure that the plastic strip fits up into the retainer so that the collar fits properly.

NOTE The Plastic Protector sewn into the fabric must be located over the Tailgate Retainer Mounts.

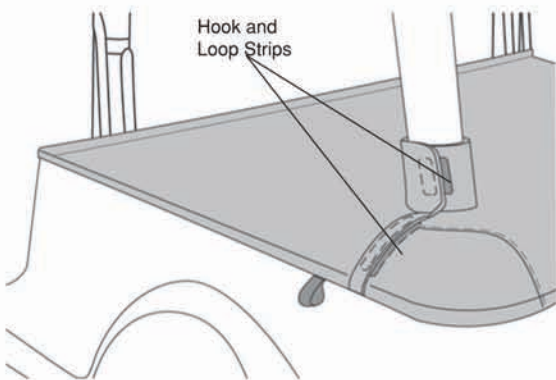


Step Eight

SECURE COLLARS

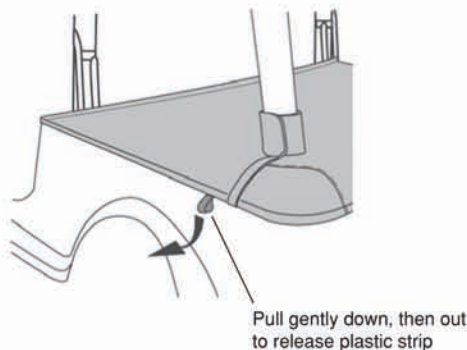
Tuck the seat belt assemblies into the rear sport bar collars and close the rear sport bar collars by pulling firmly on the fabric and fastening the Hook and Loop Strips to each other.

Tighten the straps on the front of the Tonno Cover.



To Remove Tonno Cover

When removing the Tonno Cover, use the loops sewn to the fabric to release the plastic strips. Pull gently down, then straight out to release the plastic strip from the retainers.



If You Have a Roll Bar Curtain on Your Vehicle

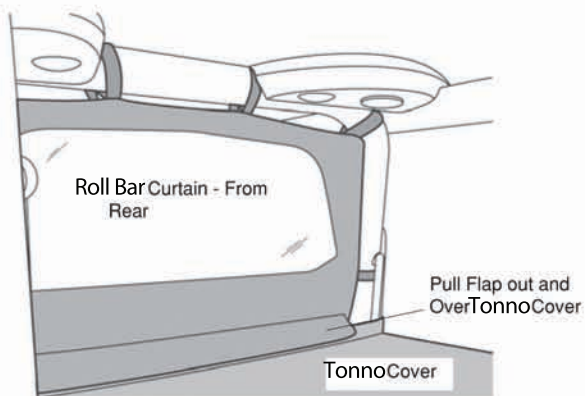
Optional Installation

Step One - Optional

Locate Attaching Snaps from Hardware Kit supplied with the Roll Bar Curtain.

Step Two - Optional

Locate the flap sewn to the vinyl side of the Roll Bar Curtain. Pull the flap out over the top of the front edge of the Tonno Cover.



Step Three - Optional

Pull up on the front, reinforced edge of the Tonno Cover and mark the locations matching the three snaps on the Roll Bar Curtain flap, on the webbing along the top of the Tonno Cover.

Step Four - Optional

At the marked locations, push the sharp end of a Snap Head Screw through the Tonno Cover from the webbing side, to make a hole. Once a hole is formed, pull the screw back out of the hole. Then push the screw through the hole from the vinyl side so that the snap is on top of the vinyl. Thread an Acorn Locknut over the pointed end of the Snap Head Screw. Snap the Tonno Cover and the Roll Bar Curtain together with the three snaps.

