



Assembly instructions
iVault Radio Locker
 Part# 14026.2311 I-VAULT 97-02 TJ

Included:	Qty.
Front door	1
Body front	1
Body rear	1
Sliding Tray	1

Sheet metal screws	4
Felt pads	2
Long sheet metal screws	2

Please read all instructions before beginning assembly

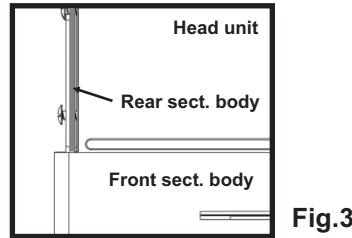
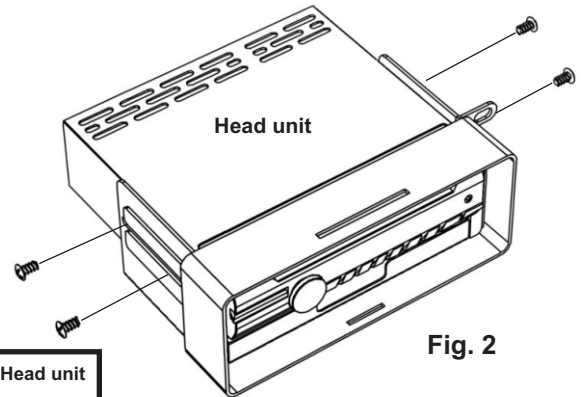
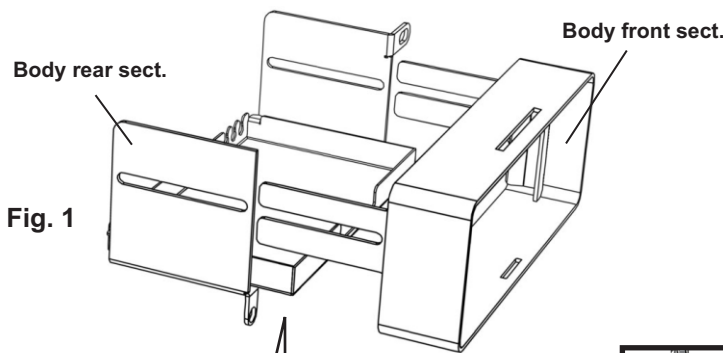
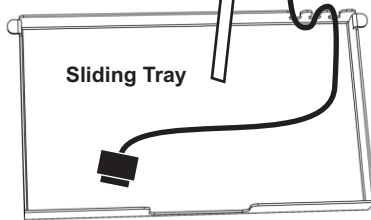


Fig. 1

Fig. 2

Fig. 3



Cord Management

NOTE: Insert the desired cord as shown to keep it from falling out of the drawer and becoming unreachable inside the vehicle dash.

IMPORTANT: The two long sheet metal screws are included to allow for mounting radios with deeper or recessed mounting points. Use as needed but be sure to check inside the holes for obstructions that could damage the radio.

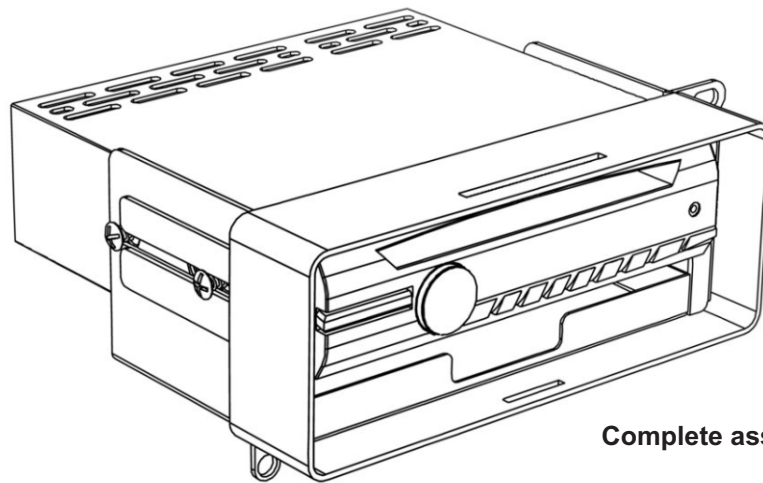
STEP 1

A) Begin by installing the two strips of felt on the underside of the head unit as protection for the items carried in the tray when on rough terrain.

B) Install any cords as desired into the sliding tray and insert it into the assembly. (Fig 1) See "Cord Management" for details.

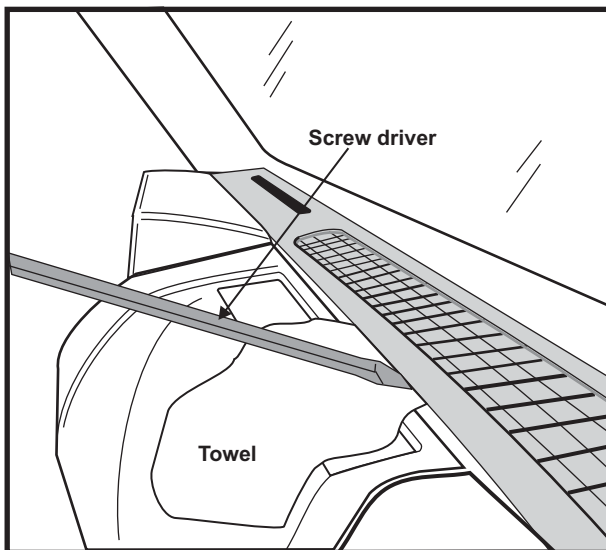
C) Install the front body section onto the rear body section then insert the head unit and use the 4 sheet metal screws to hold the assembly together loosely. **NOTE:** Be sure the bottoms of the front and rear sections are flush.

D) Now adjust the final position of the radio into the assembly and tighten the screws on the sides. Position so it is far enough forward to be easily accessible but not interfere with the face when installed.



Complete assembly

Installation

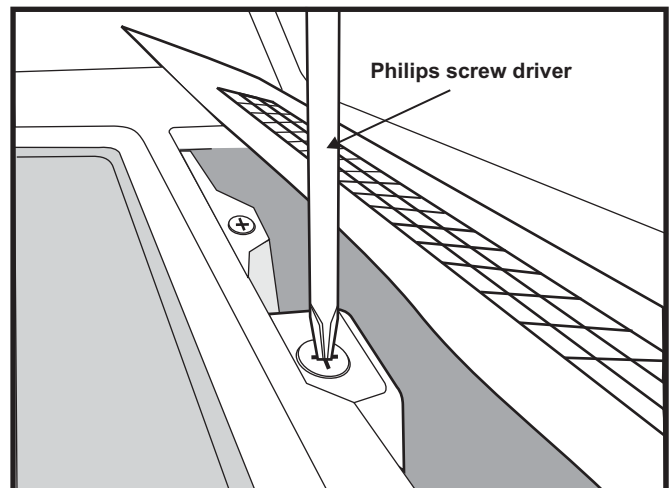


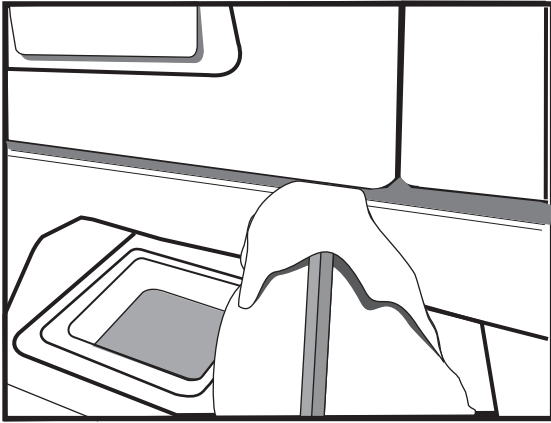
STEP 2

Carefully insert screw driver under edge of dash panel as shown using a towel to protect the surfaces from damage. Pry up the clips across the top of the dash and move the panel out of the way to access the screws for the top of the radio surround.

STEP 3

Use a Philips screw driver to remove the two screws under the dash panel holding the top of the radio surround.



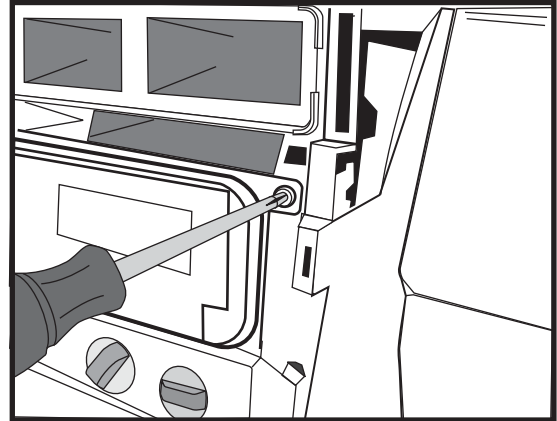


Step 4

Use a flat head screw driver to pry the base of the radio surround loose and remove it. Wrap the screw driver in a towel to protect the surround.

Step 5

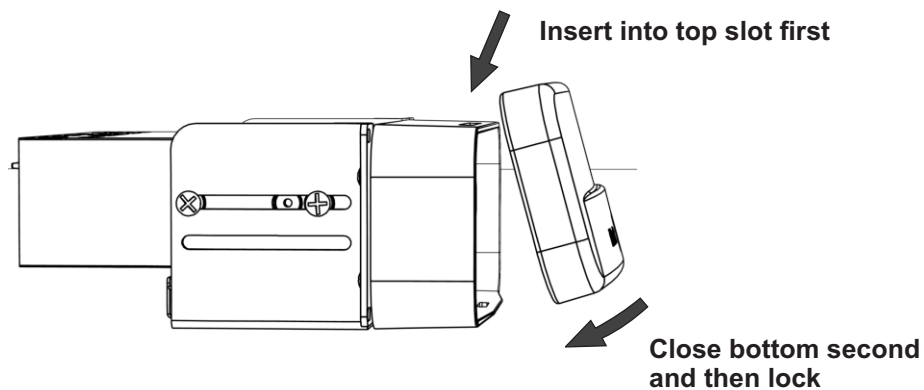
Remove the four screws holding the factory radio in place and remove it. Be careful not to damage the wiring when unplugging the harness.



Step 6

- A) Install the completed radio assembly into the dash using the factory mounting locations and hardware. **NOTE:** Follow the radio manufacturers instructions for wiring requirements.
- B) Re-install the radio surround by pressing the clips into the locations on the dash.
- C) Re-install the dash top by pressing the clips into the locations on the dash.

OPERATION



Once face is installed use key to lock in place. Be sure lock is in open position before installing, do not force face assembly in place. If not properly aligned the face may become difficult to lock or remove.

Warranty information

Quadratec, Inc. (the Company) warrants to the original purchaser of this product that should the product or any part thereof, under normal use and conditions, be proven to be defective in material or workmanship within 6 MONTHS from the original date of purchase, such defect (s) will be repaired or replaced or credited at the Companies sole option.

To obtain repair or replacement within the terms of this Warranty, this product is to be delivered with proof of warranty coverage (e.g. Dated bill of sale), specification of defect (s) to the place of purchase or, with prior approval from the Company (Return Authorization is required), freight pre-paid to the Company address listed below.

This warranty does not apply to any product or part thereof which, in the opinion of the Company, has suffered or been damaged through alteration, improper installation, miss-handling, misuse, neglect, accident, or by acts of nature. THE EXTENT OF THE COMPANY'S LIABILITY UNDER THIS WARRANTY IS LIMITED TO THE REPAIR OR REPLACEMENT PROVIDED ABOVE AND, IN NO EVENT, SHALL THE COMPANY'S LIABILITY EXCEED THE PURCHASE PRICE PAID BY PURCHASER FOR THE PRODUCT.

This Warranty is in lieu of all express warranties or liabilities. ANY IMPLIED WARRANTIES, SHALL BE LIMITED TO THE DURATION OF THIS WRITTEN WARRANTY. ANY ACTION FOR BREACH OF WARRANTY HEREUNDER INCLUDING ANY IMPLIED WARRANTY OF MERCHANTABILITY MUST BE BROUGHT WITHIN THE PERIOD OF 6 MONTHS FROM DATE OF ORIGINAL PURCHASE.

IN NO CASE SHALL THE COMPANY BE LIABLE FOR ANY CONSEQUENTIAL OR INCIDENTAL DAMAGES FOR BREACH OF THIS OR ANY OTHER WARRANTY, EXPRESS OR IMPLIED, WHATSOEVER. No person or representative is authorized to assume for the Company any liability other than expressed herein in connection with the sale of this product.

Some States do not allow limitations on how long an implied warranty lasts or the exclusion or limitation of incidental or consequential damage, so the above limitations may not apply to you. This warranty gives you specific legal rights and you may also have other rights, which vary from state to state.

Quadratec, Inc.
1028 Saunders Lane
West Chester PA 19380



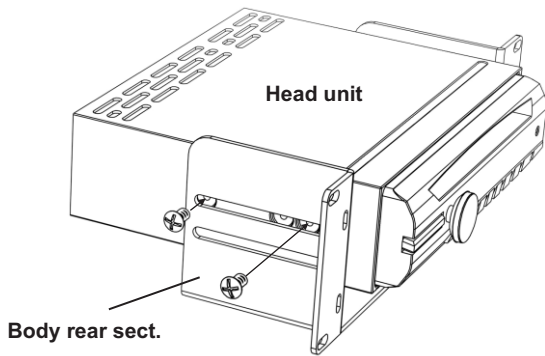
Assembly instructions
iVault Radio Locker
Part# 14026.2310 I-VAULT 03-06 TJ

Included:	Qty.
Front door	1
Body front	1
Body rear	1
Sliding Tray	1

Sheet metal screws	4
Machine screws	4
Felt pads	2
Long sheet metal screws	2

Please read all instructions before beginning assembly

STEP 1



A) Install the two strips of felt on the underside of the head unit as protection for the items carried in the tray when on rough terrain.

B) Install Radio into Body Rear section of mount with four sheet metal screws as shown. Leave slightly loose to allow adjustment in the next step.

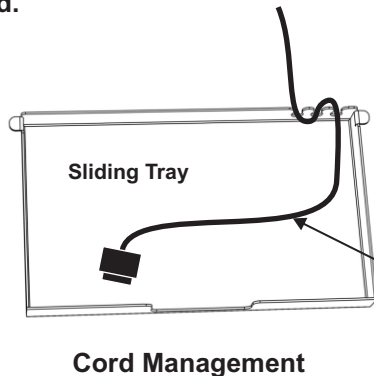
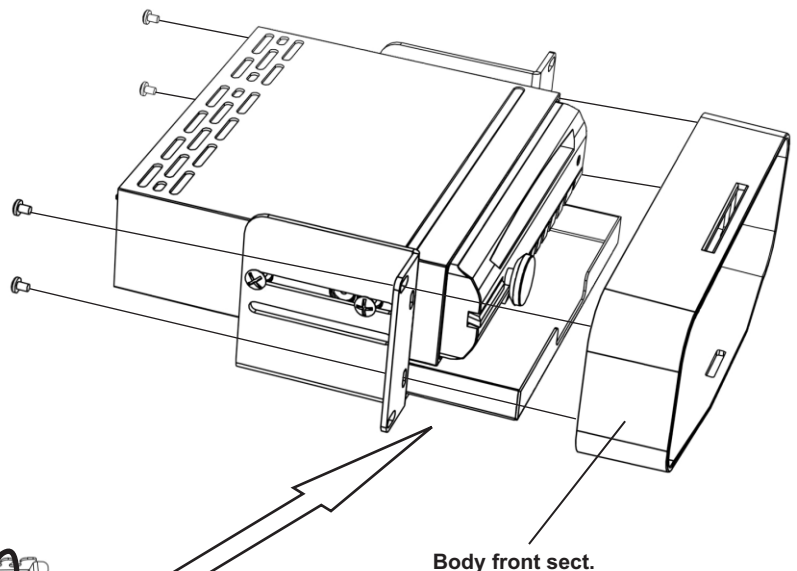
NOTE: some head units will have different fasteners on the side of the case and should come with the appropriate fasteners, use the appropriate fastener for the installation. Included in this kit are two lengths of fastener to aid installation. Use the shortest screw possible to ensure no damage to the head unit internally.

STEP 2

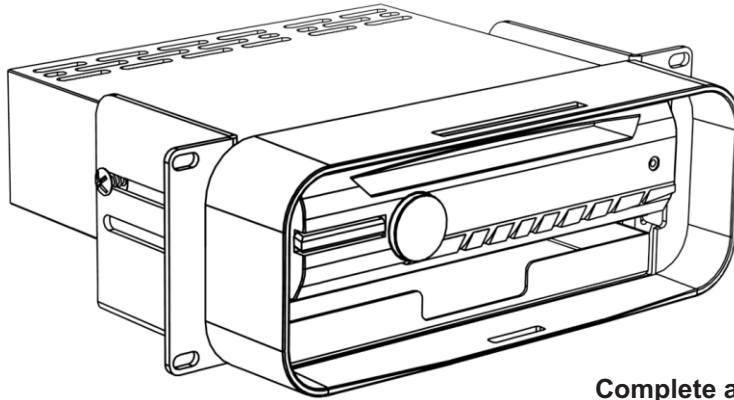
A) Install any cords as desired into the sliding tray and insert it into the assembly from step 1 as shown. (See below for cord detail)

B) Install the front body section onto the "step 1 assembly using the four small machine screws. **NOTE:** Be sure the bottoms of the front and rear sections are flush.

C) Now adjust the final position of the radio into the assembly and tighten the screws on the sides. Position so it is far enough forward to be easily accessible but not interfere with the face when installed.

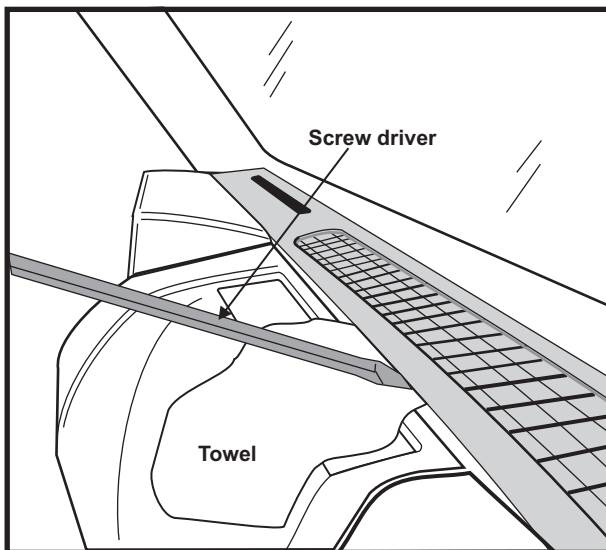


NOTE: Insert the desired cord as shown to keep it from falling out of the drawer and becoming unreachable inside the vehicle dash.



Complete assembly

Installation

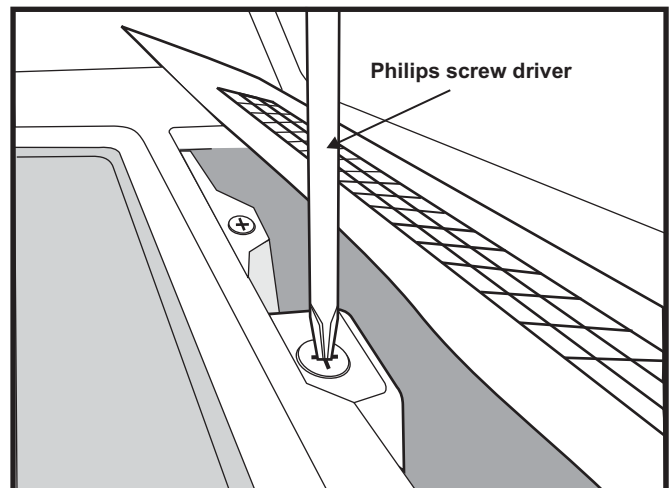


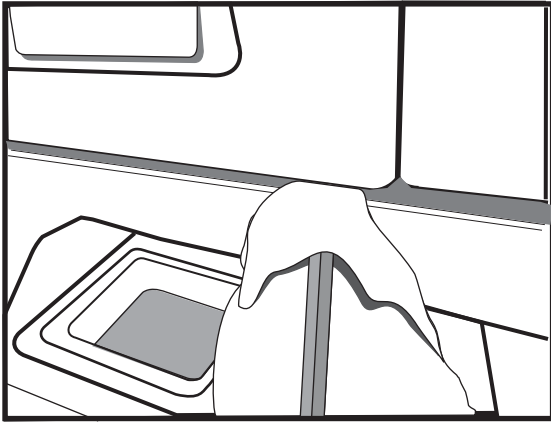
STEP 3

Carefully insert screw driver under edge of dash panel as shown using a towel to protect the surfaces from damage. Pry up the clips across the top of the dash and move the panel out of the way to access the screws for the top of the radio surround.

STEP 4

Use a Philips screw driver to remove the two screws under the dash panel holding the top of the radio surround.



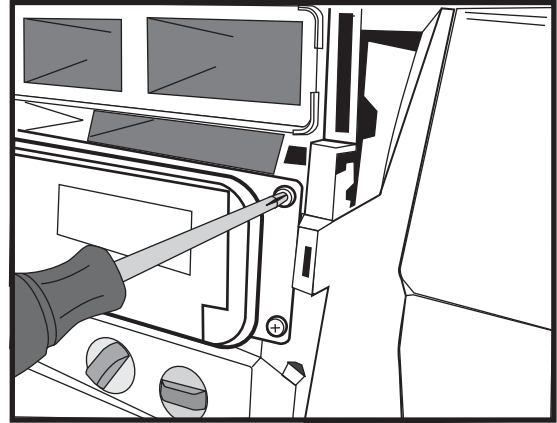


Step 5

Use a flat head screw driver to pry the base of the radio surround loose and remove it. Wrap the screw driver in a towel to protect the surround.

Step 6

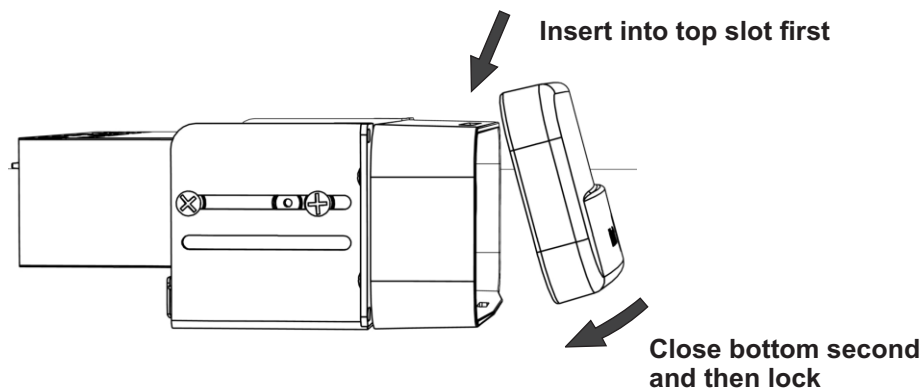
Remove the four screws holding the factory radio in place and remove it. Be careful not to damage the wiring when unplugging the harness.



Step 7

- A) Install the completed radio assembly into the dash using the factory mounting locations and hardware. **NOTE:** Follow the radio manufacturers instructions for wiring requirements.
- B) Re-install the radio surround by pressing the clips into the locations on the dash.
- C) Re-install the dash top by pressing the clips into the locations on the dash.

OPERATION



Once face is installed use key to lock in place. Be sure lock is in open position before installing, do not force face assembly in place. If not properly aligned the face may become difficult to lock or remove.

Warranty information

Quadratec, Inc. (the Company) warrants to the original purchaser of this product that should the product or any part thereof, under normal use and conditions, be proven to be defective in material or workmanship within 6 MONTHS from the original date of purchase, such defect (s) will be repaired or replaced or credited at the Companies sole option.

To obtain repair or replacement within the terms of this Warranty, this product is to be delivered with proof of warranty coverage (e.g. Dated bill of sale), specification of defect (s) to the place of purchase or, with prior approval from the Company (Return Authorization is required), freight pre-paid to the Company address listed below.

This warranty does not apply to any product or part thereof which, in the opinion of the Company, has suffered or been damaged through alteration, improper installation, miss-handling, misuse, neglect, accident, or by acts of nature. THE EXTENT OF THE COMPANY'S LIABILITY UNDER THIS WARRANTY IS LIMITED TO THE REPAIR OR REPLACEMENT PROVIDED ABOVE AND, IN NO EVENT, SHALL THE COMPANY'S LIABILITY EXCEED THE PURCHASE PRICE PAID BY PURCHASER FOR THE PRODUCT.

This Warranty is in lieu of all express warranties or liabilities. ANY IMPLIED WARRANTIES, SHALL BE LIMITED TO THE DURATION OF THIS WRITTEN WARRANTY. ANY ACTION FOR BREACH OF WARRANTY HEREUNDER INCLUDING ANY IMPLIED WARRANTY OF MERCHANTABILITY MUST BE BROUGHT WITHIN THE PERIOD OF 6 MONTHS FROM DATE OF ORIGINAL PURCHASE.

IN NO CASE SHALL THE COMPANY BE LIABLE FOR ANY CONSEQUENTIAL OR INCIDENTAL DAMAGES FOR BREACH OF THIS OR ANY OTHER WARRANTY, EXPRESS OR IMPLIED, WHATSOEVER. No person or representative is authorized to assume for the Company any liability other than expressed herein in connection with the sale of this product.

Some States do not allow limitations on how long an implied warranty lasts or the exclusion or limitation of incidental or consequential damage, so the above limitations may not apply to you. This warranty gives you specific legal rights and you may also have other rights, which vary from state to state.

Quadratec, Inc.
1028 Saunders Lane
West Chester PA 19380