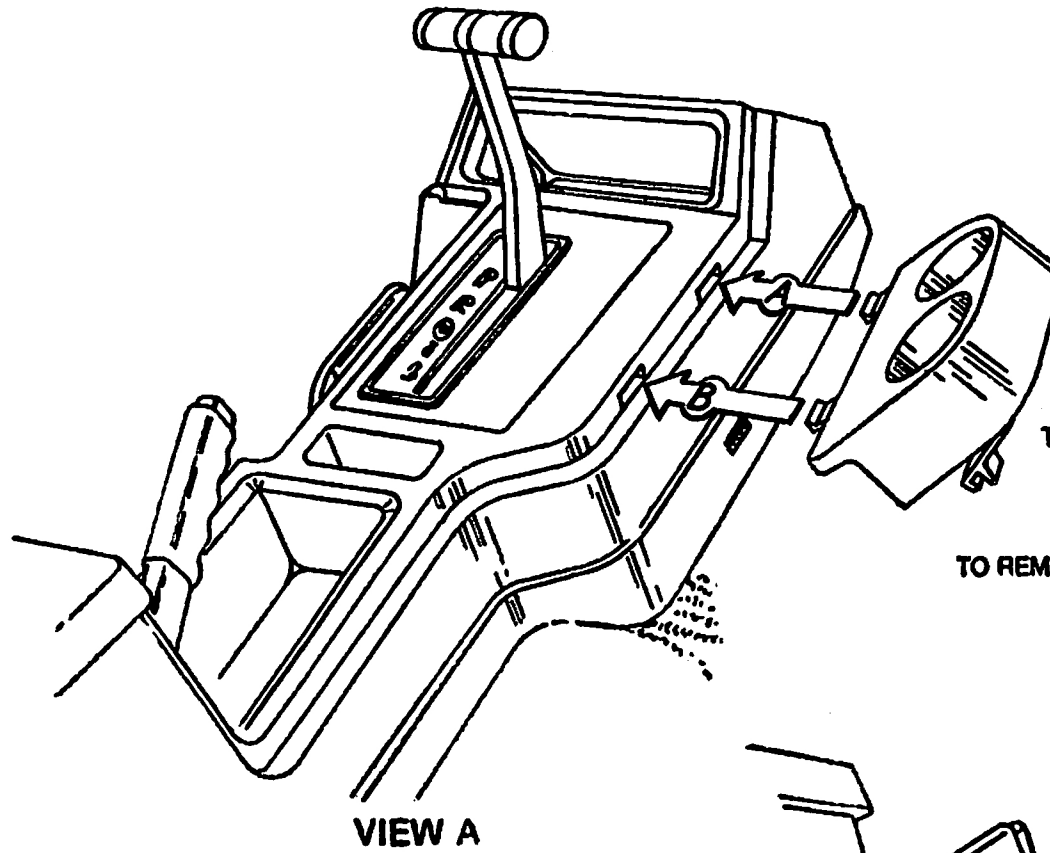


# REMOVABLE CUP HOLDER

5511 5020



**STEP 1. (VIEW A) TO INSTALL THE CUP HOLDER, INSERT THE TWO TABS NEAR THE TOP EDGE INTO THE SLOTS (Arrow A & B) PROVIDED NEXT TO THE TRANSMISSION SHIFTER ON THE PASSENGER SIDE.**

**STEP 2. (VIEW B) WHEN THE TABS ARE FULLY INSERTED, REACH UNDER THE CUP HOLDER TO LOCATE THE SUPPORT BAR DEPRESS THIS BAR (Arrow C) AND ROTATE THE CUP HOLDER DOWNWARD TO INSERT END OF BAR IN THE OPENING PROVIDED IN THE FLOOR CONSOLE TRIM PANEL.**

**TO REMOVE CUP HOLDER, DEPRESS SUPPORT BAR (Arrow C) AND ROTATE CUP HOLDER UPWARD AND PULL TABS FROM SLOTS.**

