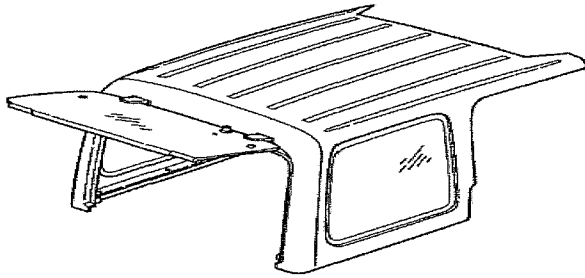
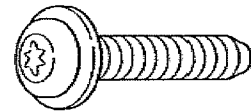
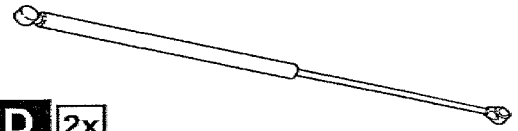




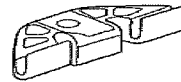
JEEP WRANGLER Hard Top



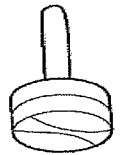
D 2x



E 8x ONLY 6 REQUIRED ON 2-DR HARDTOP



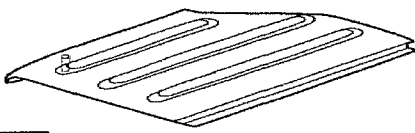
F 6x



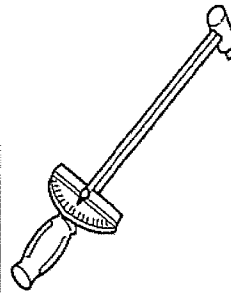
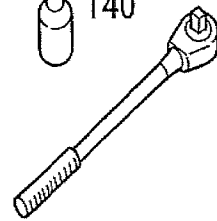
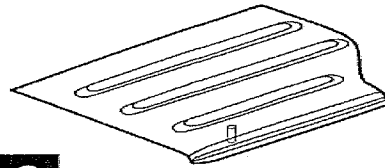
G 2x

A

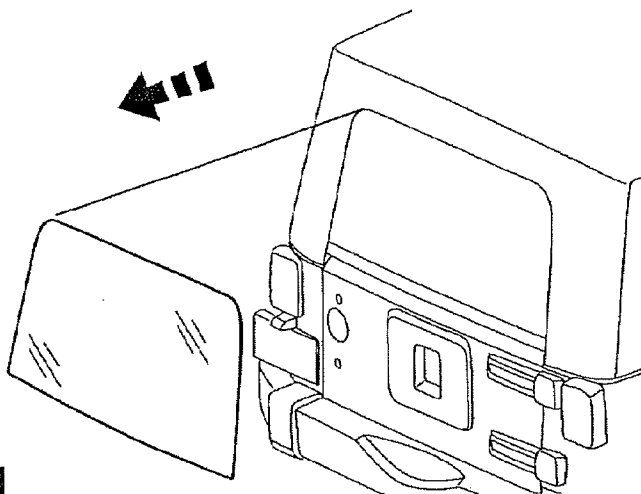
B



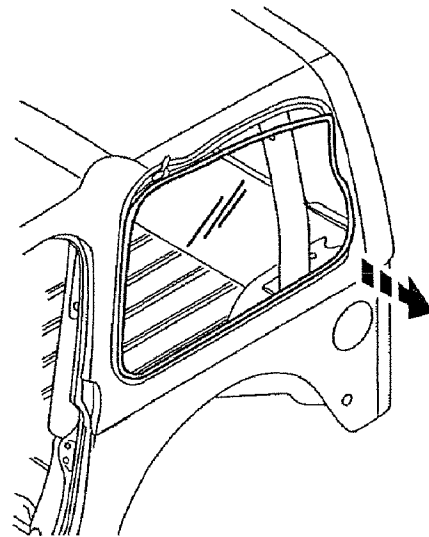
C



To Remove Soft Top:

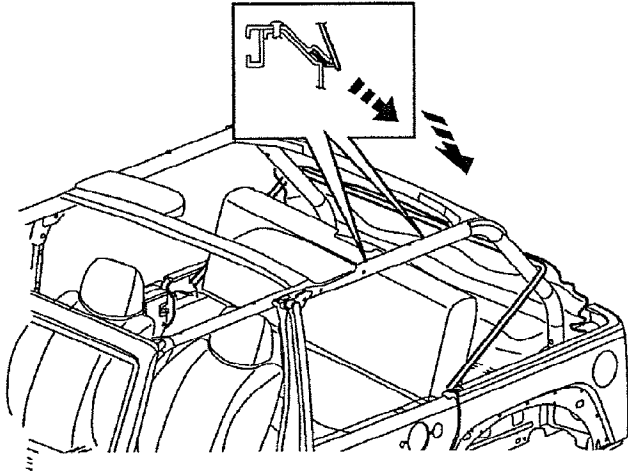


1



2 REMOVE BOTH SIDE VINYL WINDOWS.

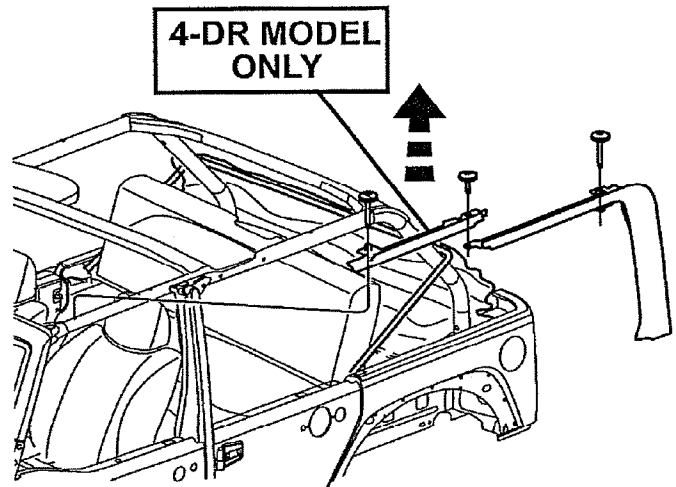
4-DOOR MODEL SHOWN



REMOVE TAILGATE BAR
TOP IS DISENGAGED ALONG THE SIDES AND
IN REAR SO IT CAN BE FOLDED AND STORED

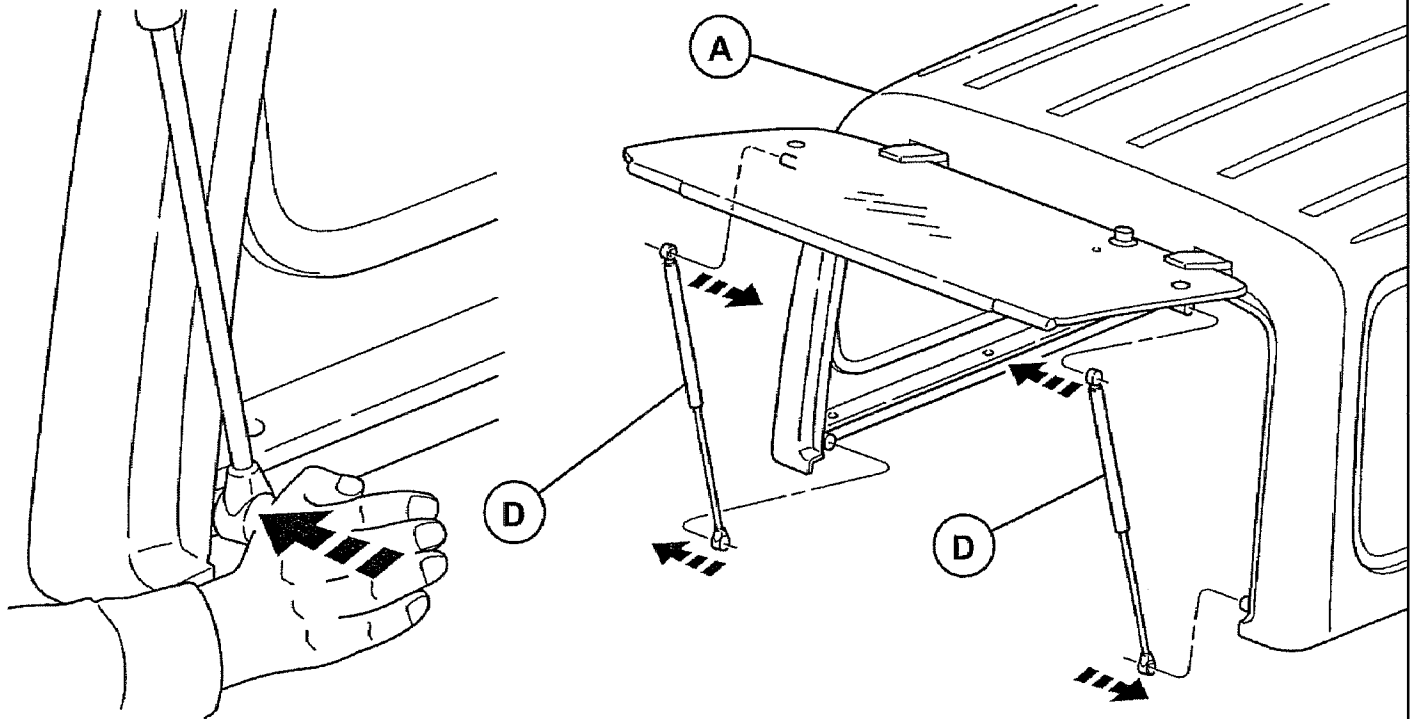
3

4-DOOR MODEL SHOWN

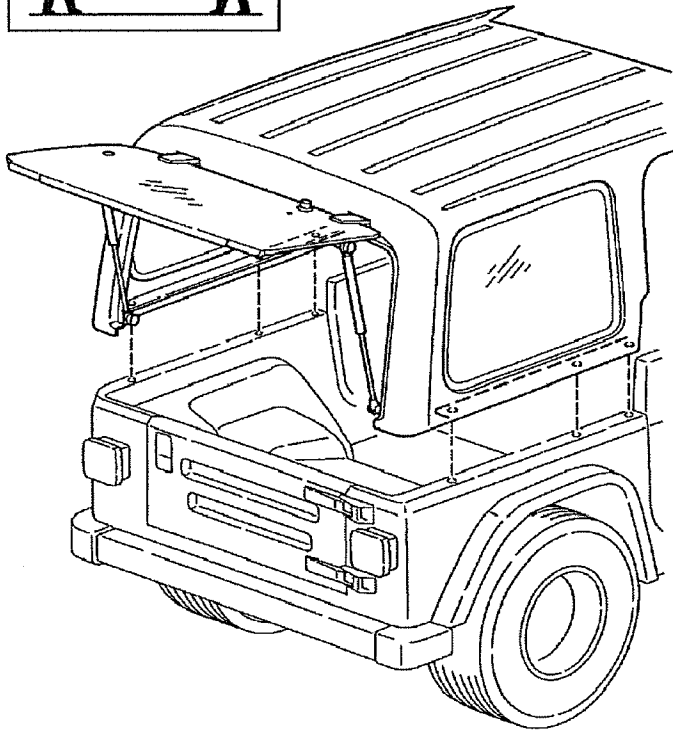
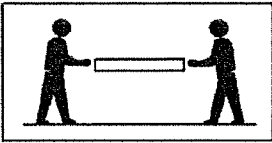


REMOVE THE SOFT TOP RAIL RETAINERS AS
SHOWN (2-DR MODEL ONLY HAS 1 RETAINER
PER SIDE)

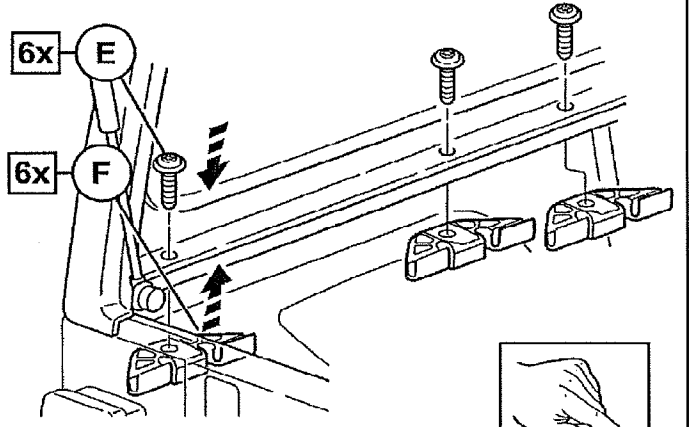
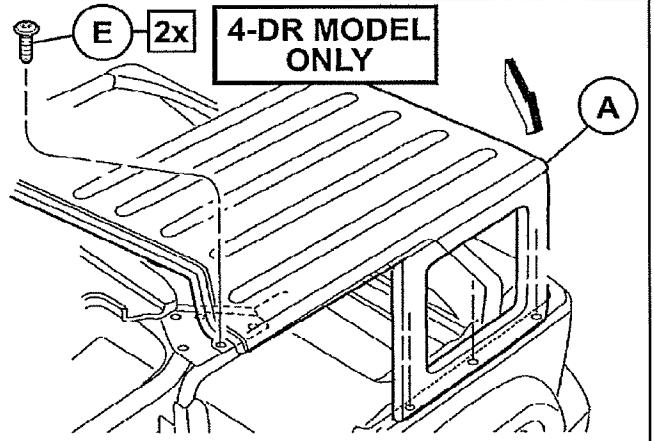
4



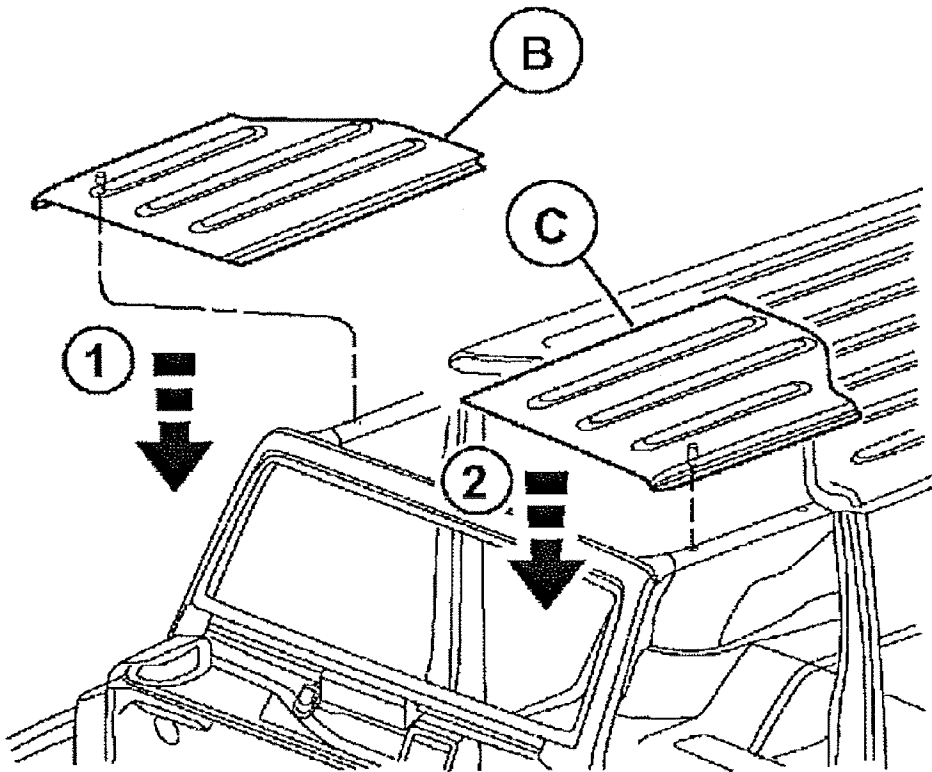
5



6

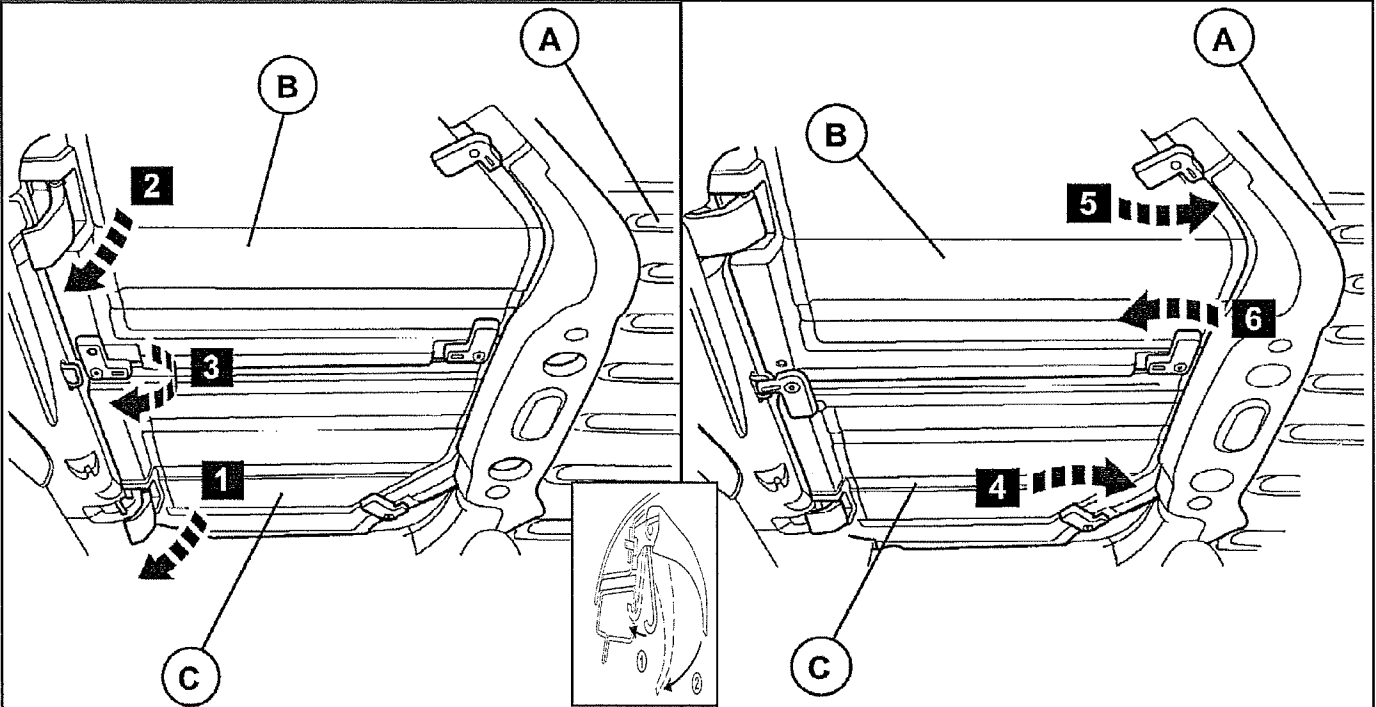


7 FINGER TIGHTEN SCREWS ONLY TO ALIGN ALL (8)



8

SHOWN IN STEPS 9, 10, 11 IS THE RECOMMENDED SEQUENCE OF SECURING YOUR PANEL HARDWARE

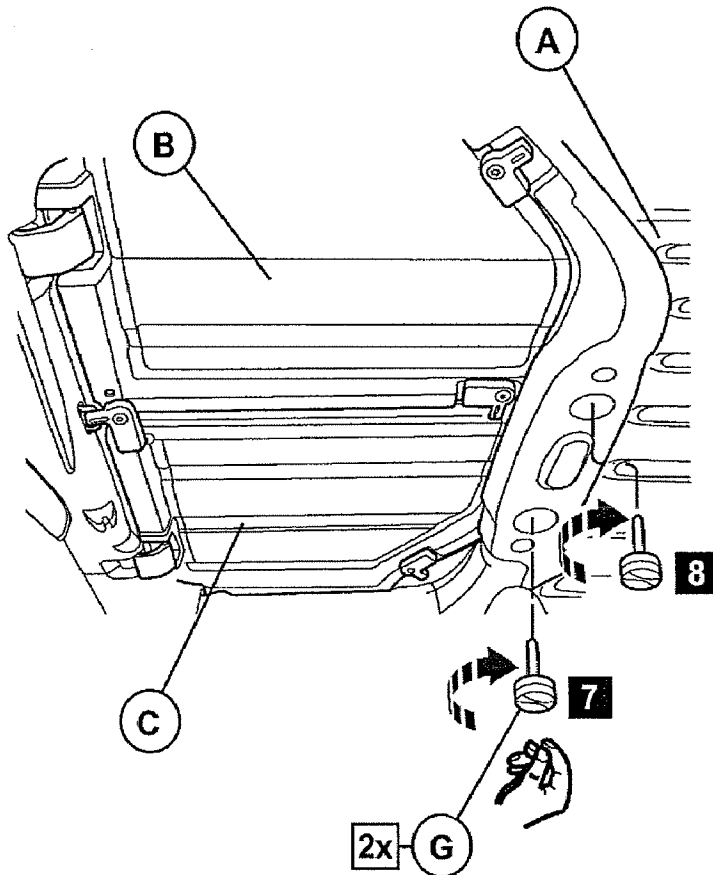


ENGAGE THE FRONT OUTER LATCHES FIRST (SEQUENCE SHOWN) AND THEN, ROTATE THE FRONT CENTER LATCH TO THE "CLOSED" POSITION.

ENGAGE THE REAR OUTER LATCHES FIRST (SEQUENCE SHOWN) AND THEN, ROTATE THE REAR CENTER LATCH TO THE "CLOSED" POSITION.

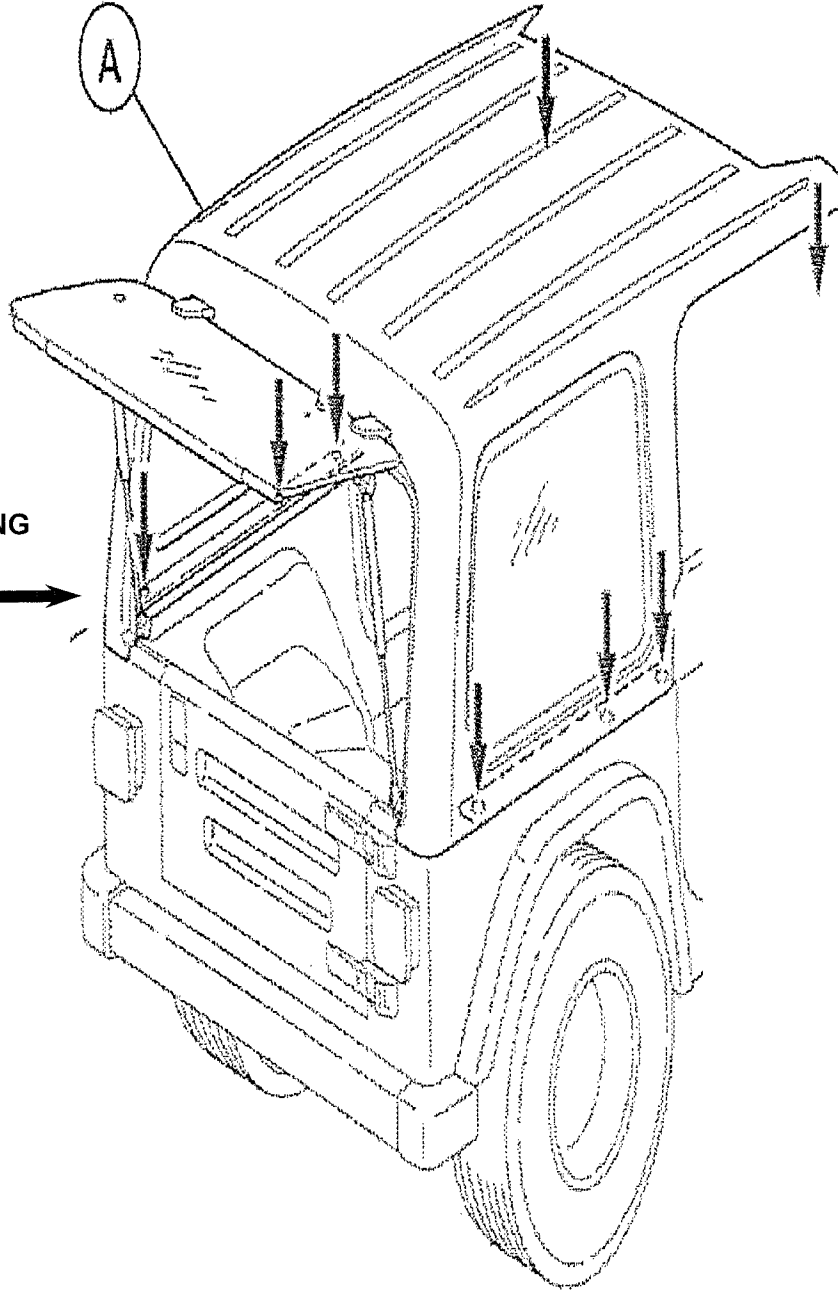
9

10

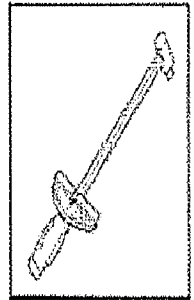
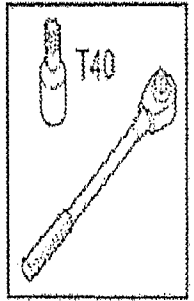


11

A



CONNECT WIRING
AND WASHER
HOSES



E 8x 105 in.-lbs.
(17 N·m)

12