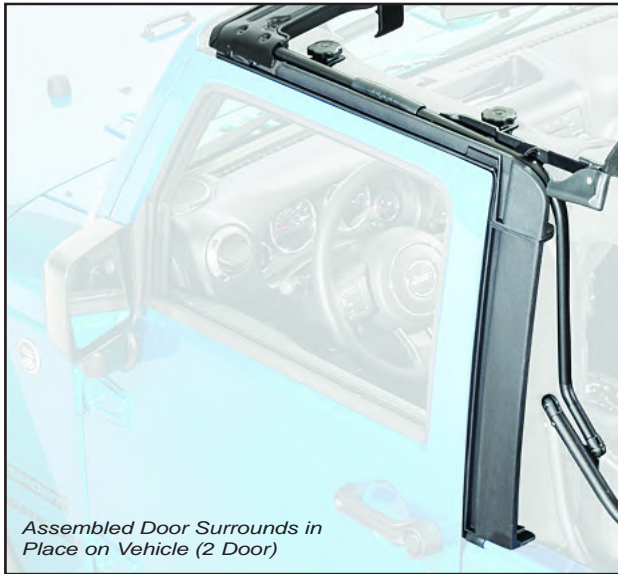




Installation Instructions

Door Surrounds and Tailgate Bar for 2007-2018 Jeep® Wrangler JK 2 Door

Item #15420301



Assembled Door Surrounds in Place on Vehicle (2 Door)



Part List:

A) Driver Side Door Surround	QTY 1
B) Passenger Side Door Surround	QTY 1
C) Door Surround Knobs	QTY 4
D) Tailgate Bar with Clips	QTY 1
F) Allen Head Screws	QTY 2
G) 4mm Allen Head Wrench	QTY 1
H) Trash Bag	QTY 1

Required Tools:

Safety Glasses

NOTICE

This Door Surround and Tailgate Bar kit is designed to fit on your 2 Door JK Wrangler when the hard top or original soft top has been completely removed. Before beginning your installation of this product, carefully remove your hard top or current soft top hardware. This hardware system is designed to be used with MasterTop Cable style Bimini Tops, Tonneau cover and Wind Stopper Plus roll bar curtain. It can also be used with other brands Bimini tops and other accessories.

WARNING

Loss of vehicle control involves risk of death or serious injury, particularly to parts of your body not restrained within vehicle. This product is intended for weather protection only and should not be relied upon to contain occupants in the event of an accident or to protect from either ground contact or falling objects. To reduce risk of accident or injury:

- ALWAYS WEAR SEATBELTS
- Always keep head, arms & body parts within vehicle.
- Fully secure or stow the soft top before driving according to instructions. Never try to latch or fold soft top while driving. Do not use if damaged or worn.
- Read and follow all instructions & warnings accompanying this product, in your vehicle owner's manual and Off Road Driving Supplement.

CAUTION

RISK OF EYE INJURY. Safety glasses should be worn at all times while installing or maintaining this product.



Important Safety information

Your MasterTop® Door Surrounds and Tailgate bar are intended to provide a mounting platform for fabric accessories or a MasterTop Soft top bow assembly. Before installation, please take a moment to review the following safety information and installation instructions. Important safety information is generally preceded by one of three signal words indicating the relative risk of injury. The signal words mean:

WARNING a hazardous situation which, if not avoided, could result in death or serious injury. You CAN be KILLED or SERIOUSLY HURT if you don't follow instructions.

CAUTION a hazardous situation which, if not avoided, could result in minor or moderate injury. You CAN be moderately HURT and also may suffer property damage if you don't follow instructions.

NOTICE Careful attention is required to this instruction or operation but does generally not relate to personal injury. Damage to your Quadratec® product or other property may result if you don't follow instructions.

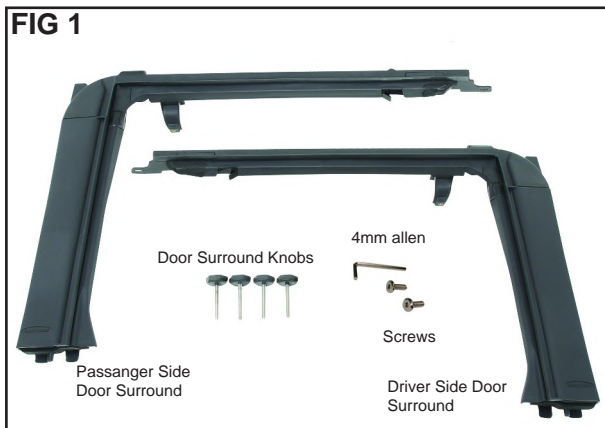
Before you begin Installation:

We are excited that you have chosen the MasterTop Door Surrounds and Tailgate Bar. This high quality door surround system is designed to provide a platform for the installation of a fabric soft top Bow system or soft accessories. Please note that it is important that you become familiar with the installation process of this top by reading the following instruction sheet and warnings thoroughly.

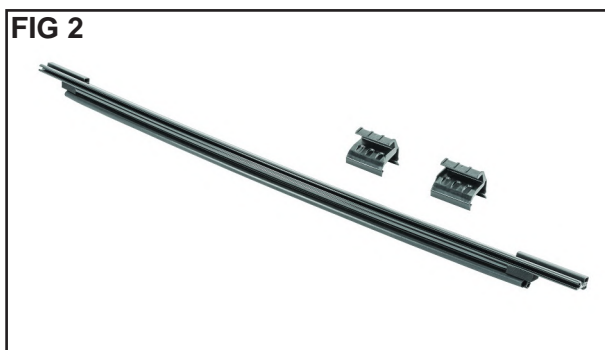
When unpacking, check to make sure all parts are included.

If any part is missing or broken, please call MasterTop customer service at 720-575-5440.

Un-packing and Organizing the Door Surrounds



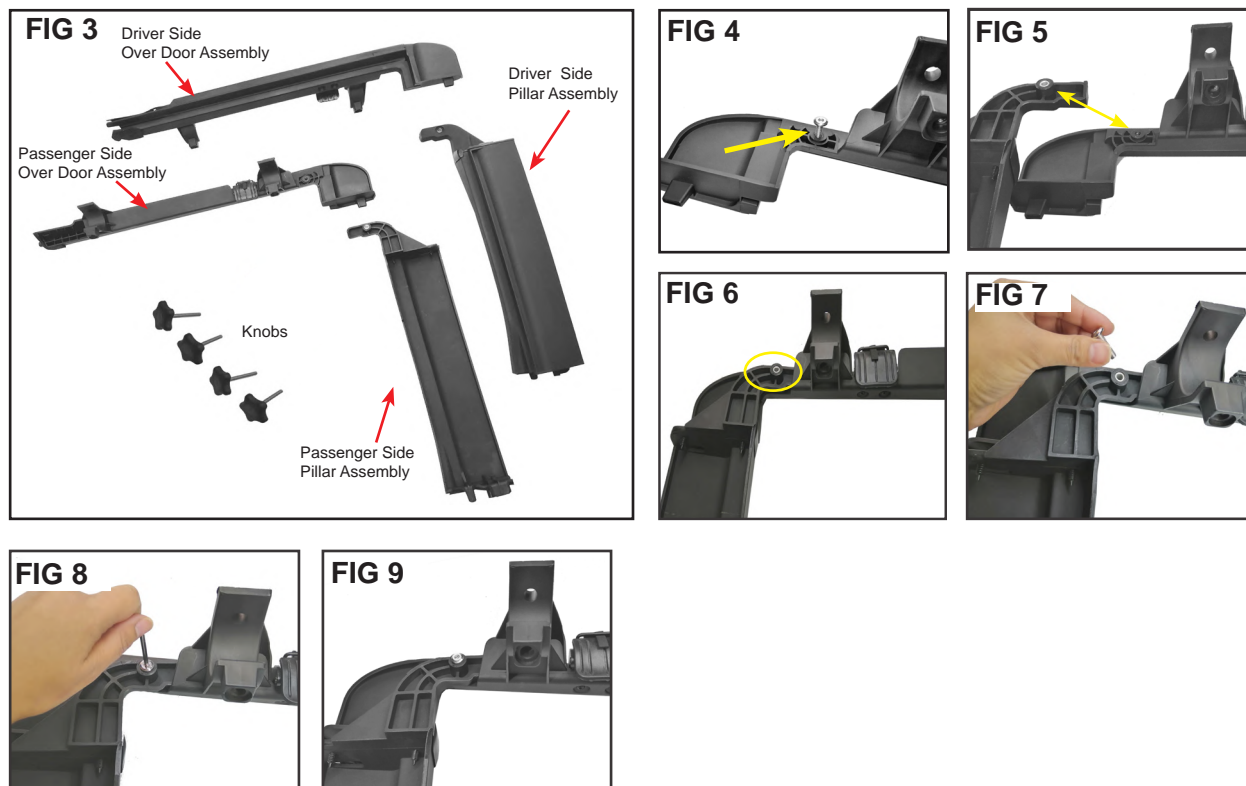
Put on safety glasses. Carefully remove all product onto the ground on top of a soft towel. The box contains front door surrounds and hardware. Carefully remove the contents of each box organizing them as shown in FIG1 making sure the passenger side and driver's side components are separated.



Separate out the Long Tailgate bar and plastic clips as well and set aside (Fig 2).



Section 1: Door Surround Assembly



Step 1: Pillar and Over Door Surround Assembly

Locate the Driver's side over door assembly and the driver's side pillar assembly shown in FIG3.

In the Driver's side over door assembly, there is a screw installed for shipping (Fig 4). Remove this screw and set aside. Line up the Driver's side over door assembly and the driver's side Pillar assembly as shown in Fig 5 & 6 making sure the holes line up. Insert the screw over the top of the hole as shown in Fig 7. Tighten this screw using the included 4mm Allen head tool securing the two pieces (Fig 8 & 9).

Repeat the above assembly on the Passenger side over door and pillar assemblies.



Section 1: Door Surround Assembly

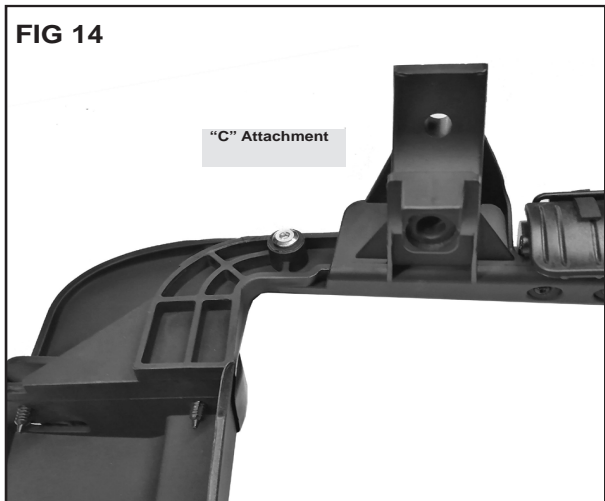
**Step 2: Install Door Surrounds to Jeep**

Locate the assembled Driver's side door surround (FIG10). On the bottom of the vertical pillar portion of the assembled door surround is a pin (FIG 11) that will be inserted into the body tub.

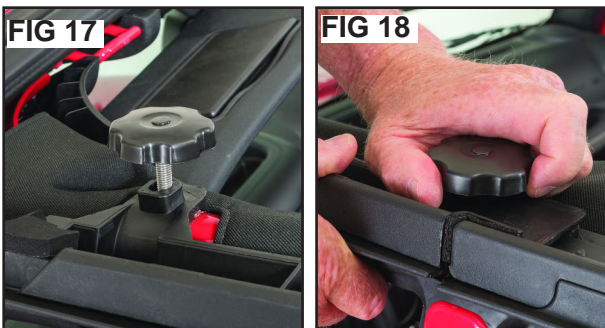
Insert this pin into the body tub as shown in FIG's 12 & 13. After inserting the pin, locate the upper portion of the door surround "C" attachment and push onto roll bar (FIGS 14 & 15). Make sure the front seal is snug against the windshield seal as shown in FIG16.

The "C" should fit in the cutout of the roll bar pad.

Repeat this procedure on passenger side door surround.



Section 1: Door Surround Assembly

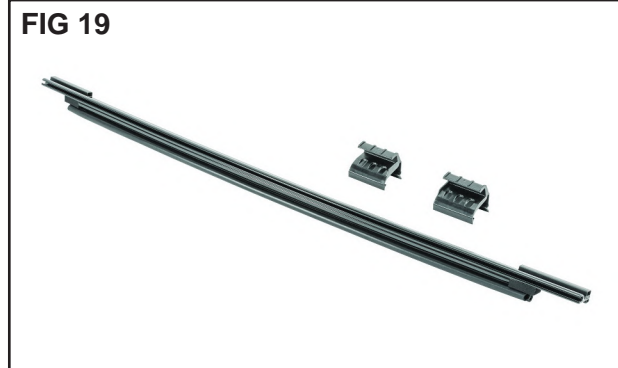
**Step 3: Secure Front Door Surrounds to Roll Bar**

Locate the two sets of screw knobs . There should be (2) sets of two knobs. Line up the door surround "C" attachment holes with the vertical holes in the roll bar. Slip the front knob through the hole in the front door surround (FIG17). Tighten the knob securing the front door surround. Repeat this procedure on the back of the door surround and on the other side of the vehicle. Finally, tighten all four knobs. All knobs on both sides of the vehicle should be secured to the roll bar.

This completes the installation of the door surrounds to your vehicle.

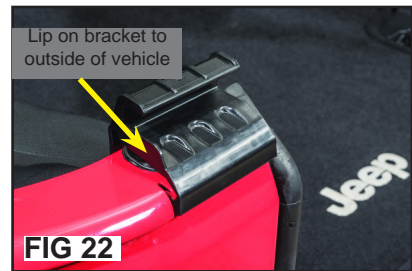


Section 2: Installation of Tailgate Bar Brackets and Tailgate Bar



Step 4: Attaching the Tailgate Brackets and Tailgate Bar
 Locate the Tailgate bar and brackets (FIG 19). Locate the driver's side bracket (marked on the bracket) with the lip to the outside of the vehicle(FIG 20) line up the bracket with the slot in the body tub(FIG 21 & 22) hook the rear portion of the bracket to the body tub and roll the bracket forward until it clicks.

Repeat this procedure on the passenger side. See the soft top or soft accessory instruction sheet for the proper installation of the tailgate bar into these brackets with the fabric installed.



Section 3: Installation of Trash Bag



Step 5: Attaching the Trash Bag to the spare tire

Locate the trash Bag (FIG 23). Wrap the long strap wrap around your spare tire as shown in fig's 24 & 25, then tighten it down with the buckle on the other side of the bag. Fig 26 & 27.



**ShadeMaker™
Bimini Top Plus**



**NEW! Freedom Mesh Tops
are designed to work with
Hardtop Wrangler!**



**2 Door
ShadeMaker™
Mesh Bimini Top**



**2 Door ShadeMaker™
Mesh Bimini Top Plus**

ShadeMaker™ Mesh Bimini & Bimini Plus Top by Master-

Block harsh sun rays while keeping the open air experience that you enjoy with a ShadeMaker Mesh Bimini or Mesh Bimini Plus Top. The NEW Freedom Mesh tops are designed to work with hardtop model Wranglers, allowing you to keep your mesh top on while using your hardtop. The easy on and off MasterTop ShadeMaker Mesh Bimini provides generous coverage over the front seats while the ShadeMaker Mesh Bimini "Plus" extends further comfort and protection to back seat passengers. There's no header channel or tools required to install. ShadeMaker Mesh tops are constructed of extra durable mesh fabric originally developed for commercial trucking to keep cargo in place. The mesh weave blocks up to 70% of the sun's harmful UV rays and features heavy duty webbing at the edges providing super strong attachment points that are not seen on the competitors. Available in Black or Red mesh colors.

Shade Maker Mesh Bimini Tops for '07-'18 JK Wrangler 2 Door

Front Mesh Bimini Top # 1420030X
Front Freedom Mesh Bimini Top #1420130X

Shade Maker Mesh Bimini Top Plus

For '07-'18 JK Wrangler 2 Door #1422030X
For '07-'18 JK Wrangler 4 Door # 1422040X
Choose Black or Red

Freedom Mesh Bimini Top Plus

Freedom Mesh for '07-'18 JK Wrangler 2 Door #1422130X
Freedom Mesh for '07-'18 JK Wrangler 4 Door # 1422140X
Choose Black or Red





Limited 3 Year Warranty

Your MasterTop® accessory is covered by the following Limited Warranty provided exclusively by MasterTop, Inc., 420 J Corporate Circle, Golden, CO 80401.

This Limited Warranty is the only warranty made in connection with your purchase. MasterTop neither assumes nor authorizes any vendor, retailer or other person or entity to assume for it any other obligation or liability in connection with this product or Limited Warranty. This Limited Warranty does not apply and is not cumulative to any accessory or part distributed by any MasterTop distributor for which the Manufacturer provides a separate written warranty.

What is Covered: Subject to the terms, exclusions and limitations herein and with respect only to MasterTop branded accessories first sold in the United States, MasterTop warrants to the initial retail purchaser only that your MasterTop accessory shall be free of defects in material and workmanship; **for a period of 3 years from date of initial retail sale.**

All other warranties are hereby disclaimed, except to the extent prohibited by applicable law in which case any implied warranty of merchantability or fitness for a particular purpose on this product is **limited to 3 years from date of initial retail sale.** MasterTop reserves the rights to: (a.) require invoice or other proof your product is within the terms of this Limited Warranty as a condition of warranty service and, (b.) make future revisions to this product and Limited Warranty without prior notice or obligation to upgrade your product.

What is Not Covered: Your MasterTop Limited Warranty does not cover products or parts MasterTop determines to have been damaged by or subjected to: (a.) installation damage, alteration, modification, failure to maintain or attempted repair or service by anyone not authorized by MasterTop, (b.) normal wear and tear, cosmetic damage or damage from water immersion, (c.) Acts of God, accidents, misuse, negligence, inadequate mounting or impact with vehicle(s), obstacles or other aspects of the environment, (d.) theft, vandalism or other intentional damage, (e.) fleet, rental or commercial use, (f.) use in competition or racing.

Remedy Limited to Repair/Replacement: The exclusive remedy provided hereunder shall, upon MasterTop inspection and at MasterTop's option, be either repair or replacement of product or parts (new or refurbished) covered under this Limited Warranty. Customers requesting warranty consideration on MasterTop Products should first contact MasterTop to obtain a RGA number (720-575-5440). All labor, removal, shipping and installation costs are customer's responsibility.

Other Limitations - Exclusion of Damages

- Your Rights Under State Law:

In consideration of the purchase price paid, neither MasterTop nor any independent MasterTop distributor /licensee are responsible for any time loss, rental costs, or for any incidental, consequential, punitive or other damages you may have or incur in connection with any part or product purchased. Your exclusive remedy hereunder for covered parts is repair/replacement as described above.

This Limited Warranty gives you specific rights. You may also have other rights that vary from state to state. For example, some states do not allow limitations of how long an implied warranty lasts and/or do not allow the exclusion or limitation of incidental or consequential damages, so the limitations and exclusions herein may not apply to you.

© MasterTop, Inc. 2021. All Rights Reserved. The terms MasterTop® and MasterTwill® are Registered Trademarks of MasterTop Incorporated, Registered in U.S. Patent and Trademark Office.

www.MasterTop.com

Part # 941064.01 Version 10.7.23 LTR

