

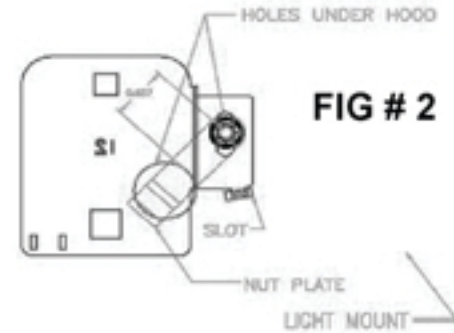


CFE PRODUCTS
AUTOMATIC UNDER HOOD LIGHT
MODEL #JK-UHL2011
Jeep Wrangler JK
2011 & UP



If your Jeep is equipped with the sound deadening insulation under the hood, you will have to locate the mounting hole in the hood and cut a small hole in the insulation to gain access.

1. Remove fuse from hood light harness fuse holder.
2. Locate screw hole as shown in figure 1.



3. Align hood light bracket and nut plate with hole and install supplied screw as shown in figure 2. It is almost impossible for one person to hold the nut plate and light bracket and align the screw at the same time. It is recommended that a second person assists in holding the light in place while the screw is installed.
4. Rotate the Light Bracket to give you room to hold the nut plate in place to start the screw as shown in figure 3. Only turn screw one turn to get it started.



5. Rotate the Light Bracket into the finished position. The Locking Tab will fit into the slot on the hood as shown in figure 4.

6. Tighten the screw the rest of the way.

7. Install ground wire, BLACK to negative battery terminal.

8. Install RED wire to positive battery terminal.

9. Reinstall fuse. Lift hood to verify the light comes on.

10. Slowly close the hood while watching the light to insure the bulb goes out before the hood is secure.

If you see the light go on and off ...congratulations you have successfully installed your under hood light.



NOTE: If you need to work under the hood for a long period of time, you can turn the hood light off by removing the fuse on the under hood light harness.

Questions or Comments ? call CFE PRODUCTS
@ 610 358 1886 / ASK FOR BOB