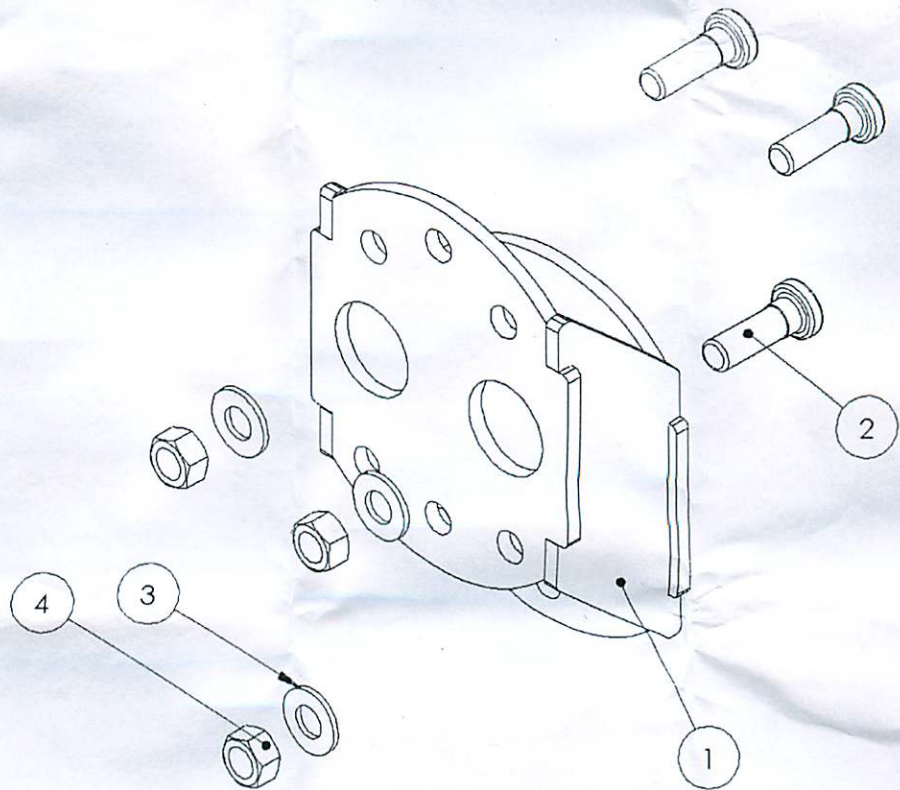


131644

JEEP TJ/JK/YJ TIRE BRACKET KIT

**OFF CAMBER
FABRICATIONS**

by: **MBRP** INC.



1. TIRE BRACKET
2. WHEEL STUD [3 PCS]
3. WASHER [3 PCS]
4. 1/2" NUT [3 PCS]

PLEASE READ BEFORE STARTING INSTALLATION

While MBRP Inc. has made every effort to ensure that all components of this kit are of superior quality and properly packaged, it is the installer's responsibility to ensure the following before starting:

- that ALL components shown above are present.
- that ALL mating components fit together.
- that there are no damaged components.
- that the kit you have purchased is appropriate for your year and model of vehicle.
- that the kit will not interfere with any modifications previously installed or planned.
- that you have read and understand these instructions.

If you have any questions or are uncertain about any aspect of the installation of this kit on your vehicle please contact your dealer before commencing installation.

OFF CAMBER FABRICATIONS

by: **MBRP** INC.

131644 Jeep JK TJ YJ Spare Tire Bracket Kit

1. This kit is designed to fit multiple Jeep models with different wheel bolt patterns. Install the wheel studs in the appropriate holes for your Jeep.

Refer to Figure 1.

2. Install the wheel studs from behind in the appropriate holes and use the supplied 1/2" Nuts and a suitable spacer to pull the studs into the bracket. An impact gun works best for this step.

Refer to Figure 2.

3. Remove the spare tire and install the OCF Tire Bracket onto the OEM tire bracket and secure with the supplied 1/2" Nuts and Washers.

4. Install your spare tire onto the OCF Tire Bracket using the OEM wheel nuts.

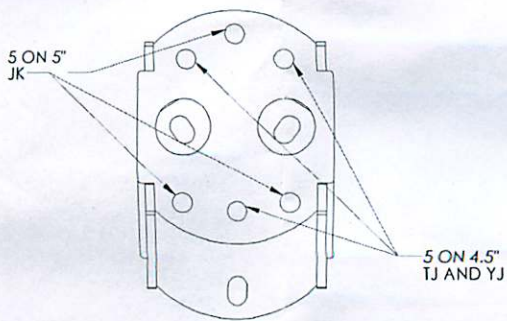
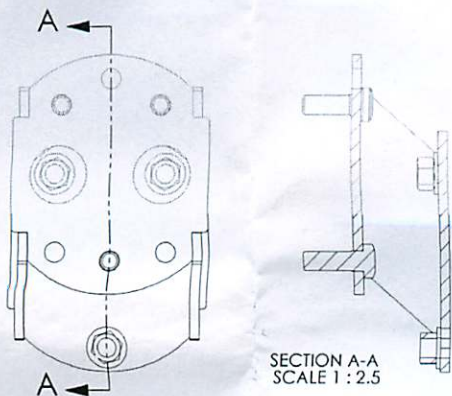


Figure 1



NOTE: This Tire Bracket Kit is NOT recommended for tires larger than 35\".

