





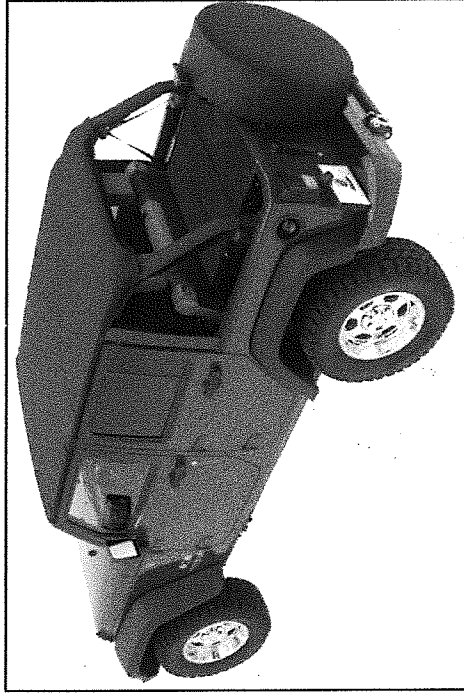


Vehicle Application

- Jeep Wrangler JK Unlimited (4 Door)
2010 to Current

	INSTALLATION TIME
1/4 Hour	
	SKILL LEVEL
	1 2 3 4
	1 - Easy

	UTILITY KNIFE
	TORX WRENCH T-30
	RATCHET
	SOCKET 10 mm
	SAFETY GLASSES




This product must be used with a Windshield Header Kit.


Installation Tips

Before you begin installing this assembly, read all instructions thoroughly.

For a smooth fit:

For ease in installation, the product should be installed at temperatures above 72° F. Below this temperature, the fabric may contract an inch or more, making it difficult to fit to the vehicle. It is normal for fabric to contract and wrinkle when stored in the shipping carton. Within a few days after the installation, the fabric will relax and the wrinkles will disappear.

 **CAUTION**
Safety glasses should be worn at all times while installing this product.

 **WARNING**
This product is designed primarily to enhance the appearance of the vehicle and to shield the occupants from ordinary weather conditions. Do not rely in any way on the components of this product to contain occupants within the vehicle, or to protect against injury or death in the event of an accident. This product will not protect the occupants from falling objects. Never operate the vehicle in excess of manufacturer's specifications.

WEAR SEAT BELTS AT ALL TIMES

Read and follow, precisely, all installation instructions provided when installing product. Failure to do so may result in a poor fit and could place occupants of the vehicle in a potentially dangerous situation.

Installation Instructions

Parts List

Bikini Top Fabric Qty - 1

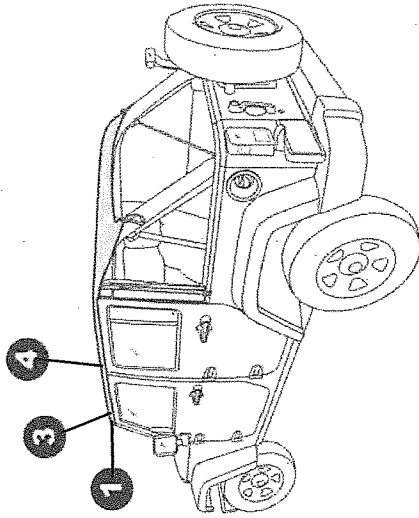
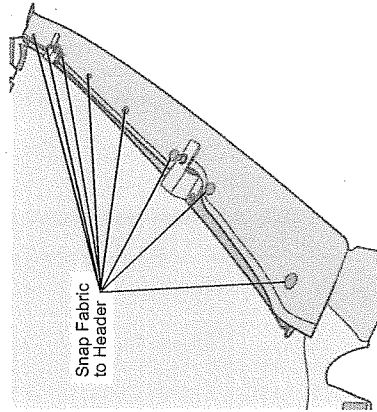
Front Tension Strap, Part Number Qty - 2

Web Strap with Grommet, Qty - 2

M6 x 20mm Bolt, Part Qty - 2

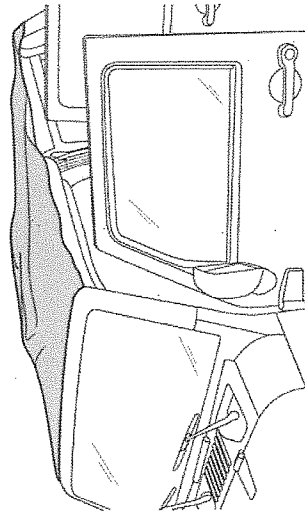
1 Snap Bikini to Header

Slide the pocket sewn along the front of the Bikini over the edge of the header and snap it to the snaps.

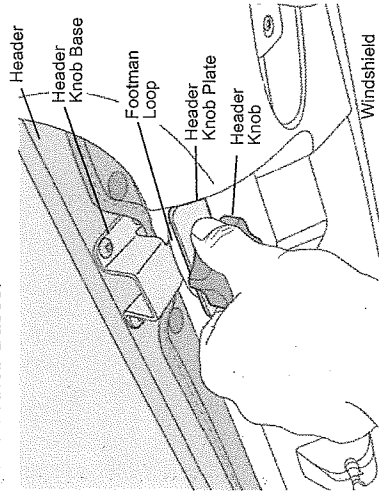


2 Drape Bikini over Vehicle

Drape the Bikini fabric over the vehicle.

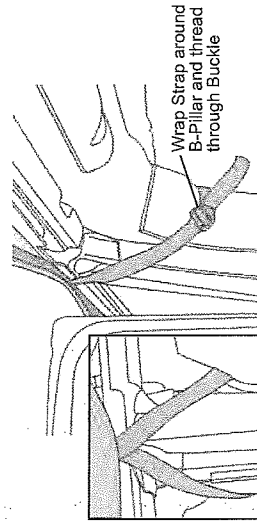


3 Secure Header to Windshield
Center the Bikini on the vehicle. Place the tabs on the Header Knob Bases above the footman loops in the windshield frame. Place a Header Knob Plate under a footman loop. Install a Header Knob through the plate and footman loop and thread it into the Header Knob Base. Repeat this with both Header Knob Bases.



4 Secure B-Pillar Straps

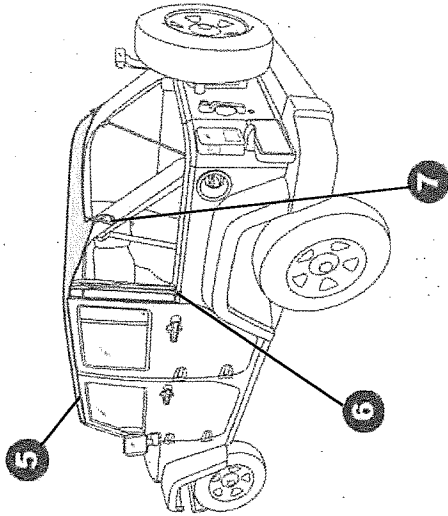
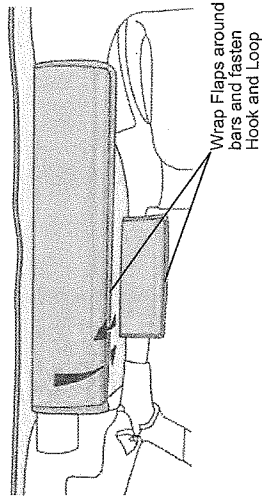
Wrap the strap around the B-Pillar between the front and rear door. Thread the strap through the buckle and pull it tight. Repeat on both sides.



Installation Instructions

5 Secure Flaps

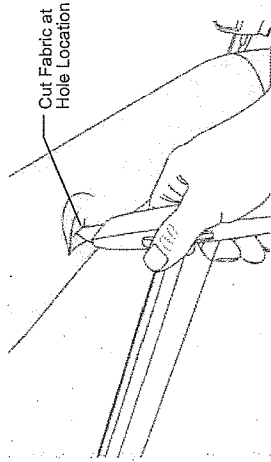
Wrap the flap above the door opening around the horizontal sport bar and fasten the hook and loop. Repeat on both sides.



Vehicles without a Soft Top Pivot Bracket

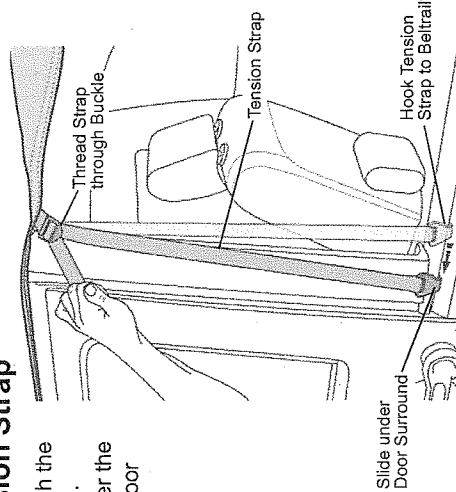
7 Install Web Strap with Grommet

Feel through the sport bar cover and locate the bottom hole in the sport bar. Use a utility knife to cut a hole in the sport bar cover over the location of the hole. Repeat on both sides of the vehicle.



6 Install Side Tension Strap

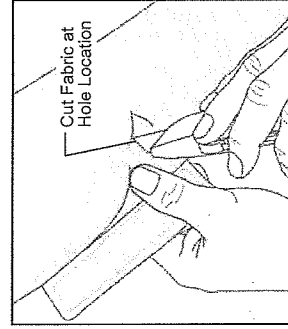
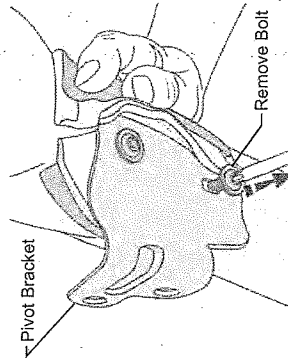
Thread a Tension Strap through the buckle on the side of the Bikini. Hook the end of the strap under the beltrail and slide it under the door surround. Pull the strap tight.



Vehicles with a Soft Top Pivot Bracket

7 Install Web Strap with Grommet

Open the sport bar cover and locate the bottom pivot bracket bolt. Remove the bolt. Use a utility knife to cut a hole in the sport bar cover over the location of the bolt hole. Repeat on both sides of the vehicle.

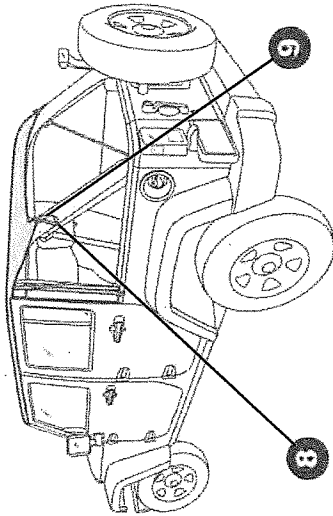
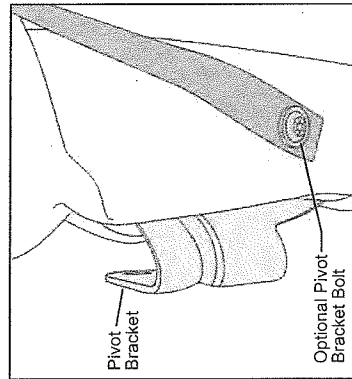
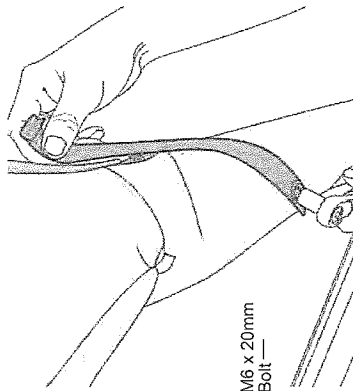


Installation Instructions

8 Install Web Strap with Grommet

Place the grommet in the Web Strap over the hole in the sport bar cover and secure with the M6 x 20mm Bolt. Repeat on both sides.

For vehicles with Pivot Brackets, you may either use the M6 x 20mm Bolt or reinstall the bolt removed from the bracket in Step 7.



9 Thread Web Strap through Buckle

Thread the Web Strap through the Buckle sewn to the Bikini and pull tight. Repeat on both sides.

