



///BESTOP

Tailgate Organizer Installation Instructions

For: Wrangler 1986 - 1993

Part Number: 54120

WEAR SEAT BELTS AT ALL TIMES

Read and follow, precisely, all installation instructions provided when installing tailgate organizer. Failure to do so may result in a poor fit.

Installation Tips

Before you begin installing this Tailgate Organizer, read all instructions thoroughly. Below are a few tips to make this installation easier.

For a smooth fit:

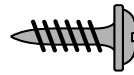
For ease in installation, the Tailgate Organizer should be installed at temperatures above 72° F. Below this temperature, the fabric may contract an inch or more, making it difficult to fit to the vehicle.

It is normal for the fabric to contract and wrinkle when stored in the shipping carton. Within a few days after the installation, the fabric will relax and the wrinkles will disappear.

Parts List and Hardware Identification

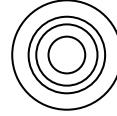
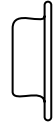
Tailgate Organizer Qty - 1
 "Z" Channel, 25.75" Qty - 1

#8 x 1/2" Phillips Head Screw, Qty - 4, Part Number 200.48



#6 x 3/8" Sheet Metal Screw, Qty - 2, Part Number 9.69

Body Stud, Qty - 2, Part Number 9.68



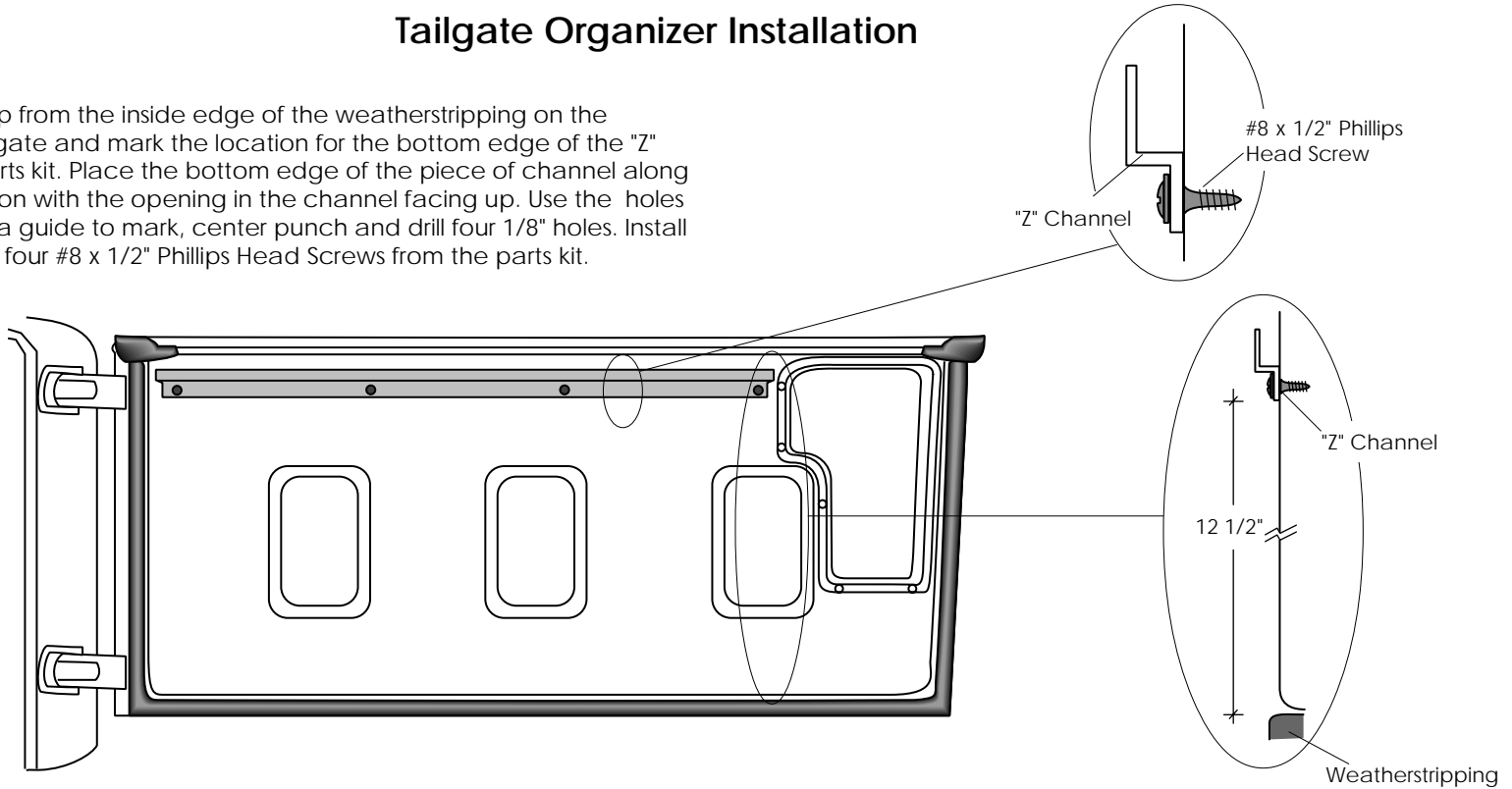
Tools Needed

1/8", 3/32" Drill Bit and Drill Motor
 Phillips Screwdriver
 Pencil
 Tape Measure or Ruler

Tailgate Organizer Installation

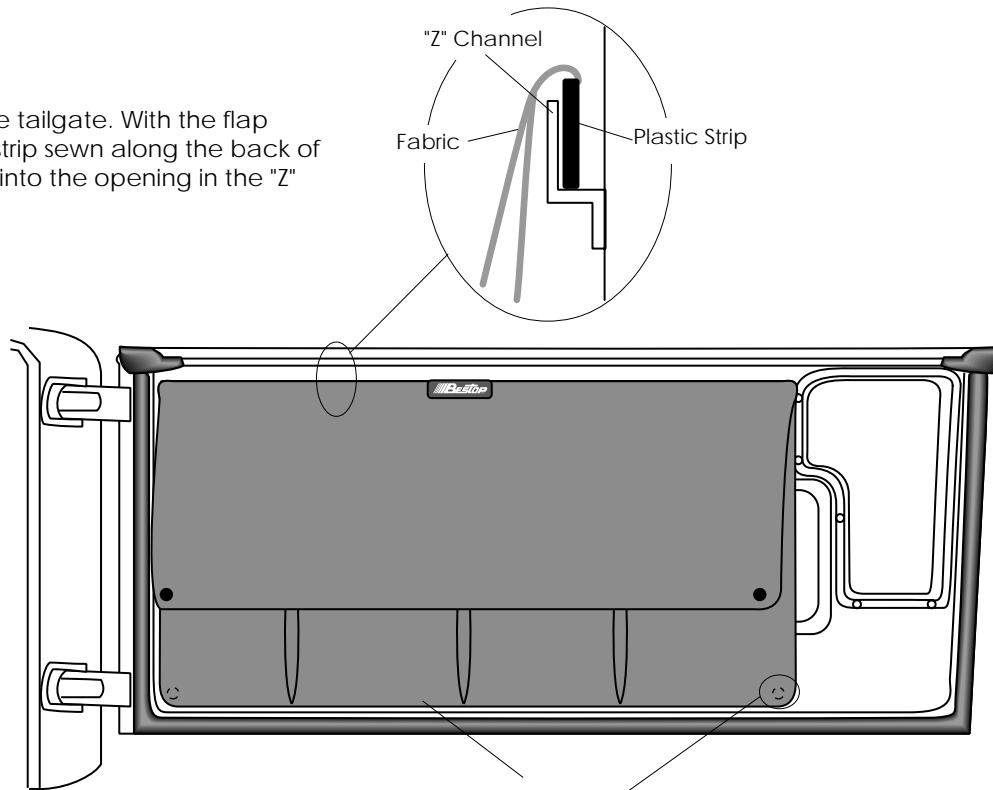
Step One

Measure 12 1/2" up from the inside edge of the weatherstripping on the bottom of the tailgate and mark the location for the bottom edge of the "Z" Channel in the parts kit. Place the bottom edge of the piece of channel along the marked location with the opening in the channel facing up. Use the holes in the channel as a guide to mark, center punch and drill four 1/8" holes. Install the channel using four #8 x 1/2" Phillips Head Screws from the parts kit.



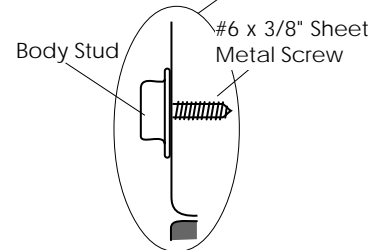
Step Two

Orient the Tailgate Organizer on the tailgate. With the flap toward the top, locate the plastic strip sewn along the back of the organizer. Slide the plastic strip into the opening in the "Z" Channel.



Step Three

With the Tailgate Organizer in the "Z" Channel, locate the two snaps on the back of the organizer, at the bottom. Hold the organizer down straight and snug and use the snaps on the organizer as a template to mark the locations for the Body Studs on the tailgate. Center Punch and drill a 3/32" hole at both locations. Install a Body Stud at each location using a #6 x 3/8" Sheet Metal Screw. Snap the Tailgate Organizer to the studs.



Care and Maintenance of your Bestop Tailgate Organizer

Your Tailgate Organizer is made of the finest materials available. To keep it looking new and for the maximum possible wear, it will need periodic cleaning and maintenance.

Washing: The fabric should be washed often using soap, warm water and a soft bristle brush. Rinse with clear water to remove all traces of soap.

Snaps: Keep snaps cleaned and lubricated with silicone to help prevent snaps from sticking to the studs. If a snap does become stuck to a stud, use a screwdriver and GENTLY pry apart to prevent permanent damage to the snap or the top fabric.

LIMITED WARRANTY

We warrant our product to be free from defects in material and workmanship, for the terms specified below, provided there has been normal use and proper maintenance. This warranty applies to the original purchaser only. All remedies under this warranty are limited to the repair or replacement of any item or items found by the factory to be defective within the time period specified.

If you have a warranty claim, first you must call our factory at the number below for instructions. You must retain proof of purchase and submit a copy with any items returned for warranty work. Upon completion of warranty work, if any, we will return the repaired or replaced item or items to you freight prepaid. Damage to our products caused by accidents, fire, vandalism, negligence, misinstallation, misuse, Acts of God, or by defective parts not manufactured by us, is not covered under this warranty.

THE WARRANTY TIME PERIOD IS AS FOLLOWS: ALL "SOFT GOODS" MANUFACTURED BY OUR COMPANY (USING PRIMARILY VINYL, PLASTICS, AND/OR FOAM): ONE YEAR FROM DATE OF PURCHASE.

ANY IMPLIED WARRANTIES OF MERCHANTABILITY AND/OR FITNESS FOR A PARTICULAR PURPOSE CREATED HEREBY ARE LIMITED IN DURATION TO THE SAME DURATION AND SCOPE AS THE EXPRESS WRITTEN WARRANTY. OUR COMPANY SHALL NOT BE LIABLE FOR ANY INCIDENTAL OR CONSEQUENTIAL DAMAGE.

Some states do not allow limitations on how long an implied warranty lasts, or the exclusion or limitation of incidental or consequential damages, so the above limitations or exclusions may not apply to you.

This warranty gives you specific legal rights, and you may also have other rights which vary from state to state.

For further information or request for warranty work, please contact:

Bestop Inc.
Customer Service
(800)346-3910
(303)465-1755

