



*Manufacturers of Specialty Products
for Sport Utility and 4X4 Vehicles*

316 Millar Avenue; El Cajon, CA 92020
Phone (619)440-7415; FAX (619)440-0851

Wilderness Jeep Expedition Rack

Part #: 34098

Parts List

2-Rack Ends(4'6" x 4")
2-Sides(48" x 4")
7-Floors(66")
4-Top Crossbar Brackets
2-Front Support Brackets(Right & Left)

2-Rear Support Brackets(Right & Left)
2-Top Support Brackets
2-Lower Support Brackets(Right & Left)
2-Inside Support Angles
2-Tilt Support Brackets

Rack and Flooring

14-Black End Caps
14-1/4 x 1 1/2 Bolts
14-1/4 Lockwashers
14-1/4 H.D. Flatwashers(1 1/4" Dia.)
8-5/16 x 1 Bolts
8-5/16 Nylon Locknuts
16-5/16 Flatwashers(9/16" Dia.)

License Plate

2-1/4 x 3/4 Bolts
2-1/4 Flatwashers
2-1/4 Nylon Locknuts

Roof Rack Top Mounting

4-3/8 x 2 Carriage Bolts
4-3/8 H.D. Flatwashers(1 3/8" Dia.)
4-3/8 Regular Nylon Locknuts

Tilt Brackets

4-5/16 x 2 All Thread Bolts
4-5/16 Nuts
2-5/16 Wingnuts

Front Support Brackets

6-5/16 x 1 1/4 Bolts
6-5/16 Lockwashers
6-5/16 Flatwashers
6-3/8 Nylon Washers(1 1/8" Dia.)

Lower Support & Top Support

6-5/16 x 1 Carriage Bolts
2-5/16 x 1 Bolts
10-5/16 Flatwashers
8-5/16 Nylon Locknuts
4-5/16 Nylon Washers

Roof Rack Rear Support

4-3/8 x 2 1/4 Bolts
8-3/8 Flatwashers(1" Dia.)
6-3/8 Nylon Washers(1 1/8" Dia.)
4-3/8 Regular Nylon Locknuts

Wilderness Jeep Expedition Rack

Part# 34098

Installation Instructions

1. 1/2 and full door models might require top door hinge modification. Refer to page 5, figure H.
2. Remove license plate and holder, refer to page 4, figure C.
3. Measure and drill 6-3/8" dia. holes as shown on page 3. Double check measurements before drilling.
4. Remove the two rear body mount bolts, refer to page 3, figures AA & B, and page 8, figure N. Loosen the three body mount bolts, located below the door about three turns, refer to page 8, figure N.
5. On one side, use a long screwdriver or pry bar and raise the body away from the rear body mount and top washer. Take the lower support bracket and slide under the body and on top of the rubber mount washer, as shown on page 4, figure E. Lower body on rubber mount and re-install rear body mount bolt, leave loose. Line up the square hole in the support bracket with the 3/8" dia. round hole that was drilled. Install the 5/16 x 1 carriage bolt through the square hole and round hole as shown on page 4, figure E. Repeat procedure on other side.
6. Install the inside support angle bracket(long side up) as shown on page 4, figure E. On some vehicles a rubber covering must be moved to gain access to the area.
7. Tighten all mounting hardware and all body mounting bolts at this time.
8. Install the top support brackets as shown on page 4, figure D. Level brackets and slightly tighten to hold in place.
9. Install the rear support brackets to the lower support and top support brackets, slightly tighten to hold in place, as shown on page 4, figure C.
10. Install front support brackets as shown on page 5, figures F & G. Adjust front brackets and tighten all mounting hardware.
11. Assemble roof rack as shown on page 6.
12. Install the black caps on the flooring and install the flooring to roof rack crossbars, as shown on page 7. Refer to yellow caution sheet before tightening floors.
13. With some help, set the assembled roof rack and flooring on the four roof rack support brackets and secure as shown on page 4, figure C(Rear) and page 5, figure F(Front). Align roof rack and tighten mounting hardware.
14. Install license plate to bracket on left rear support arm, refer to page 4, figure C.
15. Re-check and tighten all mounting hardware.
16. Assemble tilt brackets as shown on page 8, figure M. The tilt brackets are to be kept in vehicle until used to hold the rack in place for soft top removal.
17. To raise the empty roof rack, refer to page 8, figure M.
18. This type of product is subject to nicks and scratches. Touch-up all nicks or scratches with a rust preventing satin black paint. Failure to touch up will result in rusting.

WILDERNESS ROOF RACK

MOUNTING KIT PART # 34087 & 34098.

INSTRUCTIONS FOR DRILLING REAR MOUNTING HOLES

6- 3/8" DIAMETER HOLES (3 ON EACH SIDE)



PAGE 3 OF 8

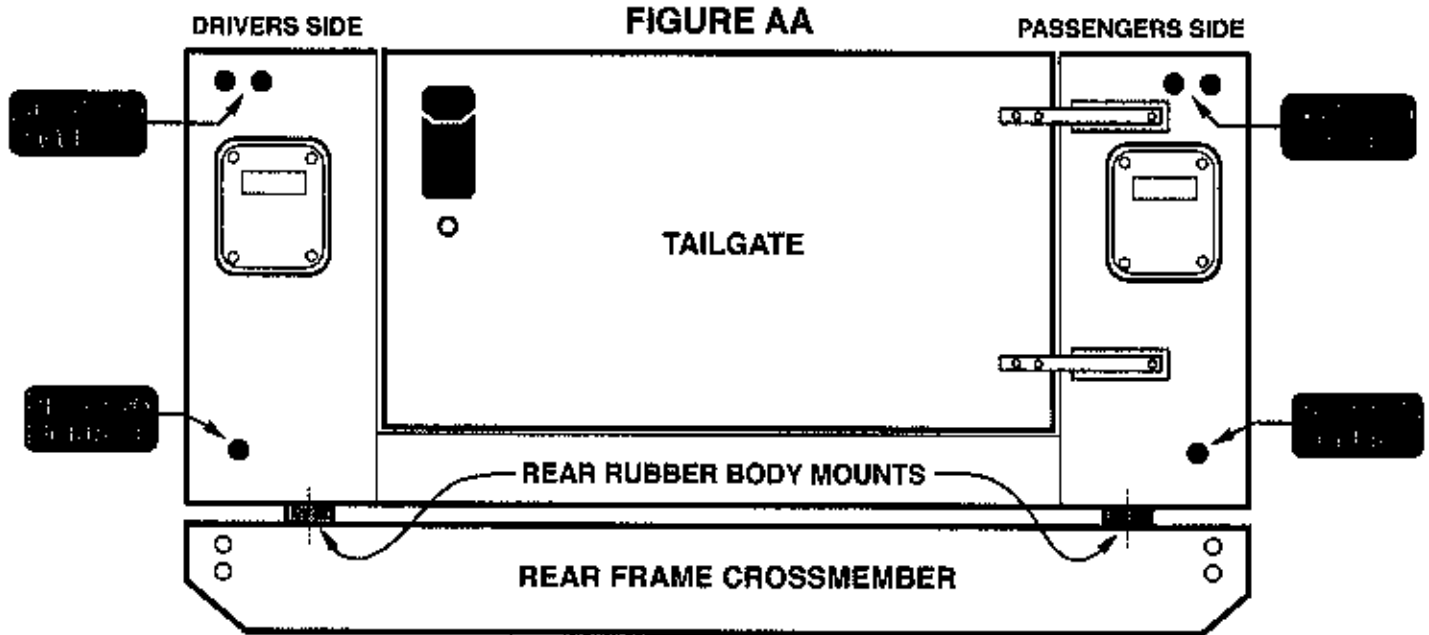


Figure AA shows the location of the 3/8" diameter holes on the rear tailgate. The holes are located 7 1/4" from the centerline of the tailgate and 7/8" from the top edge of the tailgate.

FIGURE A

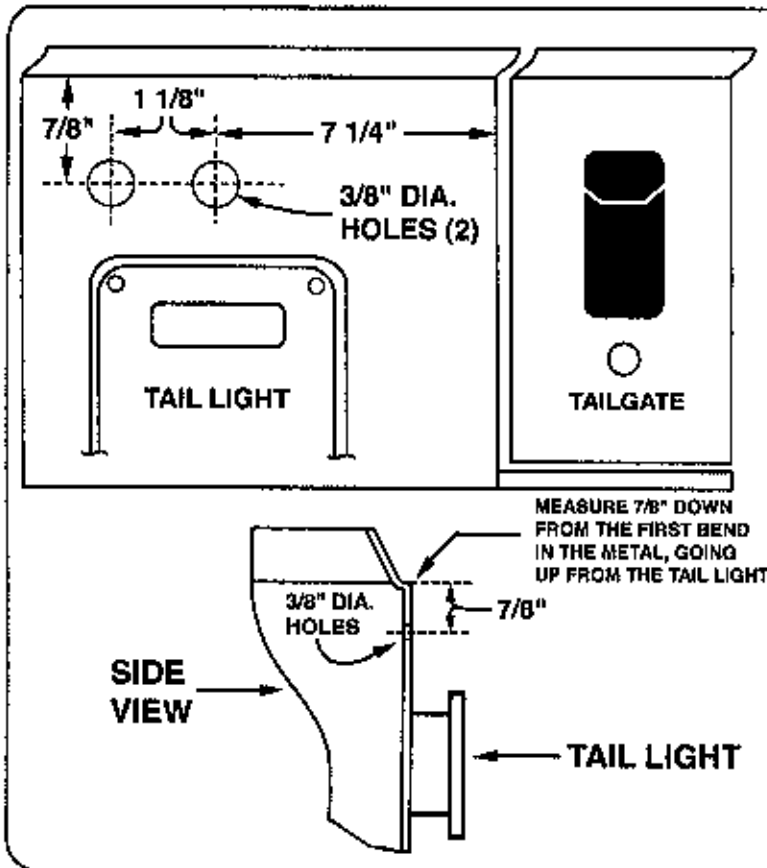
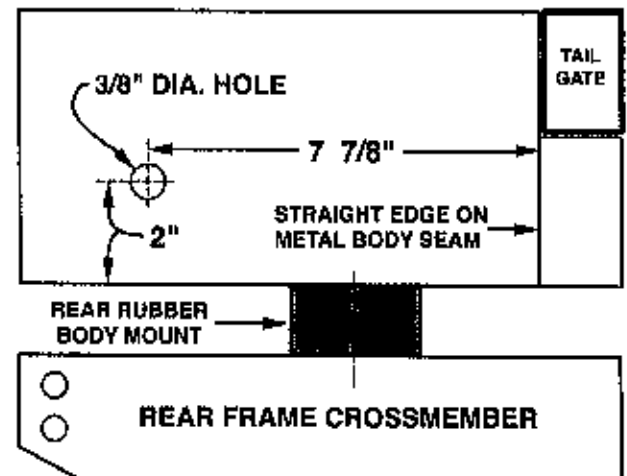


FIGURE B



- ### DRILLING TIPS
- 1- PLACE MASTING TAPE ON THE AREA TO BE DRILLED, MARK THE HOLE POSITION ON THE MASTING TAPE. DRILL A SMALL PILOT HOLE (1/8" DIA.) THEN ENLARGE TO 3/8" DIA.
 - 2- RE-CHECK YOUR MEASUREMENTS BEFORE DRILLING.
 - 3- COAT THE INSIDE OF THE HOLES WITH PAINT (SMALL BRUSH OR Q-TIP) OR CLEAR NAIL POLISH TO HELP PREVENT CORROSION.
 - 4- THE MEASUREMENTS SHOWN ARE THE SAME FOR ALL 1997 JEEP WRANGLERS THRU 2004 JEEP RUBICONS.
 - 5- AFTER READING THESE INSTRUCTIONS, IF YOU STILL HAVE ANY QUESTIONS CONTACT OUR CUSTOMER SERVICE M-F 7:00 AM TO 3:30 PM PACIFIC TIME AT (578) 440 - 7415.

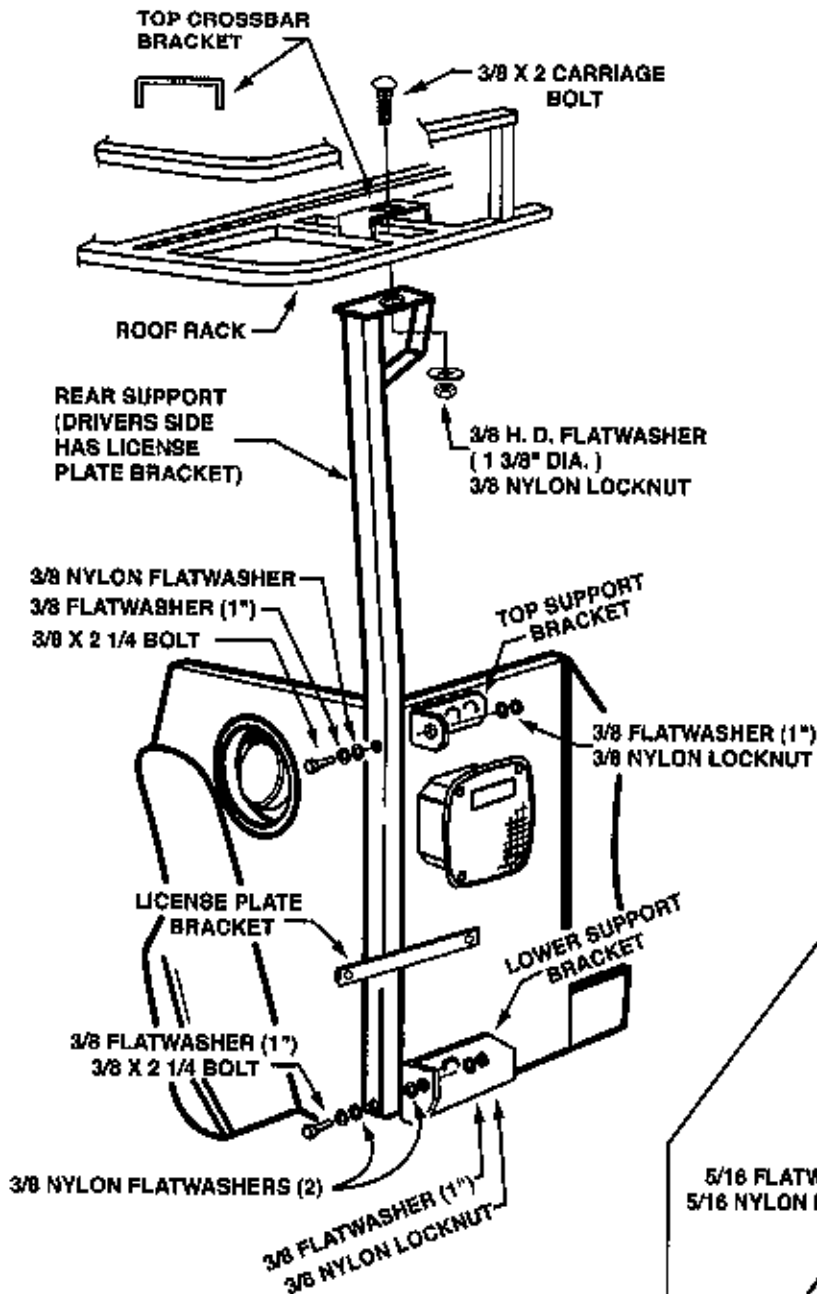
WILDERNESS RACK

PART # 34098 REAR ROOF RACK SUPPORTS --- INSTALLATION DRAWINGS



PAGE 4 OF 8

FIGURE C (REAR SUPPORT)



LICENSE PLATE INSTRUCTIONS

- 1 - REMOVE LICENSE PLATE AND BLACK HOUSING FROM LEFT REAR BODY PANEL.
- 2 - THE BLACK LICENSE PLATE HOUSING IS NOT USED.
- 3 - RE-INSTALL BLACK HOUSING BOLTS BACK INTO THE SAME HOLES AND TIGHTEN.
- 4 - INSTALL LICENSE PLATE TO ROOF RACK LEFT REAR SUPPORT WITH HARDWARE PROVIDED.

FIGURE D (TOP SUPPORT BRACKET)

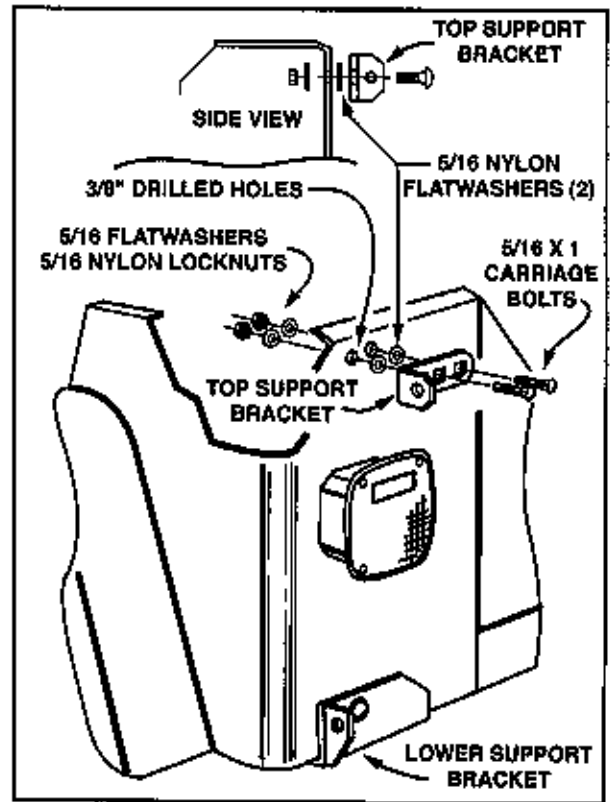
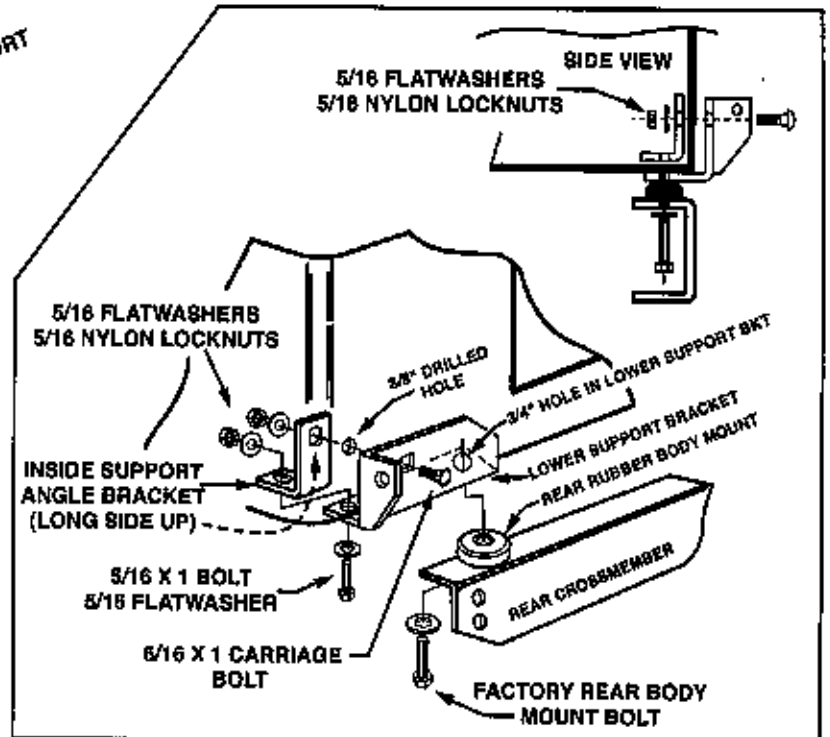


FIGURE E (LOWER SUPPORT BRACKET)



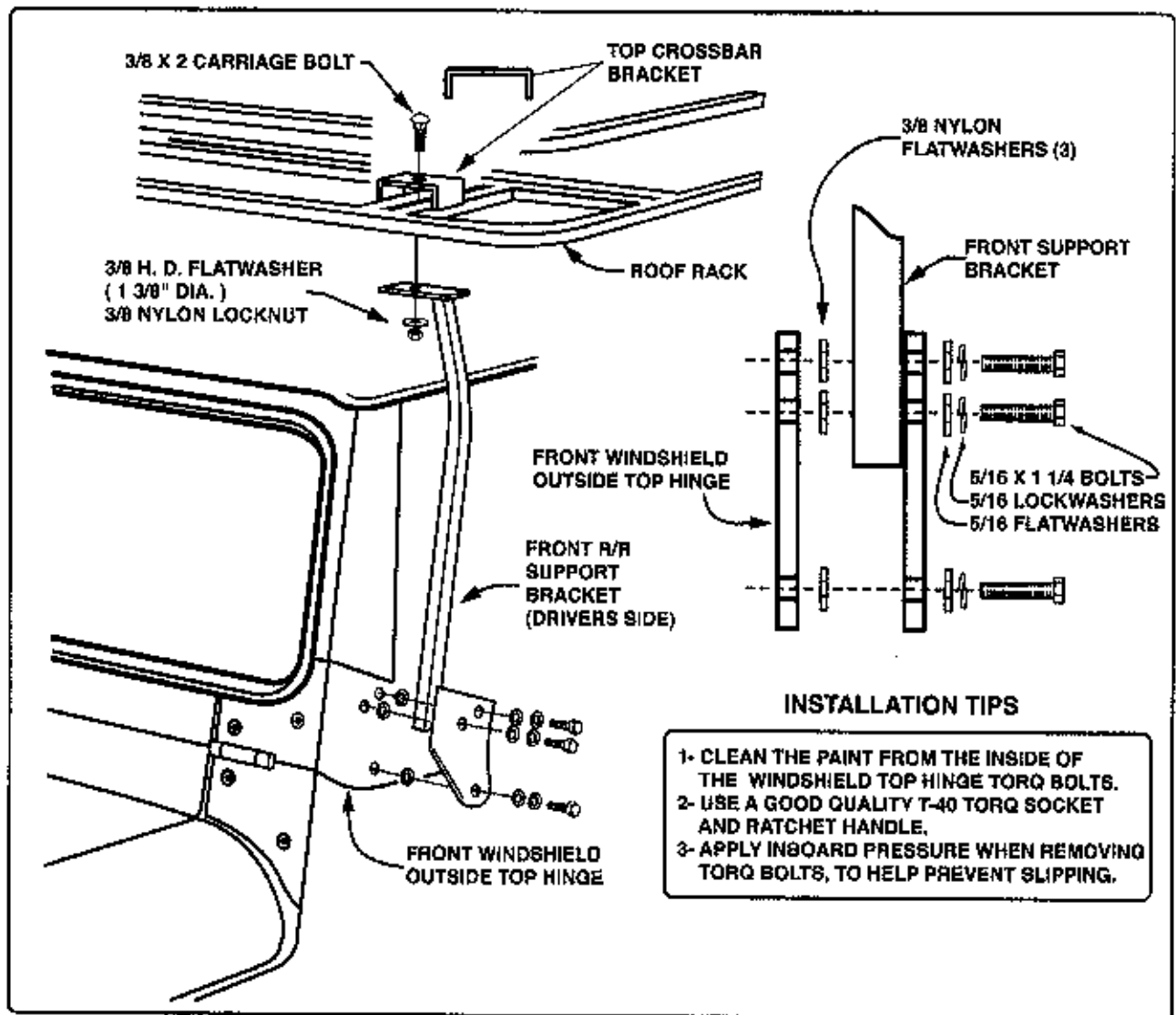
WILDERNESS RACK

PART# 34098 FRONT ROOF RACK SUPPORTS

INSTALLATION INSTRUCTIONS



FIGURE F



INSTALLATION TIPS

- 1- CLEAN THE PAINT FROM THE INSIDE OF THE WINDSHIELD TOP HINGE TORQ BOLTS.
- 2- USE A GOOD QUALITY T-40 TORQ SOCKET AND RATCHET HANDLE.
- 3- APPLY INBOARD PRESSURE WHEN REMOVING TORQ BOLTS, TO HELP PREVENT SLIPPING.

FIGURE G

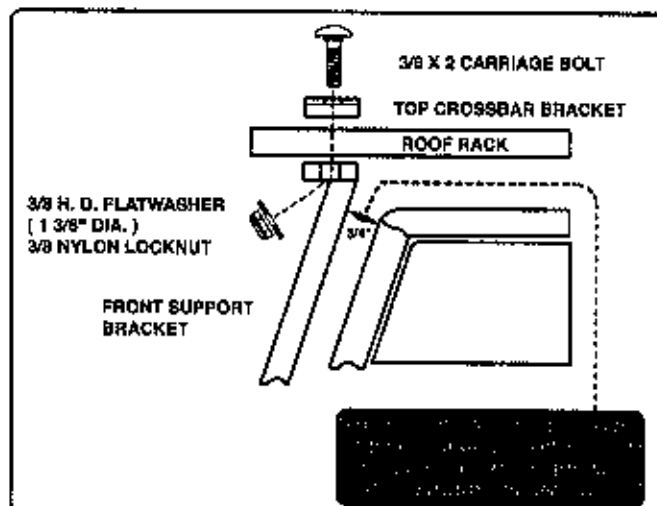
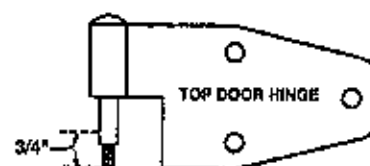


FIGURE H

TOP DOOR HINGE MODIFICATION

COMPLETE THIS DOOR HINGE MODIFICATION BEFORE INSTALLING THE ROOF RACK FRONT SUPPORT BRACKETS. THE FRONT DOORS CAN NOT BE REMOVED AFTER THE ROOF RACK INSTALLATION UNLESS THIS MODIFICATION IS DONE.



- 1- REMOVE THE NUTS FROM THE FRONT DOOR HINGES AND REMOVE THE DOORS.
- 2- MEASURE AND CUT 3/4\"/>

WILDERNESS OFF ROAD RACK SERIES

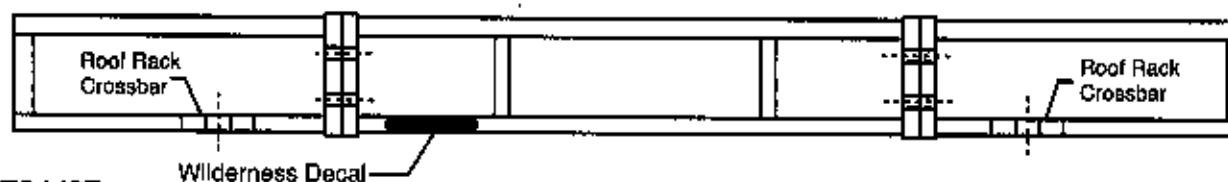
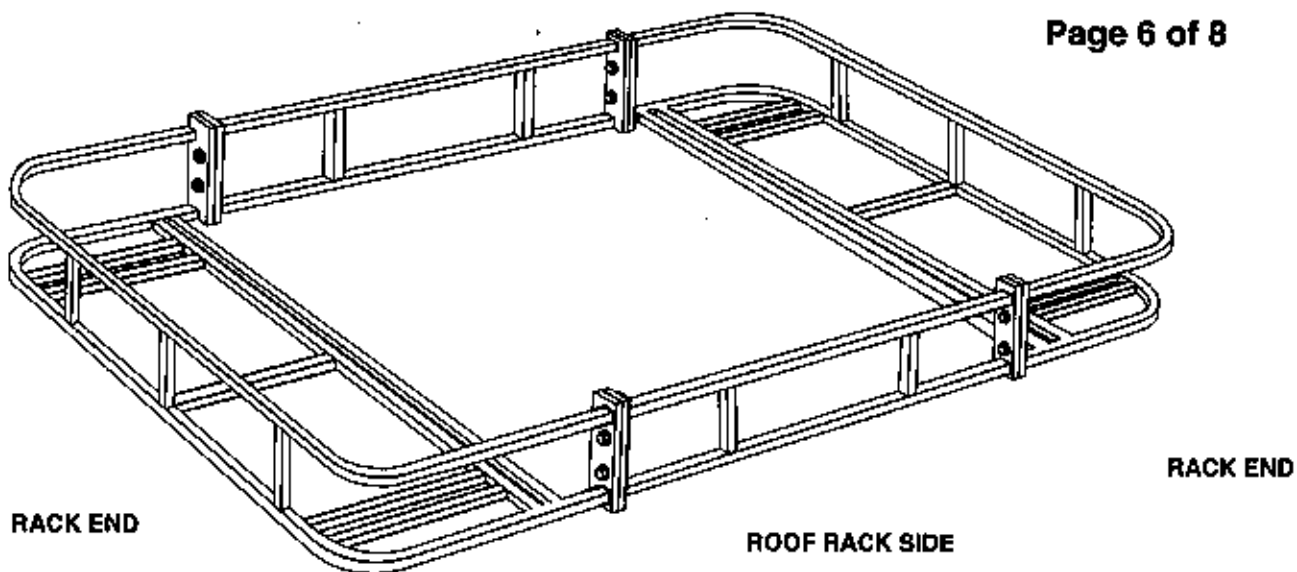
JEEP WRANGLER 1976 - 2004 EXPEDITION RACK

PART#'s 34076 - 34087 - 34098

SIZE 4' 6" x 6' x 4"



Page 6 of 8



PARTS LIST

- 1- FRONT RACK END (4' 6" x 4")
- 1- REAR RACK END (4' 6" x 4")
- 1- BOLT KIT # 2000
- 2- SIDES (48 1/4" x 4")

ROOF RACK ASSEMBLY

- 1 - Assemble roof rack ends to roof rack sides as shown in figures I and J.
- 2 - Align and tighten all fasteners.
- 3 - Roof rack flooring and vehicle mounting are shown in their respective installation instructions.

LIGHT MOUNTING BRACKET (each)
PART# 88134

CAUTION!!! LOADING and WEIGHT CAPACITY

- 1 - Use common sense when loading items on this roof rack.
- 2 - The roof rack will support more weight than the vehicle roof mounting will safely support.
- 3 - As a general rule up to 300 Lbs. evenly distributed is a safe load for this rack.

FIGURE I

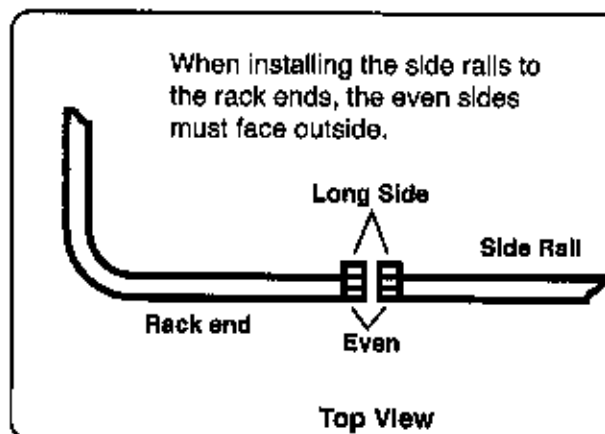
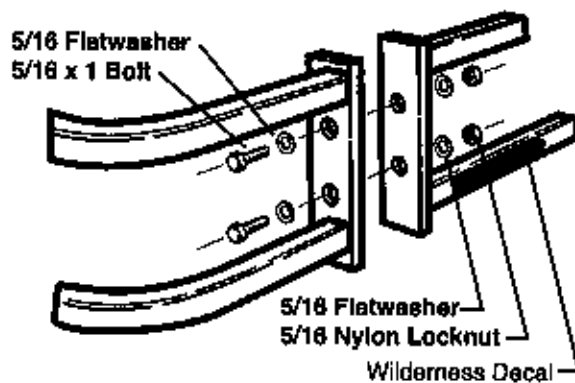


FIGURE J



WILDERNESS ROOF RACK FLOORING

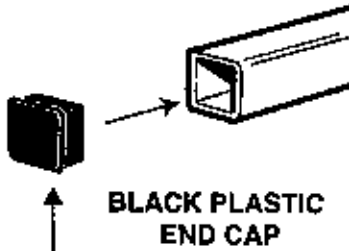
ASSEMBLY INSTRUCTIONS PART#'s 34076 - 34087 - 34098



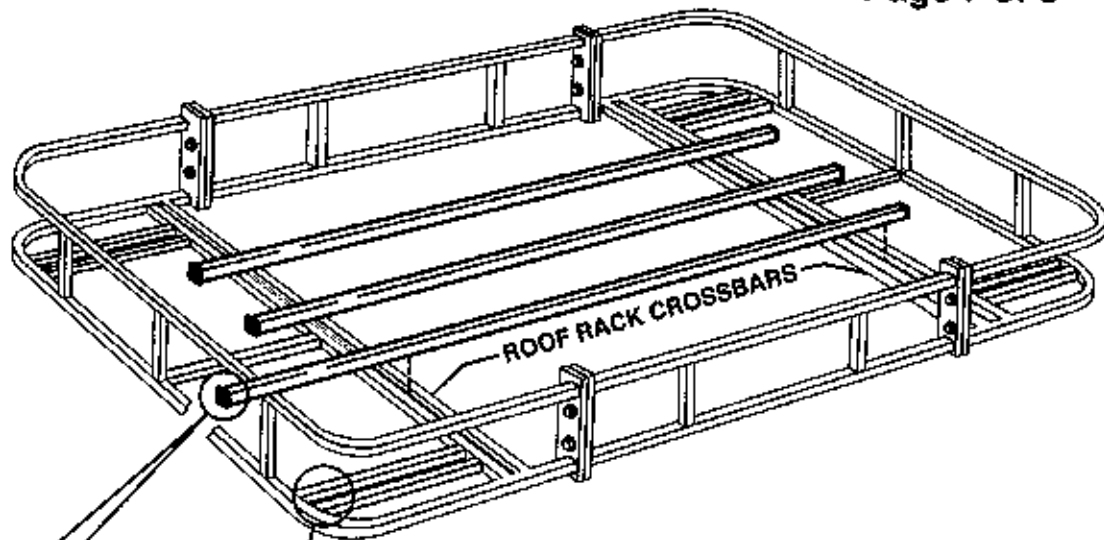
Page 7 of 8

FIGURE K

Install black plastic plugs into end of flooring. Use silicon around plug before installing for added protection in (wet) weather conditions.



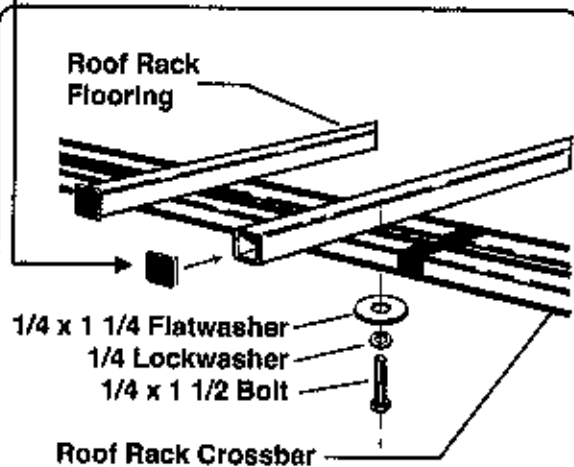
BLACK PLASTIC END CAP



ROOF RACK MOUNTING POINTS (4)

THE 7 FLOOR PIECES THAT ARE SUPPLIED WITH THIS KIT, MOUNT ON THE TOP OF THE ROOF RACK CROSSBARS AS SHOWN. ADDITIONAL FLOOR PIECES CAN BE PURCHASED FROM GARVIN INDUSTRIES.

FIGURE L



Apply Loctite to threads of 1/4 x 1 1/2" bolts for off road use.

SEE YELLOW CAUTION SHEET BEFORE TIGHTENING FLOORING BOLTS

PARTS LIST

- 7 - FLOOR PIECES (66")
- 1 - FLOORING BOLT KIT
- 14 - 1/4 X 1 1/4" BOLTS
- 14 - 1/4 LOCKWASHERS
- 14 - 1/4 FLATWASHERS (1 1/4" DIA.)

INSTALLATION INSTRUCTIONS

- 1 - INSTALL BLACK PLASTIC END CAPS IN FLOOR ENDS (FIGURE K)
- 2 - INSTALL FLOORS TO ROOF RACK CROSSBARS (FIGURE L)
- 3 - START ALL BOLTS IN FLOORING (FIGURE B), LEAVE BOLTS LOOSE, EVENLY SPACE FLOORS ON ROOF RACK.
- 4 - ALIGN FLOORS AND THEN READ THE YELLOW CAUTION SHEET (ENCLOSED) BEFORE TIGHTENING 1/4 X 1 1/2" BOLTS.
- 5 - WHEN SPACING THE TWO (2) OUTBOARD FLOORS, MAKE SURE THEY CLEAR THE ROOF RACK MOUNTING POINTS AS SHOWN IN THE DRAWING ABOVE.
- 6 - WHEN INSTALLING THE SPARE TIRE CARRIER PART# 29880, THE TWO MIDDLE FLOORS MUST BE SPACED SO THE OUTSIDE MEASUREMENT IS 5 3/8".

CAUTION !!!

DO NOT MOUNT A TIRE AND WHEEL ASSEMBLY LARGER THAN 31" ON THIS RACK.
IF YOU MOUNT A SPARE ON THE RACK, MOUNT THE TIRE OVER THE CROSSBAR, NOT IN THE MIDDLE OF THE RACK.
DO NOT DRIVE OFF ROAD IN EXTREME CONDITIONS WITH A SPARE TIRE IN THE RACK.
A QUALITY SWING-A-WAY TIRE CARRIER AND BUMPER ASSEMBLY, SUCH AS THE WILDERNESS PART# 34900 IS HIGHLY RECOMMENDED FOR ALL TIRES OVER 31" WHILE DRIVING IN ROUGH OFF ROAD CONDITIONS

WILDERNESS RACK

JEEP EXPEDITION RACK TILT BRACKET INSTRUCTIONS AND RUBBER BODY MOUNT LOCATIONS.



FIGURE M

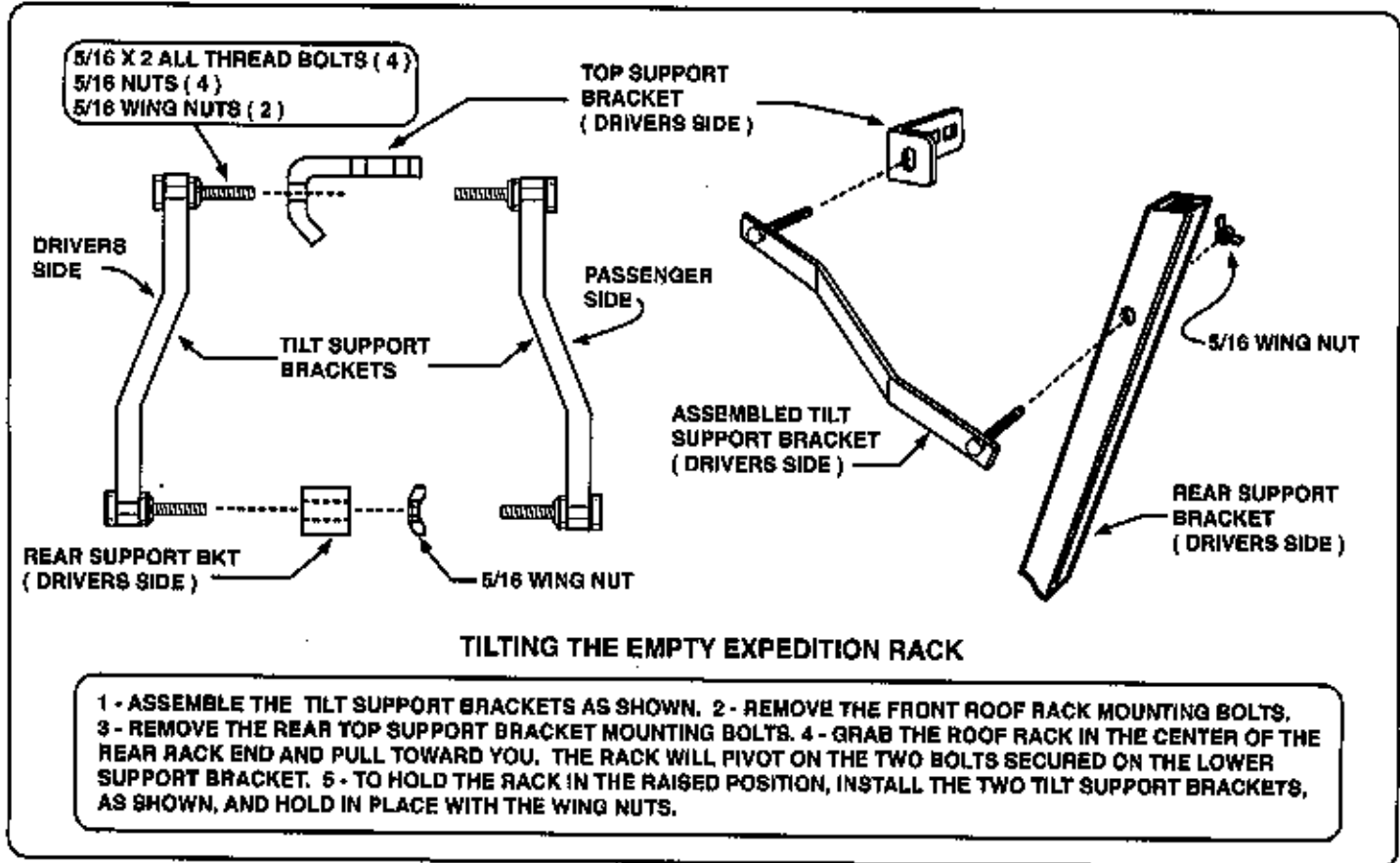


FIGURE N

BODY MOUNT BOLT LOCATIONS

