



1907 Woodland Ave.  
Coffeyville, KS 67337  
Phone: (620) 251-9100  
Fax: (620) 251-2622

# INSTALLATION INSTRUCTIONS TJ MODEL SHELF FOR THE TJ MODEL JEEP 1997-2002

1. Turn sunvisors down against inside of windshield.
2. Install trim-lok **P** onto shelf front lip by gently tapping with a rubber or wooden mallet until trim-lok is completely seated as shown in Fig. 3.
3. Assemble center bracket assembly by attaching slip joint bracket **J** to center bracket **I** using 3/16" flat washer **K** and 3/16" nyloc nut **L** according to fig. 2. Attach center bracket assembly to the loop at the top center of windshield frame according to fig. 2.
4. Open the circular brackets **B** and slip around side roll bars attaching the circular brackets to each side of the shelf **A** with the 5/16" x 3/4" carriage bolt **C**, 5/16" flat washer **D**, and 5/16" nyloc nut **E** provided. Do not tighten hardware.
5. Slide shelf forward until center bracket **I** aligns with hole in shelf. Attach center bracket assembly to shelf **A** using 1/4" pan head screw **F**, 1/4" flat washer **G**, and 1/4" nyloc nut **H**.
6. Slide clip nut **N** over flange of shelf access panel **M**. Position access panel **M** over hole in shelf. Secure in place using 1/4" pan head screw **O**. Repeat procedure for remaining access cover.
7. Tighten all remaining hardware at this time. Place the provided non-skid shelf lining into completed shelf.

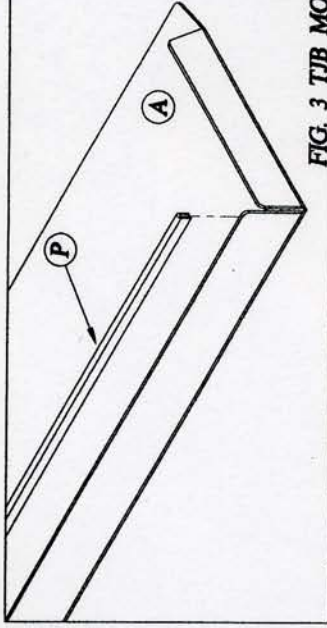


FIG. 3 TJB MODEL SHELF

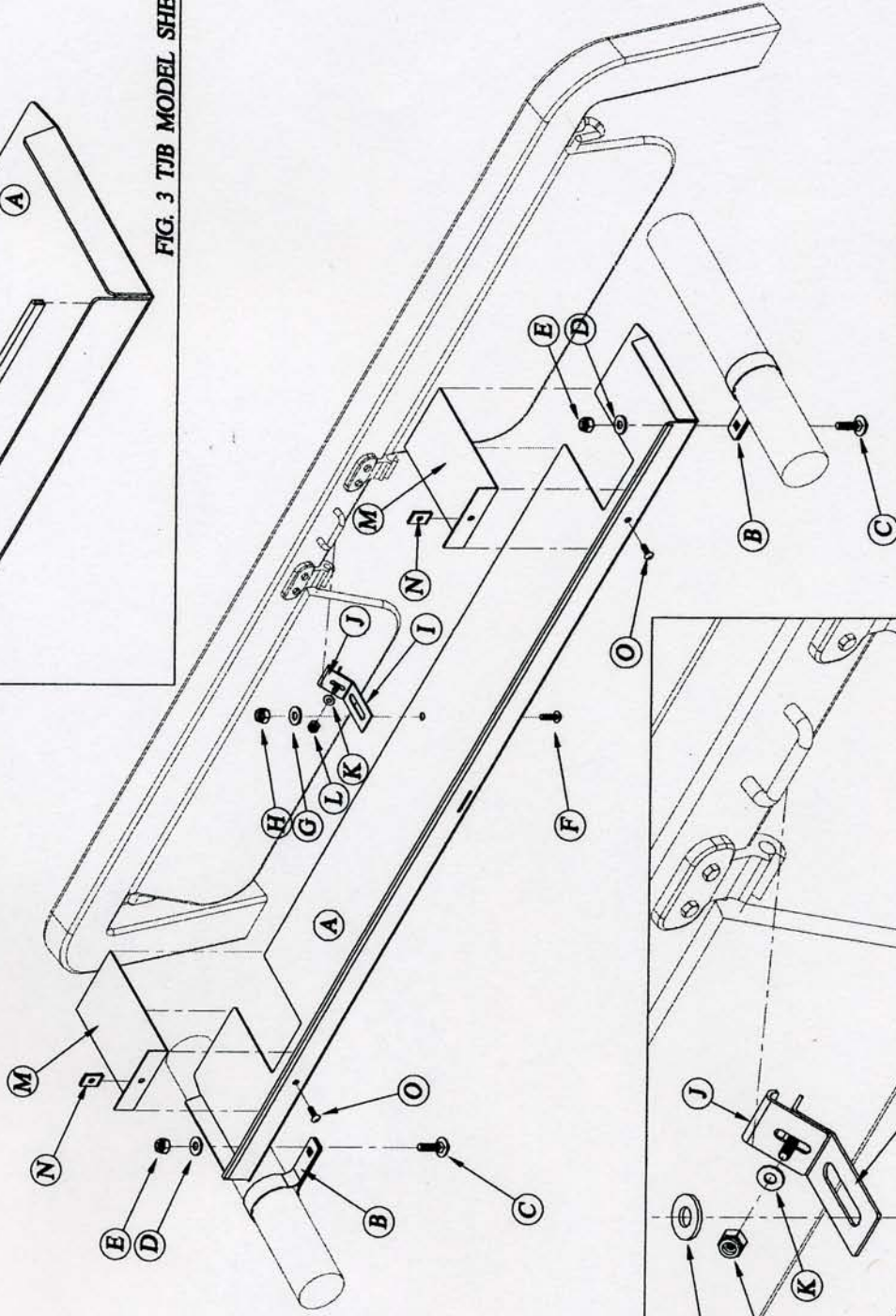


FIG. 1 TJB MODEL SHELF

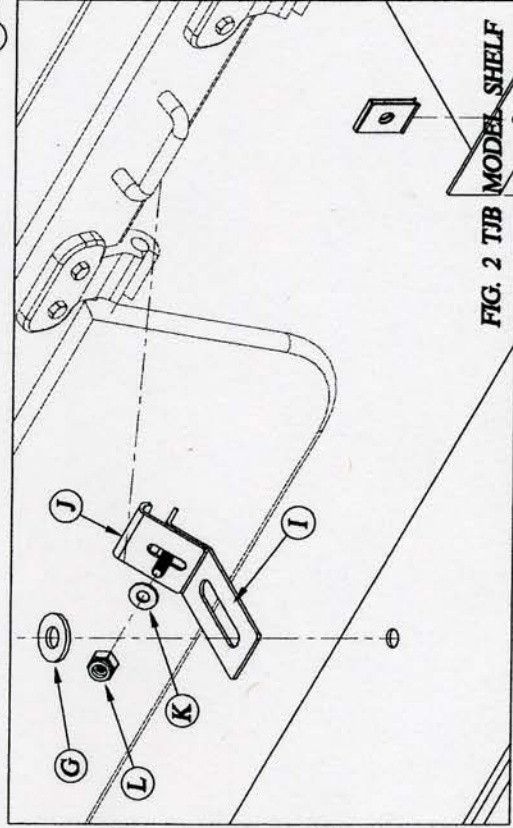


FIG. 2 TJB MODEL SHELF

Phone: (620) 251-9100

www.misch4x4.com

Fax: (620) 251-2622