

PART # 20064

ROOF RACK FLOORING KIT PAGE 8

8 - STEEL FLOORS (48 3/4")
24 - 1/4 X 1 1/2" BOLTS
24 - 1/4" LOCKWASHERS
24 - 1/4" H. D. FLATWASHERS (1 1/4" DIA.)
16 - BLACK PLASTIC END CAPS

RAINGUTTER CLAMP ASSEMBLY LOWER SECTION PAGE 9 & 10

4 - LOWER RAINGUTTER MOUNTS W/PADS
4 - RAINGUTTER BOTTOM CLIPS
8 - 3/8" BLACK PLASTIC SPACERS
8 - 5/16 X 1 1/4" CARRIAGE BOLTS
12 - 5/16 FLATWASHERS
12 - 5/16 NYLON LOCKNUTS

RAINGUTTER CLAMP ASSEMBLY TOP SECTION SUPPORT PLATE PAGE 9 & 10

4 - TOP SUPPORT PLATES (THREADED)
4 - 1 1/2 DIA. RUBBER BUMP STOPS
4 - 3M SCUFF PADS
8 - 5/16 X 1 CARRIAGE BOLTS
12 - 5/16 FLATWASHERS
8 - 5/16 NUTS
4 - 3/8 FENDER WASHERS
4 - 5/16 LOCKWASHERS
4 - 5/16 X 2" ALL THREAD BOLTS
8 - 5/16 NYLON LOCKNUTS

REAR SUPPORTS RUBBER BUMP STOP KITS PAGES 5 & 6

2 - 1 1/2" DIA. RUBBER BUMP STOPS
2 - 5/16 X 2 1/2 ALL THREAD BOLTS
2 - 3/8 FENDER WASHERS (1 1/2" DIA.)
4 - 5/16 LOCKWASHERS
2 - 5/16 FLATWASHERS
4 - 5/16 NUTS
2 - 3M SCUFF PADS
2 - BLACK TUBING THREAD COVERS
(CUT TO FIT)

LOWER SUPPORT KIT PAGE 4

2 - LOWER SUPPORTS
2 - 1/2 X 1 1/2 BOLTS
2 - 1/2 LOCKWASHERS
2 - 1/2 USS FLATWASHERS

INNER SUPPORT KIT PAGE 4

2 - INNER SUPPORTS
4 - 3/8 NUTS
4 - 3/8 LOCKWASHERS
4 - 3/8 USS FLATWASHERS (1" DIA.)

ROOF RACK TO REAR SUPPORTS KIT PAGE 9

4 - TOP SUPPORT BRACKETS
4 - 3/8 X 2" CARRIAGE BOLTS
4 - 3/8 H. D. FLATWASHERS (1 3/8" DIA.)
4 - 3/8 NYLON LOCKNUTS

ROOF RACK ASSEMBLY KIT PAGE 7

1 - FRONT RACK END (54")
(TAPERED)
1 - RACK END (54")
(EVEN)
2 - SIDES (32 1/2" X 4") W/ CROSSBAR TABS
1 - BOLT KIT # 2000
1 - CENTER CROSSBAR (52")
4 - BLACK CROSSBAR PLUGS
2 - 3/8 X 2" CARRIAGE BOLTS
2 - 3/8 H. D. FLATWASHERS
2 - 3/8 WING NUTS
2 - 3/8 REGULAR NYLON LOCKNUTS

TOP ANGLE MOUNTING BRACKET KIT PAGE 5

2 - TOP ANGLE MOUNTS
2 - 7/16 X 1 1/2 BOLTS
4 - 7/16 SAE FLATWASHERS (15/16" DIA.)
2 - 7/16 TAP LOCKNUTS

REAR SUPPORT KIT PAGE 5

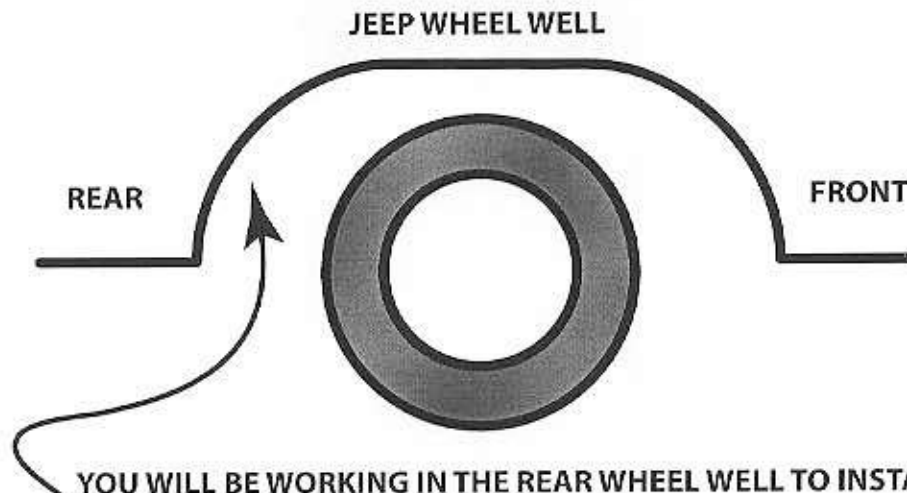
2 - REAR SUPPORTS (RT & LT)
4 - 7/16 X 1 1/2 BOLTS
2 - BLACK 1/8" THICK NYLON PADS
8 - 7/16 SAE FLATWASHERS (15/16" DIA.)
4 - 7/16 TAP LOCKNUTS

Part# 20064
JL Expedition Half Rack

Installation Instructions

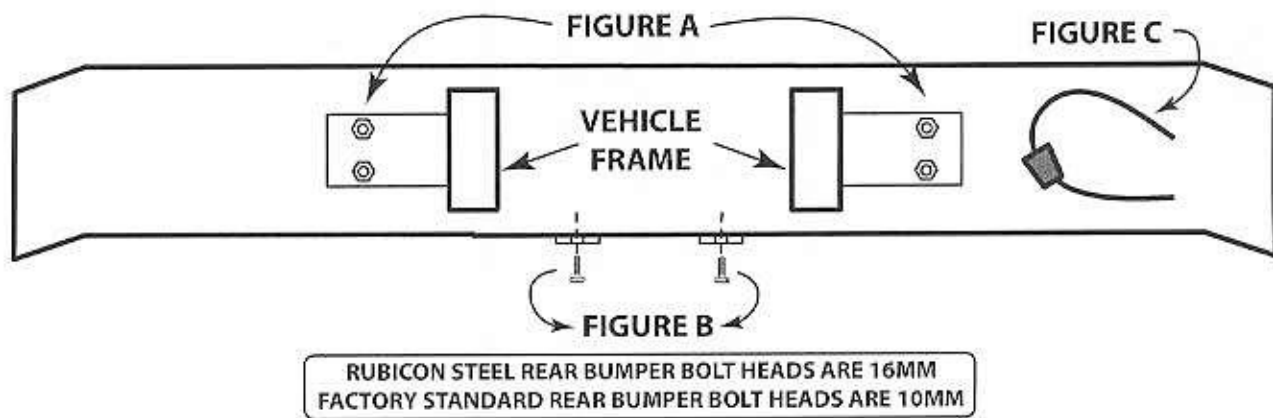
Please Note! For an easier installation, leave all fasteners loose until directed to tighten.

1. Remove factory rear bumper as shown on page 3.
2. Install inner support brackets as shown on bottom of page 3, and figures A & B on page 4.
3. Install rear mounting brackets, page 4, figures B & C. Adjust brackets so the Velcro pad is as close to the body as possible. Align and tighten all fasteners.
4. Re-install rear bumper, support brackets, and plug in the wiring. Tighten all fasteners.
5. Re-install rear plastic panels (6-8mm head screws)
6. Install top angle brackets to rear mounts as shown on page 5, slightly tighten to hold in place.
7. Assemble rear bump stops, page 6. Follow the instructions on page 6.
8. Install rear supports and black nylon pads to top angle bracket, as shown on page 5. Slightly tighten to hold in place.
9. Assemble roof rack as shown on page 7. Align and tighten all hardware. If the optional wind deflector part#29960 was purchased, you can install it at this time.
10. Install roof rack flooring to rack as shown on page 8. Align flooring and tighten all fasteners, please make a note of the yellow caution sheet before tightening hardware.
11. Assemble roof rack rain gutter mounts, leave very loose so you can install the assembled clamp to the factory rain gutter.
12. On the front two clamps only, raise the top support plates to the tallest position and tighten hardware. Screw the bump stop bolt into the top support plate until it is flush with the top.
13. Install the front two clamps into the factory rain gutter and position as shown on page 10, figure A.
14. Slightly tighten mounting hardware to hold in place, install 3M pad to roof under bump stop. Adjust bump stop until top plate is level and tighten locknut.
15. With some help set the assembled roof rack on vehicle, resting on the rear supports and front rain gutter mounts. Secure rack to mounts as shown on page 9 and 10. Leave mounting hardware loose for adjustment.
16. Remove the 3/8" dia. wing nut, 3/8" x 2 carriage bolt and flatwasher from the crossbar side mounting. Install center rain gutter mount to factory rain gutter and center crossbar, as shown on pages 7 & 10, figure C.
17. Align and center roof rack on vehicle and tighten all hardware.
18. Touch up all nicks and scratches, that normally occur with a roof rack, with a black rust prevention enamel black paint.
19. We recommend touching up all mounting hardware with a black rust preventive enamel paint. During installation the hardware coating can get chipped off.



YOU WILL BE WORKING IN THE REAR WHEEL WELL TO INSTALL THE REAR LOWER MOUNTING BRACKETS FOR THE ROOF RACK

- 1 - REMOVE THE PLASTIC PANEL BEHIND THE REAR TIRES (6 - 8MM HEAD SCREWS)
- 2 - REMOVE THE OUTBOARD BUMPER SUPPORT BRACKETS (8 - BOLTS 16MM HEAD)
- 3 - PULL WHITE TAB UP ABOUT 1/8" ON THE SENSOR WIRING CONNECTER AND UN-PLUG CONNECTER, FIGURE C , ALSO DISCONNECT FROM METAL BRACKET
- 4 - REMOVE THE 4 - 16MM NUTS (FIGURE A) AND BOLTS (FIGURE B)
- 5 - TILT BUMPER UP AND REMOVE REAR BUMPER.



- 6 - AFTER YOU HAVE REMOVED ALL THE PANELS AND BUMPER , YOU WILL SEE A LARGE OVAL HOLE IN THE BODY STRUCTURE AND ON THE BOTTOM YOU WILL SEE A SQUARE HOLE.
- 7 - INSTALL THE INNER SUPPORT BRACKET THRU THE OVAL HOLE AS SHOWN IN FIGURE A, PAGE 4.

FIGURE A

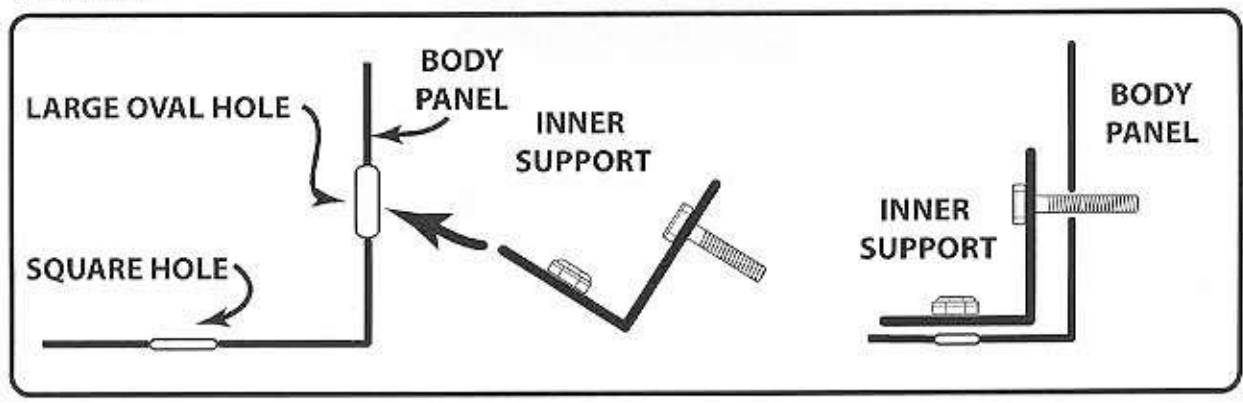


FIGURE B

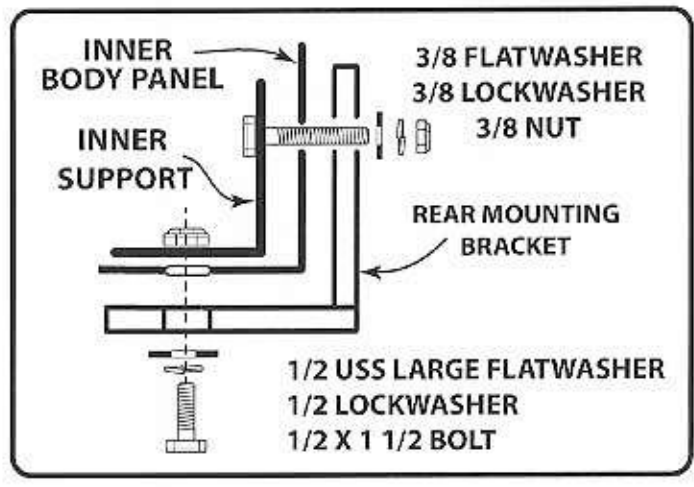


FIGURE C

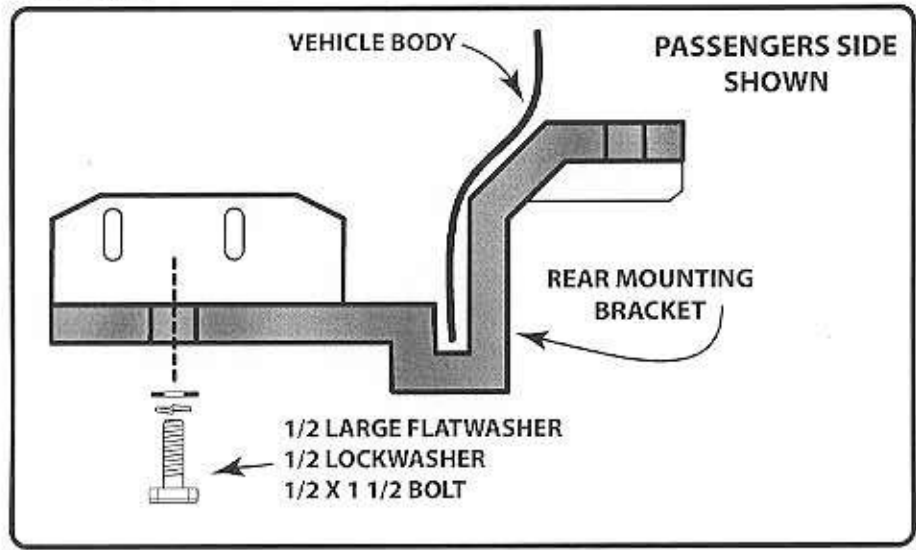
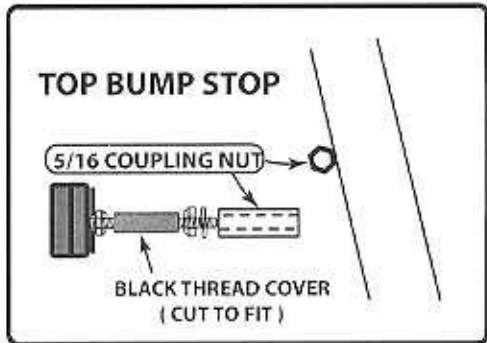


FIGURE C
THIS VIEW IS FROM
UNDER THE JEEP
LOOKING TOWARD
THE REAR OF THE
VEHICLE, ON THE
PASSENGERS SIDE

SEE PAGE 9 FIGURE C FOR
REAR MOUNTING OF
ROOF RACK

BEFORE INSTALLING REAR
SUPPORT ARMS INSTALL TOP
RUBBER BUMP STOP REFER TO
PAGE 6, LINE 2

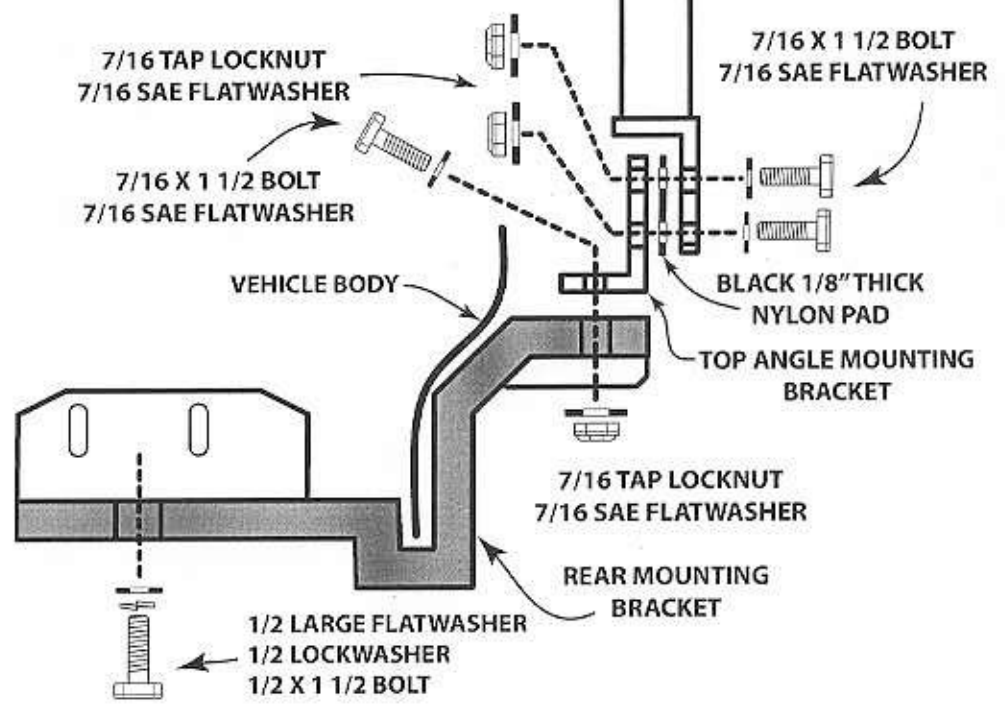
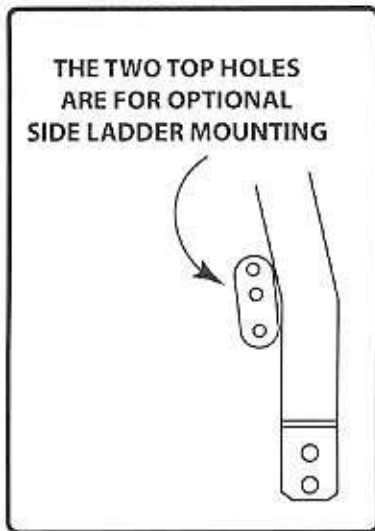
FIGURE A



REAR SUPPORT
LOOKING FORWARD FROM
THE REAR OF THE VEHICLE
THIS IS THE PASSENGERS
SIDE VIEW

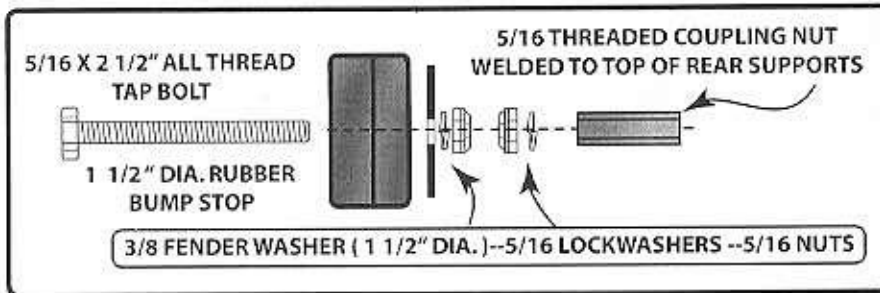
BUMP STOP
BRACKETS FACE TO
THE FRONT OF THE
WRANGLER

FIGURE B



REAR SUPPORTS TOP BUMP STOP
AND RAIN GUTTER BUMP STOPS

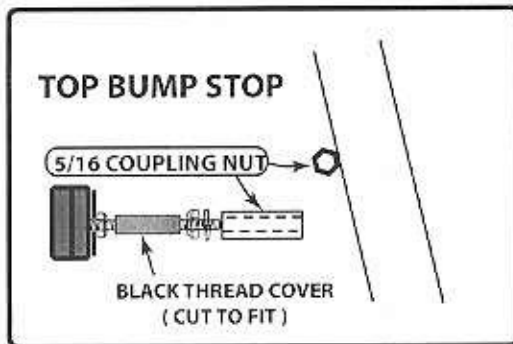
FIGURE A
TOP BUMP STOP ASSEMBLY



1 - ASSEMBLE RUBBER BUMPER TO TAP BOLT AND TIGHTEN. REFER TO FIGURE A

2 - INSTALL RUBBER BUMP STOPS TO REAR SUPPORTS BEFORE INSTALLING ON VEHICLE. REFER TO PAGE 5 & 6 INSTALL HARDWARE LOOSE TO HOLD ON DURING INSTALATION.

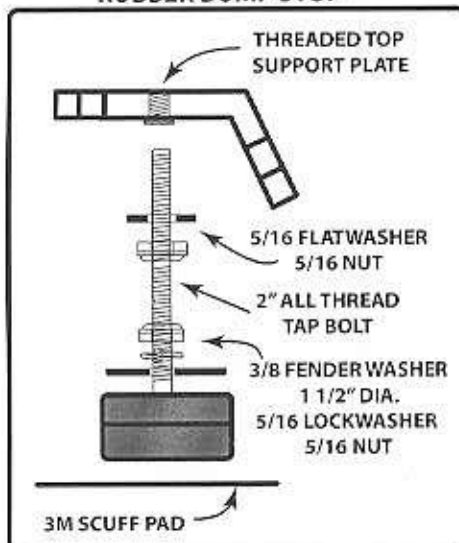
FIGURE B



3 - FINISH ROOF RACK INSTALLATION AND AFTER THE ROOF RACK IS ALIGNED AND ALL FASTENERS ARE TIGHTENED, POSITION THE RUBBER BUMP STOP WHERE IT WILL TOUCH THE BODY. AT THAT PLACE , REMOVE THE WHITE BACKING FROM THE 3M SCUFF PAD AND STICK TO BODY.

FIGURE C

RAIN GUTTER CLAMP
RUBBER BUMP STOP



4 - ADJUST THE RUBBER BUMP STOP SO IT JUST TOUCHES THE BODY. SECURE BY TIGHTENING THE 5/16 NUTS AND LOCKWASHER.

5 - USE SOME VASOLINE JELLY ON THE RUBBER IF A SQUICKING NOISE IS HEARD, AS THE RUBBER BUMPER WILL GET HARD OVER TIME.

SPORT SERIES WILDERNESS RACK

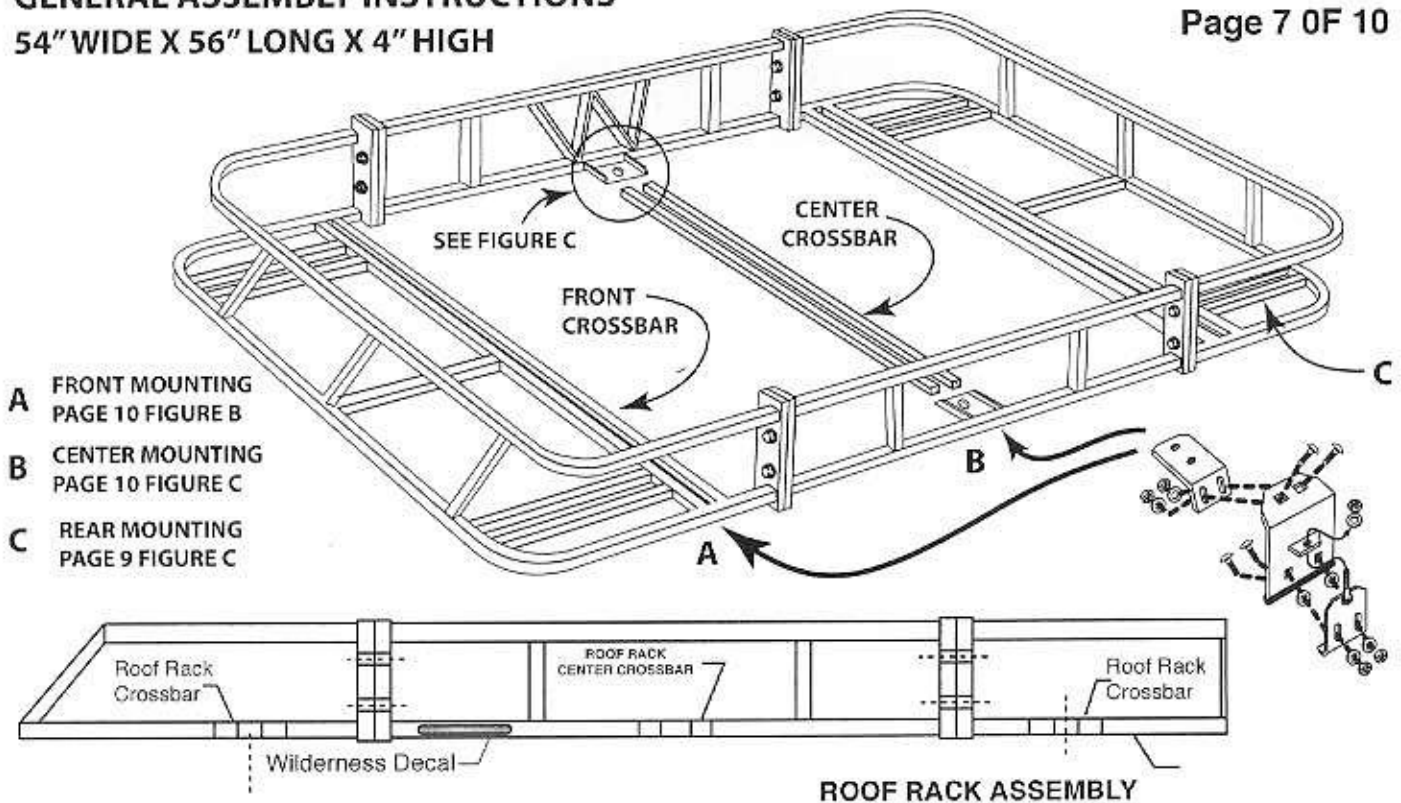
JEEP JL WRANGLER 4 DOOR HARD TOP EXPEDITION HALF RACK

PART # 20064



GENERAL ASSEMBLY INSTRUCTIONS
54" WIDE X 56" LONG X 4" HIGH

Page 7 OF 10



- A** FRONT MOUNTING
PAGE 10 FIGURE B
- B** CENTER MOUNTING
PAGE 10 FIGURE C
- C** REAR MOUNTING
PAGE 9 FIGURE C

- 1 - Assemble roof rack ends to roof rack sides as shown in FIGURES A & B.
- 2 - Install black plastic plugs into crossbar ends FIGURE C.
- 3 - Install crossbar to crossbar supports as shown in FIGURE C.
- 4 - Align roof rack, crossbar and tighten all fasteners.
- 5 - Roof rack flooring and vehicle mounting are shown in their respective installation instructions, REFER TO PAGE 8.
- 6 - USE COMMON SENSE WHEN LOADING ITEMS ON THIS ROOF RACK.
- 7 - THE RACK WILL SUPPORT MORE WEIGHT THAN THE VEHICLE WILL SAFELY SUPPORT.
- 8 - AS A GENERAL RULE UP TO 250 LBS. EVENLY DISTRIBUTED IS A SAFE DRIVING LOAD / WITH A STATIC LOAD (SUCH AS A TENT) WILL SUPPORT 500 LBS.

CENTER CROSSBAR INSTALLATION FIGURE C

ASSEMBLE CENTER CROSSBAR TO SIDES AS SHOWN IN FIGURE C USE 3/8 WING NUT INSTEAD OF THE LOCKNUT SHOWN. LATER IN THE INSTALLATION THE WING NUT WILL BE REPLACED WITH A REGULAR 3/8 NYLON LOCKNUT AS SHOWN ON PAGE 10 FIGURE C

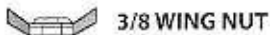


FIGURE A

When installing the side rails to the rack ends, use bolt kit # 2000, the even sides must face outside and the crossbar support must face inboard

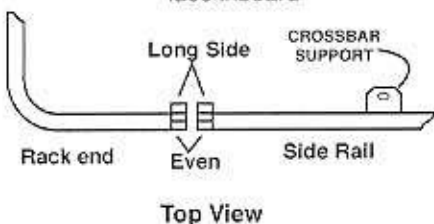


FIGURE B

USE BOLT KIT # 2000 FOR THIS ASSEMBLY

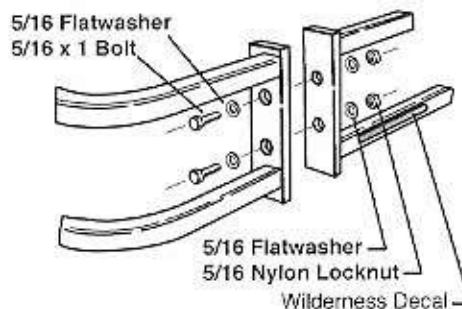


FIGURE C

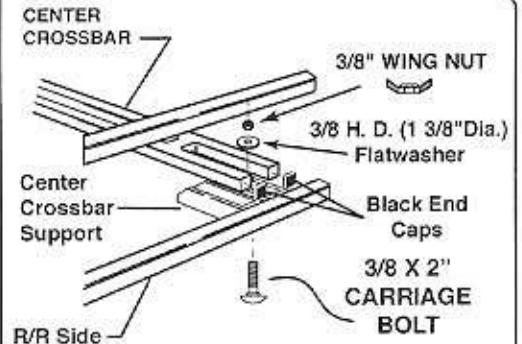


FIGURE K

Install black plastic plugs into end of flooring. Use silicon around plug before installing for added protection in (wet) weather conditions.

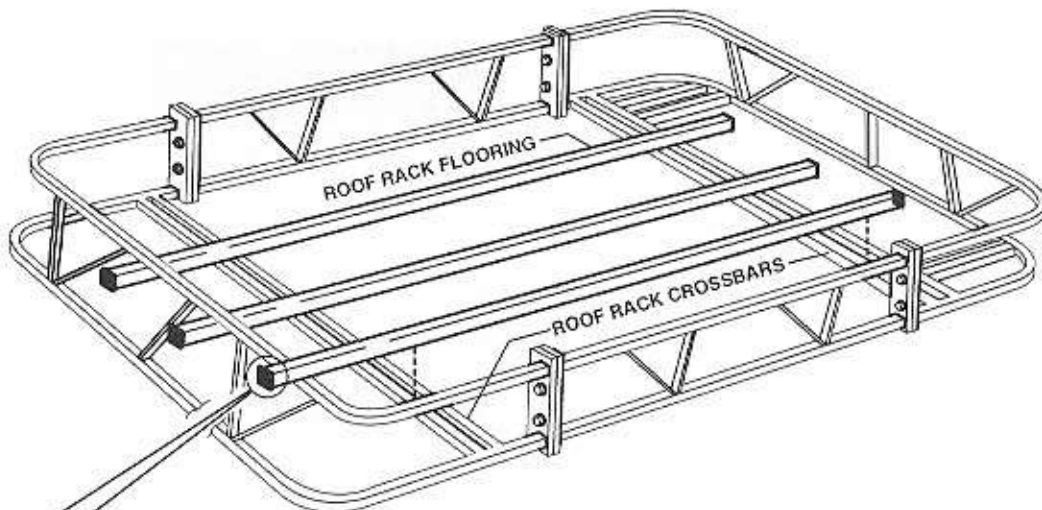
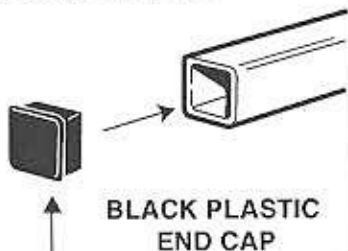
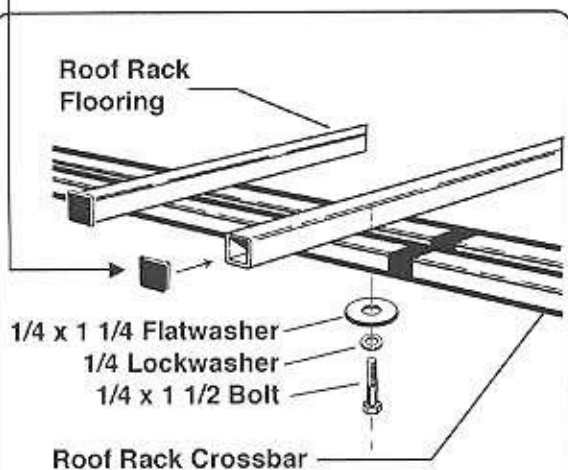


FIGURE L



Apply Loctite to threads of 1/4 x 1 1/2" bolts for off road use.

SEE YELLOW CAUTION SHEET BEFORE TIGHTENING FLOORING BOLTS

THE 8 FLOOR PIECES THAT ARE SUPPLIED WITH THIS KIT, MOUNT ON THE TOP OF THE 3 ROOF RACK CROSSBARS. (CENTER CROSSBAR NOT SHOWN)
ADDITIONAL FLOOR PIECES CAN BE PURCHASED FROM GARVIN INDUSTRIES.

INSTALLATION INSTRUCTIONS

ALL FLOORS MOUNT TO THE 3 CROSSBARS ON THE RACK (CENTER CROSSBAR NOT SHOWN IN THIS DRAWING)

- 1 - INSTALL BLACK PLASTIC END CAPS IN FLOOR ENDS (FIGURE K)
- 2 - INSTALL FLOORS TO ROOF RACK CROSSBARS ALL 3 (FIGURE L)
- 3 - START ALL BOLTS IN FLOORING (FIGURE B), LEAVE BOLTS LOOSE, EVENLY SPACE FLOORS ON ROOF RACK.
- 4 - ALIGN FLOORS AND THEN READ THE YELLOW CAUTION SHEET (ENCLOSED) BEFORE TIGHTENING 1/4 X 1 1/2" BOLTS.
- 5 - WHEN SPACING THE TWO (2) OUTBOARD FLOORS, MAKE SURE THEY CLEAR THE ROOF RACK MOUNTING POINTS AS SHOWN IN THE DRAWING ABOVE.
- 6 - WHEN INSTALLING THE SPARE TIRE CARRIER PART# 29880, THE TWO MIDDLE FLOORS MUST BE SPACED SO THE OUTSIDE MEASUREMENT IS 5 3/8".

FIGURE A FRONT MOUNTING

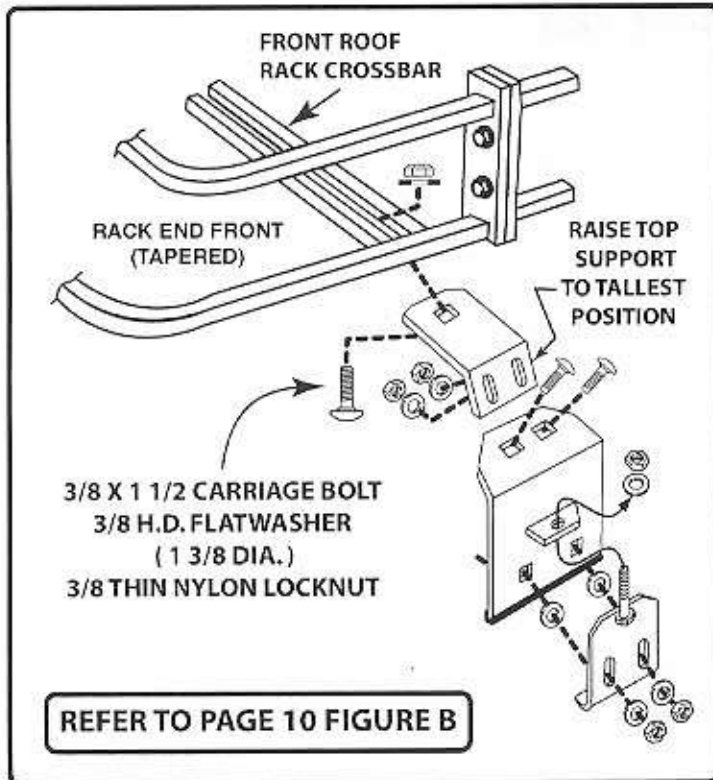


FIGURE B CENTER MOUNTING

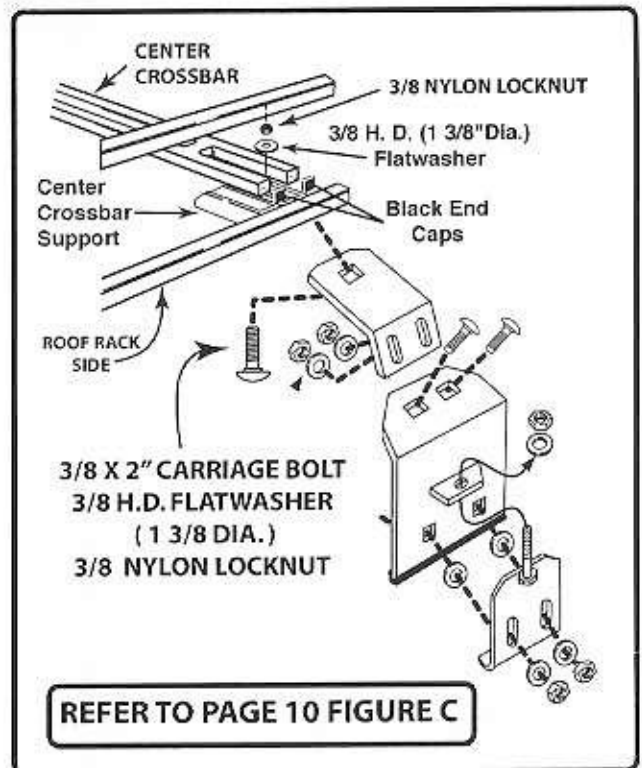
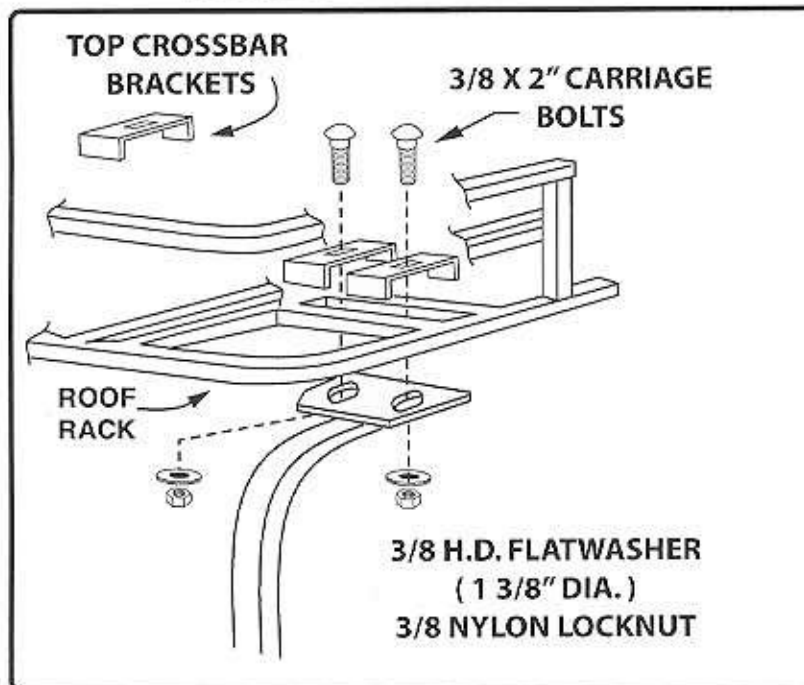


FIGURE C REAR MOUNTING



RAIN GUTTER MOUNTS FRONT AND CENTER ASSEMBLY INSTRUCTIONS

FIGURE B

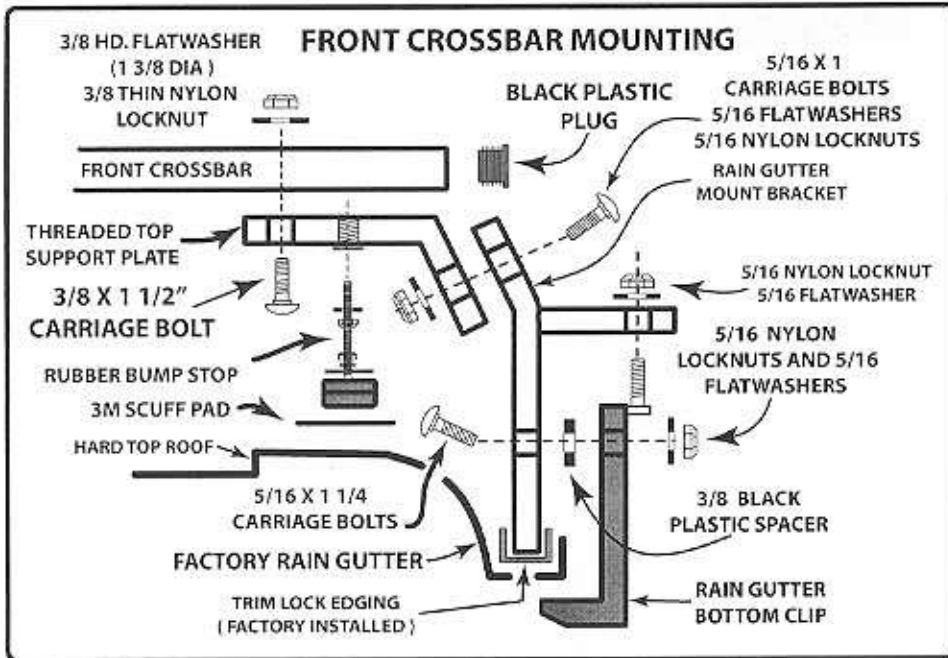


FIGURE D

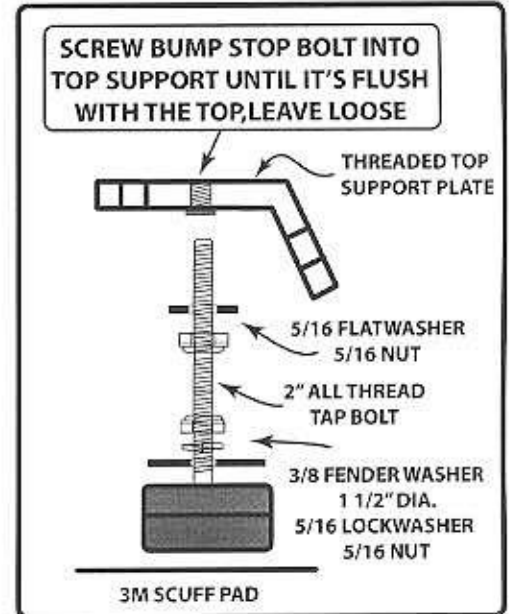


FIGURE C

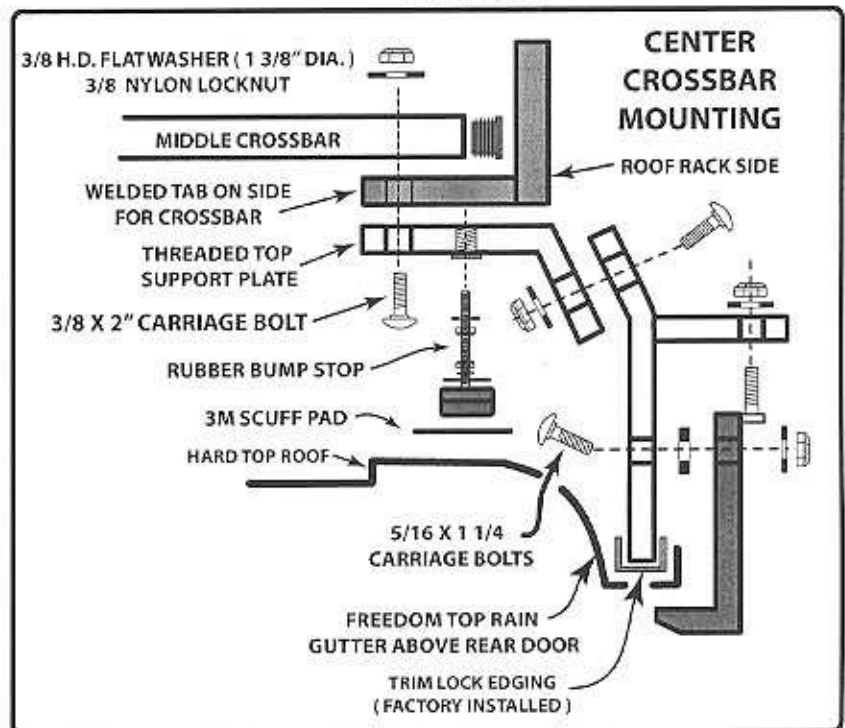
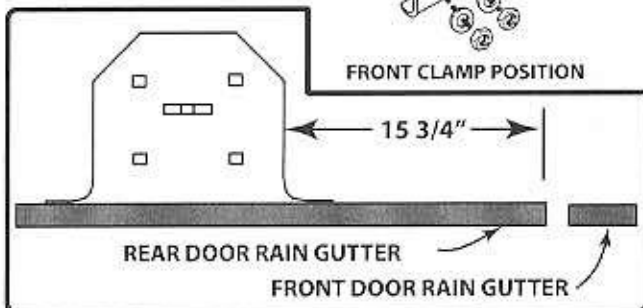


FIGURE A



- 1- ASSEMBLE RAIN GUTTER MOUNTING CLAMP AS SHOWN, LEAVE LOOSE. ASSEMBLE TOP BUMP STOP AS SHOWN IN FIGURE B, AND SCREW INTO THREADED PART OF TOP SUPPORT PLATE.
- 2- INSTALL RAIN GUTTER ASSEMBLY IN FACTORY RAIN GUTTER, SPACING AS SHOWN IN FIGURE A, SLIGHTLY TIGHTEN TO HOLD IN PLACE. INSTALL 3M SCUFF PAD WHERE THE BUMP STOP TOUCHES THE ROOF.
- 3 - USING A LEVEL, ADJUST THE BUMP STOP SO THE TOP SUPPORT PLATE IS LEVEL (SIDE TO SIDE) WITH THE VEHICLE .