

**PART # 20074****ROOF RACK FLOORING KIT PAGE 11**

8 - STEEL FLOORS ( 87 3/4" )  
1 - FLOORING KIT

**INSIDE SUPPORT BRACKETS PAGE 8**

2 - INSIDE SUPPORT BRACKETS ( RT & LT )  
2 - 6MM X 50MM ALL THREAD BOLTS  
2 - 1/4 LOCKWASHERS  
4 - 1/4 X 1 HD. THICK FLATWASHERS

**TOP SUPPORT PLATE KIT PAGES 7,8,9**

2 - TOP SWAY BRACKETS ( RT & LT )  
2 - TOP SUPPORT PLATES ( RT & LT )  
4 - 6MM X 60MM BUTTON HEAD ALLEN BOLTS  
4 - 6MM X 20MM BUTTON HEAD ALLEN BOLTS  
8 - 1/4 USS THICK FLATWASHERS ( 3/4" DIA. )  
8 - 1/4 LOCKWASHERS  
2 - 3/8 USS FLATWASHERS ( 1" DIA. )  
4 - 1/4" ID. X 3/8" OD. X 1 5/16" LONG TUBING SPACERS  
4 - 1" OD. X 3/8 ID. X 1/2" LONG NYLON SPACERS

**FRONT SUPPORT KIT PAGES 7,8,9**

2 - FRONT SUPPORTS ( RT & LT )  
4 - 8MM X 35MM BUTTON HEAD ALLEN BOLTS  
4 - 5/16 LOCKWASHERS  
4 - 5/16 EXTRA THICK FLATWASHERS ( 7/8" DIA. )  
3 - 5/16 SAE THICK FLATWASHERS ( 11/16" DIA. )  
4 - 3/4" DIA. X 3/8" THICK NYLON SPACERS  
1 - 8MM WING NUT  
2 - 8MM X 50MM STUDS

**FRONT & REAR BUMP STOP KIT PAGES 5,6 & 7**

6 - 1 1/2" RUBBER BUMP STOPS  
4 - 5/16 X 3 1/2" ALL THREAD BOLTS  
2 - 5/16 X 2" ALL THREAD BOLTS  
18 - 5/16 JAM NUTS  
12 - 5/16 SAE FLATWASHERS  
6 - 5/16 LOCKWASHERS  
6 - 3/8 FENDER WASHERS ( 1 1/2" DIA. )  
6 - 3M SCUFF PADS  
2 - BLACK HARD PADS 1 1/4" X 2 1/2"  
4 - BLACK TUBING THREAD COVERS  
6 - 5/16 BLACK VINYL COVERS

**LOWER SUPPORT KIT PAGE 4**

2 - LOWER SUPPORTS  
2 - 1/2 X 1 1/2 BOLTS  
2 - 1/2 LOCKWASHERS  
2 - 1/2 USS FLATWASHERS

**INNER SUPPORT KIT PAGE 4**

2 - INNER SUPPORTS  
4 - 3/8 NUTS  
4 - 3/8 LOCKWASHERS  
4 - 3/8 USS FLATWASHERS ( 1" DIA. )

**ROOF RACK TOP MOUNTING KIT PAGES 7 & 9**

6 - TOP SUPPORT BRACKETS  
6 - 3/8 X 2" CARRIAGE BOLTS  
6 - 3/8 H.D. FLATWASHERS ( 1 3/8" DIA. )  
6 - 3/8 NYLON LOCKNUTS

**ROOF RACK ASSEMBLY KIT PAGE 10**

1 - FRONT RACK END ( 54" )  
( EVEN )  
1 - RACK END ( 54" )  
( EVEN )  
2 - SIDES ( 48 1/4" X 4" )  
1 - RACK KIT  
4 - BLACK CROSSBAR PLUGS  
2 - 3/8 X 1 1/2 BOLTS  
2 - 3/8 H.D. LARGE FLATWASHERS  
2 - 3/8 THIN NYLON LOCKWASHERS

**TOP ANGLE MOUNTING BRACKET KIT PAGE 5**

2 - TOP ANGLE MOUNTS  
2 - 7/16 X 1 1/2 BOLTS  
4 - 7/16 SAE FLATWASHERS ( 15/16" DIA. )  
2 - 7/16 TAP LOCKNUTS

**REAR SUPPORT KIT PAGE 5**

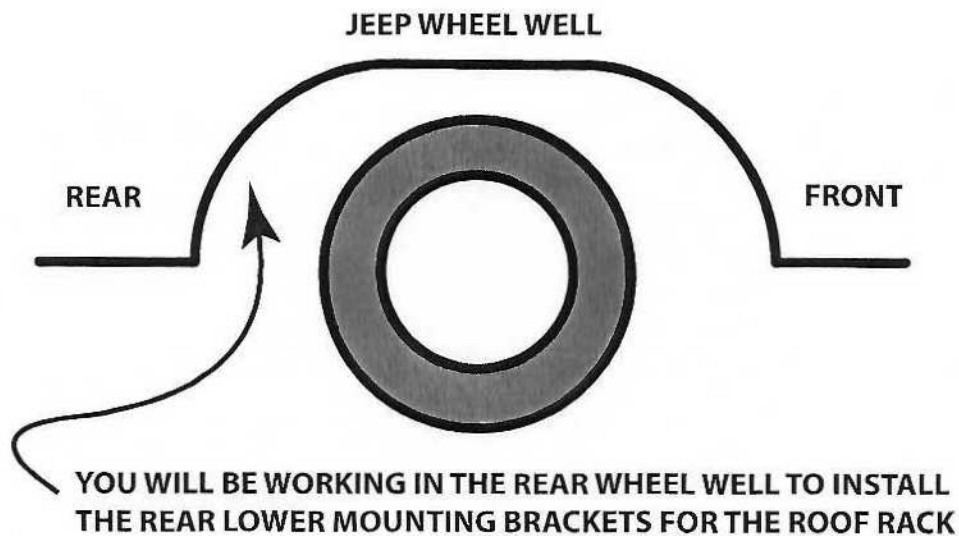
2 - REAR SUPPORTS ( RT & LT )  
4 - 7/16 X 1 1/2 BOLTS  
2 - BLACK 1/8" THICK NYLON PADS  
8 - 7/16 SAE FLATWASHERS ( 15/16" DIA. )  
4 - 7/16 TAP LOCKNUTS

**Part# 20074**  
*JL Expedition Rack*

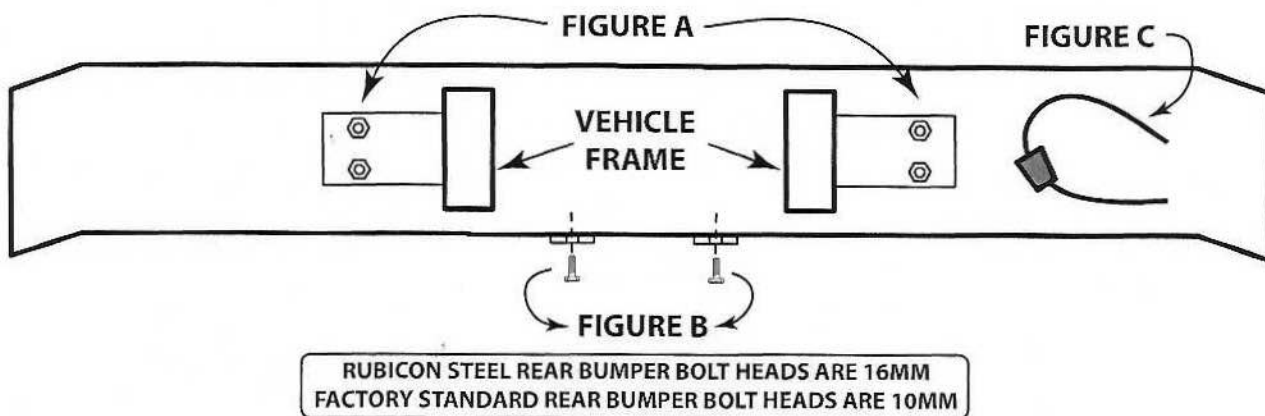
**Installation Instructions**

**Please Note! For an easier installation, leave all fasteners loose until directed to tighten.**

1. Remove factory rear bumper as shown on page 3.
2. Install inner support brackets as shown on bottom of page 3, and figures A & B on page 4.
3. Install rear mounting brackets, page 4, figures B & C. Adjust brackets so the Velcro pad is as close to the body as possible. Align and tighten all fasteners.
4. Re-install rear bumper, support brackets, and plug in the wiring. Tighten all fasteners.
5. Re-install rear plastic panels (6-8mm head screws)
6. Install top angle brackets to rear mounts as shown on page 5, slightly tighten to hold in place.
7. Assemble rear bump stops. Follow the instructions on page 6.
8. Install rear supports and black nylon pads to top angle bracket, as shown on page 5. Slightly tighten to hold in place.
9. Remove radio antenna (3/8" end wrench)
10. Remove front cowlings, 4 (T-40) Bolts.
11. Remove front cowlings and install inside support brackets, as shown on page 8, figure B.
12. Re-install cowlings and install the 8mm x 50mm stud in lower holes. Refer to page 9, figure A. This step will make the front support installation easier.
13. Install top support plates and top support flex brackets as shown on page 8 and 9. Align and tighten all fasteners.
14. Re-install radio antenna
15. Assemble roof rack as shown on page 10.
16. Install roof rack flooring as shown on page 11.
17. Install optional wind deflector (if purchased), part#29964 at this time.
18. Align and tighten all roof rack and flooring hardware.
19. With some help, set the assembled roof rack on the support arms and secure as shown on page 7, figure B and page 5, figure C.
20. After roof rack is aligned and all hardware is tightened, refer to pages 5,6 and 7 for placement of the 3M scuff pads and bump stop adjustment.
21. Touch up all nicks and scratches, that normally occur with a roof rack, with a black rust prevention enamel black paint.
22. We recommend touching up all mounting hardware with a black rust preventive enamel paint. During installation the hardware coating can get chipped off.

**PART# 20074**

- 1 - REMOVE THE PLASTIC PANEL BEHIND THE REAR TIRES ( 6 - 8MM HEAD SCREWS )
- 2 - REMOVE THE OUTBOARD BUMPER SUPPORT BRACKETS ( 8 - BOLTS 16MM HEAD )
- 3 - PULL WHITE TAB UP ABOUT 1/8" ON THE SENSOR WIRING CONNECTER AND UN-PLUG CONNECTER, FIGURE C , ALSO DISCONNECT FROM METAL BRACKET
- 4 - REMOVE THE 4 - 16MM NUTS ( FIGURE A ) AND BOLTS ( FIGURE B )
- 5 - TILT BUMPER UP AND REMOVE REAR BUMPER.



- 6 - AFTER YOU HAVE REMOVED ALL THE PANELS AND BUMPER , YOU WILL SEE A LARGE OVAL HOLE IN THE BODY STRUCTURE AND ON THE BOTTOM YOU WILL SEE A SQUARE HOLE.
- 7 - INSTALL THE INNER SUPPORT BRACKET THRU THE OVAL HOLE AS SHOWN IN FIGURE A, PAGE 4.

FIGURE A

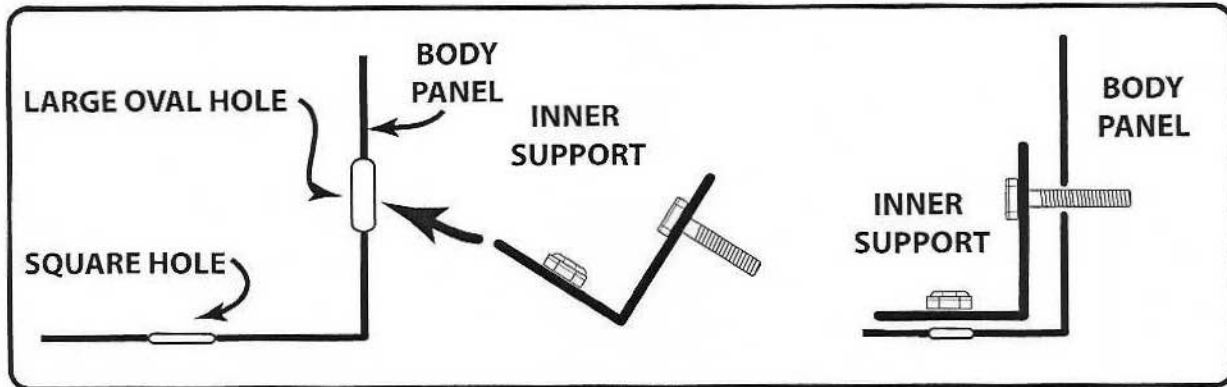


FIGURE B

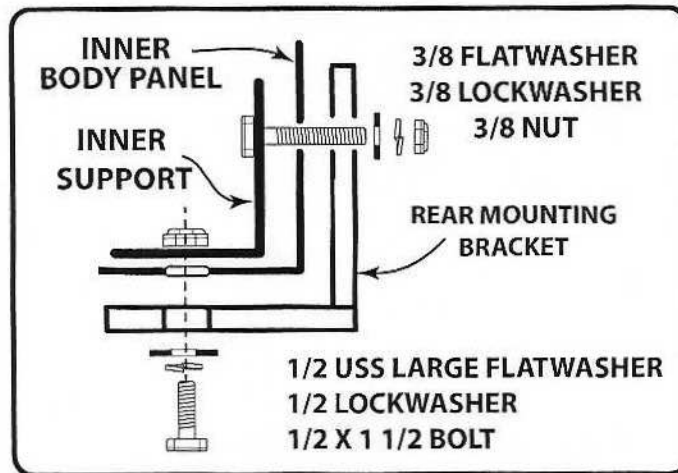


FIGURE C

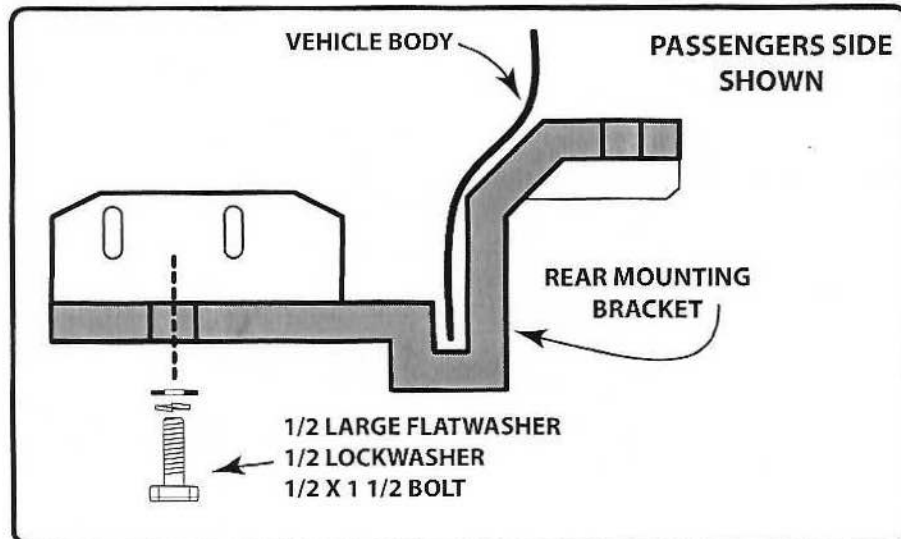


FIGURE C  
THIS VIEW IS FROM  
UNDER THE JEEP  
LOOKING TOWARD  
THE REAR OF THE  
VEHICLE, ON THE  
PASSENGERS SIDE

REAR SUPPORT

LOOKING FORWARD FROM  
THE REAR OF THE VEHICLE  
THIS IS THE PASSENGERS  
SIDE VIEW

BEFORE INSTALLING REAR  
SUPPORT ARMS INSTALL TOP  
RUBBER BUMP STOP REFER TO  
PAGE 6, LINE 2

FIGURE C REAR MOUNTING

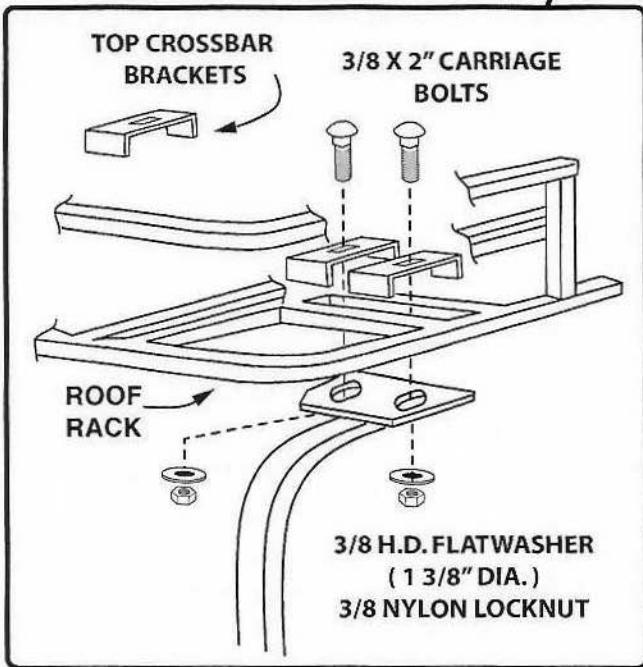
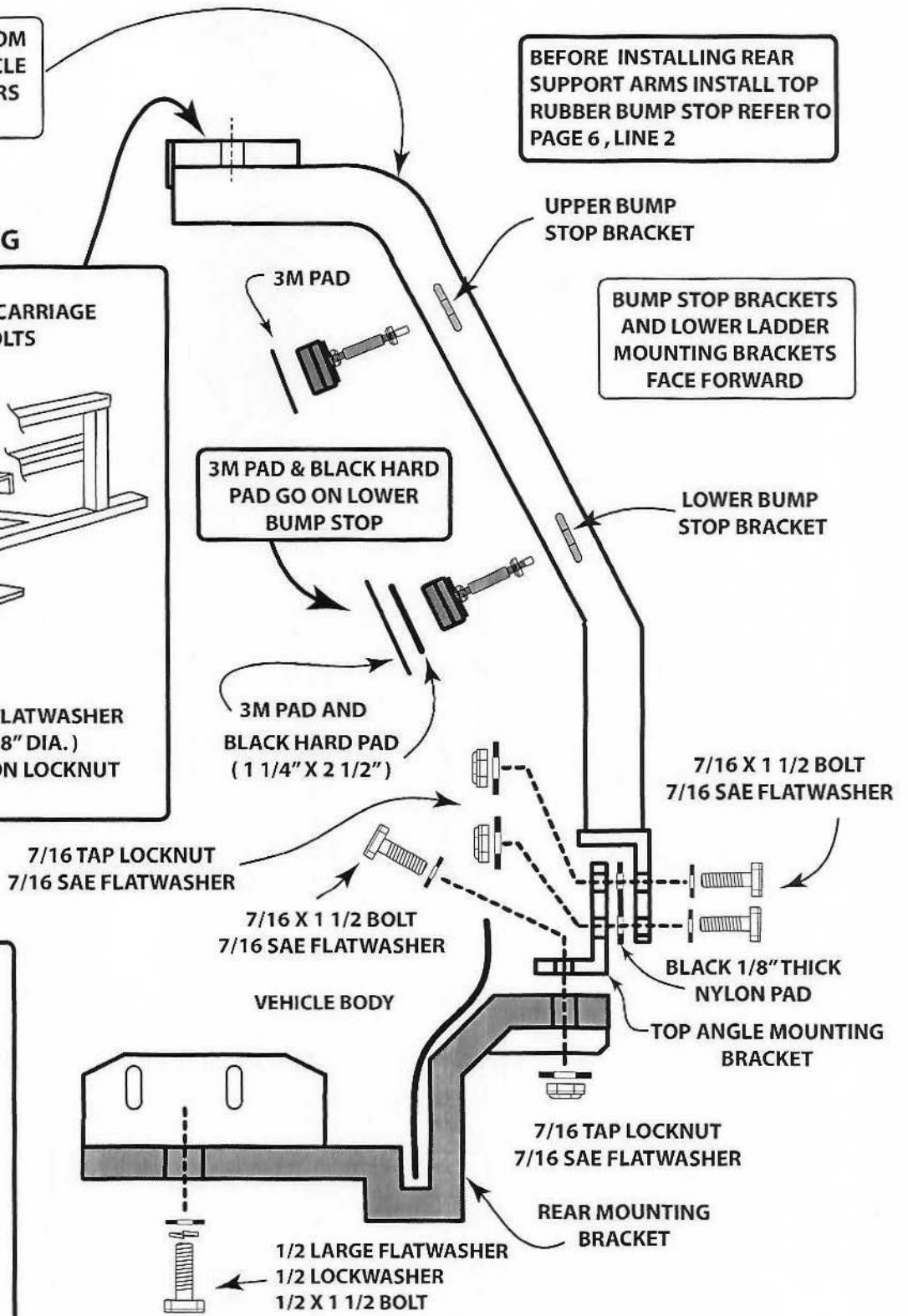
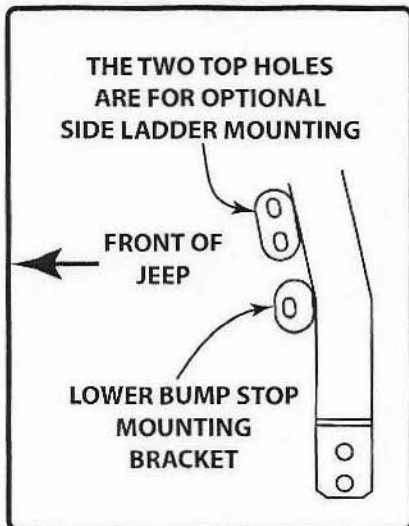
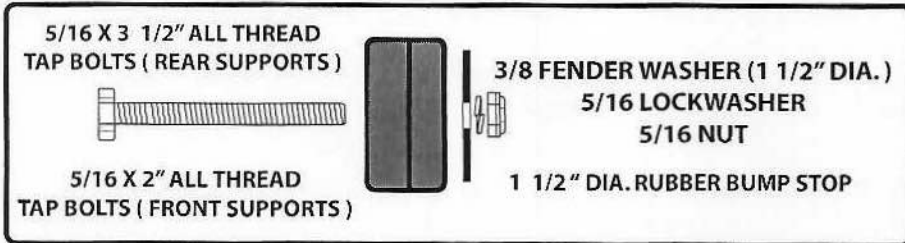


FIGURE B



BUMP STOP BRACKETS  
AND LOWER LADDER  
MOUNTING BRACKETS  
FACE FORWARD

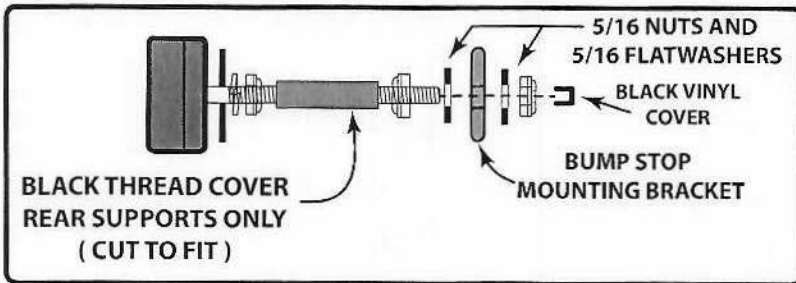
**FIGURE A** FRONT AND REAR BUMP STOP ASSEMBLY



1 - ASSEMBLE RUBBER BUMPER TO TAP BOLT AND TIGHTEN. REFER TO FIGURE A

2 - INSTALL RUBBER BUMP STOPS TO REAR SUPPORTS BEFORE INSTALLING ON VEHICLE. REFER TO PAGE 5 & 6 INSTALL HARDWARE LOOSE TO HOLD ON DURING INSTALATION.

**FIGURE B**

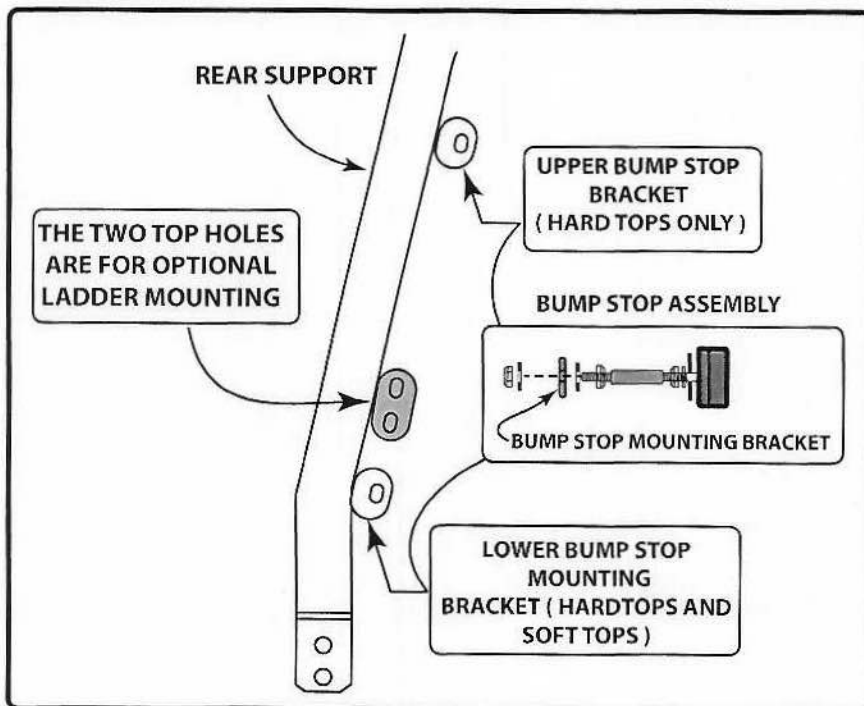


3 - FINISH ROOF RACK INSTALLATION AND AFTER THE ROOF RACK IS ALIGNED AND ALL FASTENERS ARE TIGHTENED, POSITION THE RUBBER BUMP STOP WHERE IT WILL TOUCH THE BODY. AT THAT PLACE , REMOVE THE WHITE BACKING FROM THE 3M SCUFF PAD AND STICK TO BODY.

4 - ADJUST THE RUBBER BUMP STOP SO IT JUST TOUCHES THE BODY. SECURE BY TIGHTENING THE 5/16 NUTS AND LOCKWASHER.

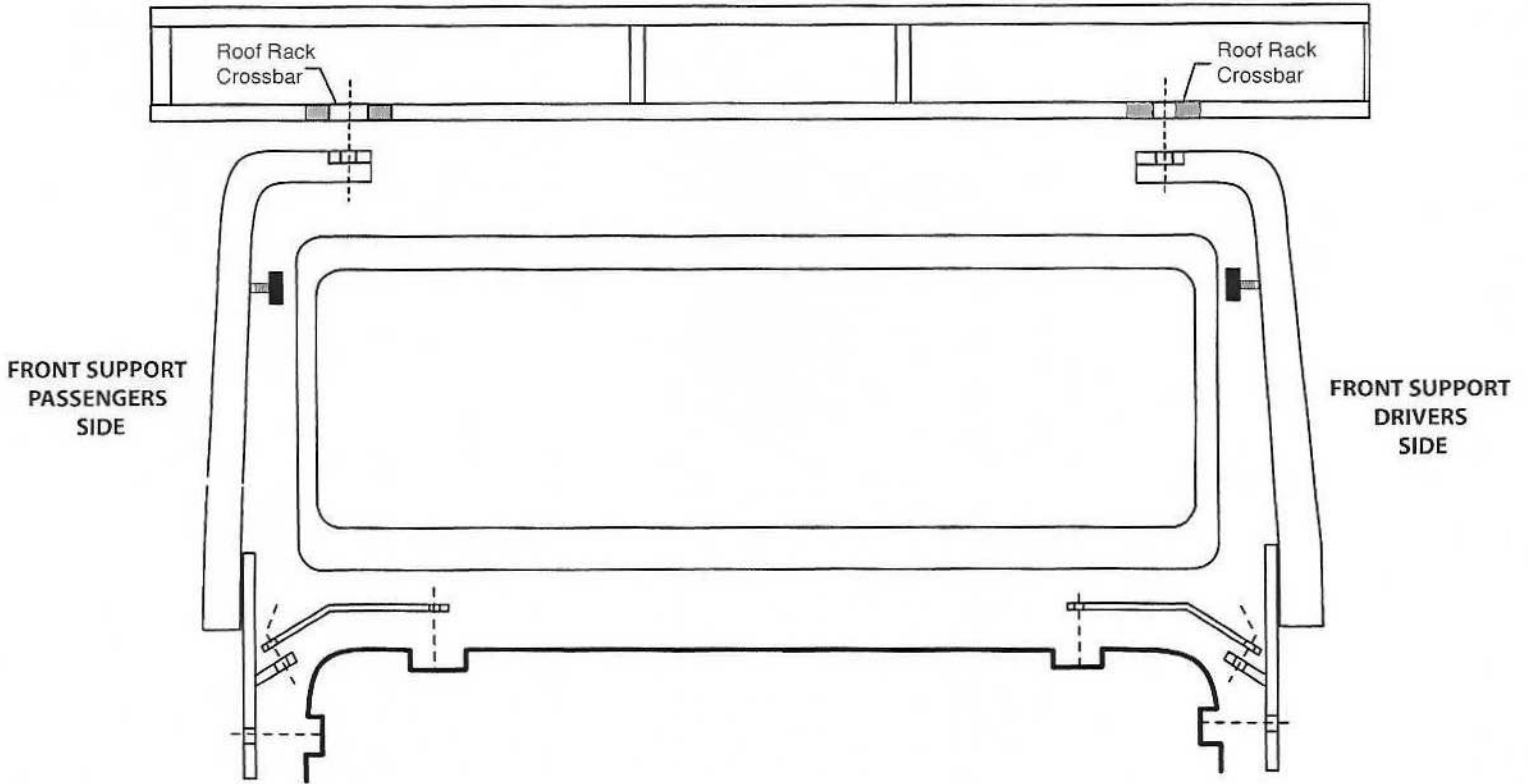
5 - USE SOME VASOLINE JELLY ON THE RUBBER IF A SQUICKING NOISE IS HEARD, AS THE RUBBER BUMPER WILL GET HARD OVER TIME.

**FIGURE C**



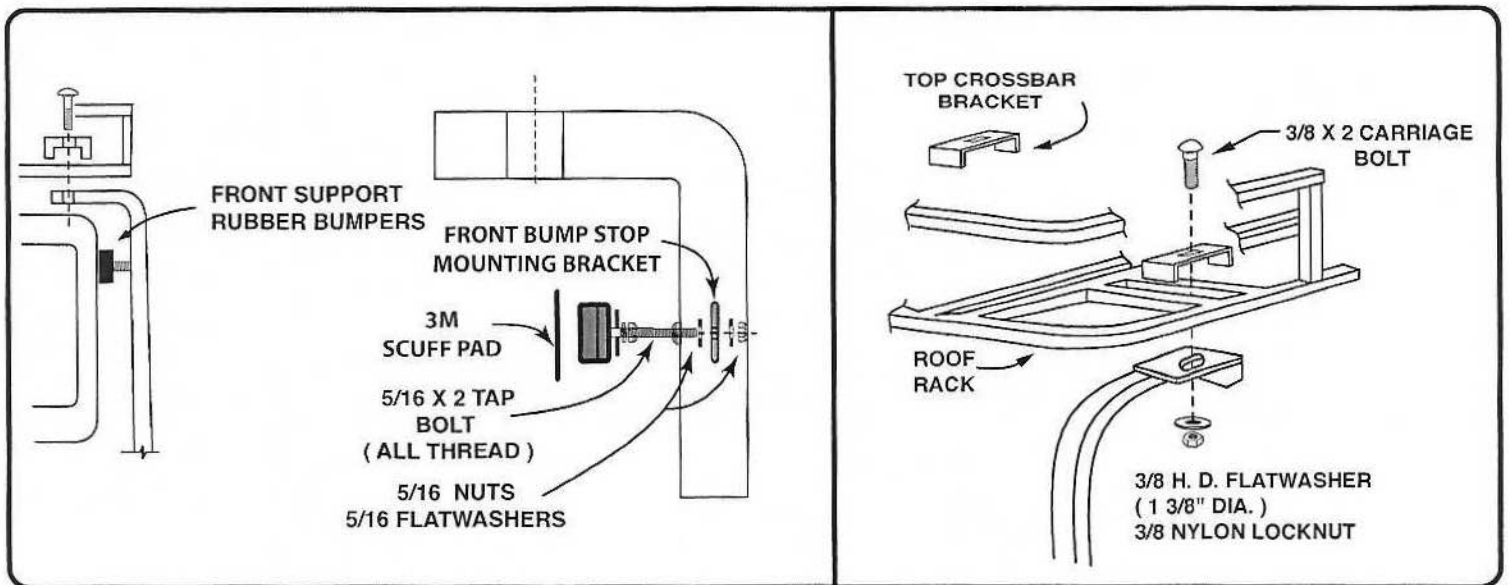
THIS IS LOOKING FROM THE PASSENGERS SIDE TOWARD THE REAR SUPPORT

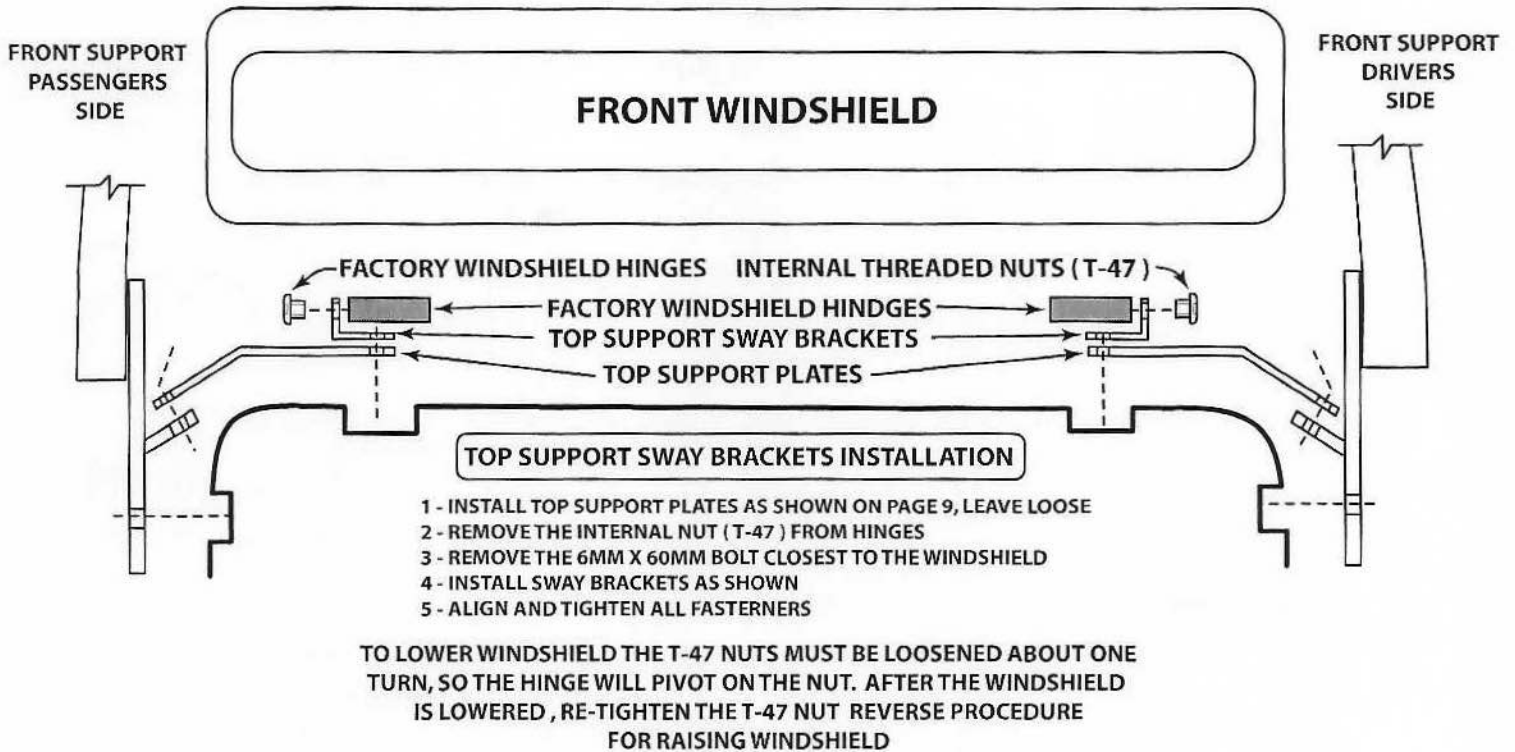
**PART # 20074**



**FIGURE A FRONT SUPPORT RUBBER BUMPER**

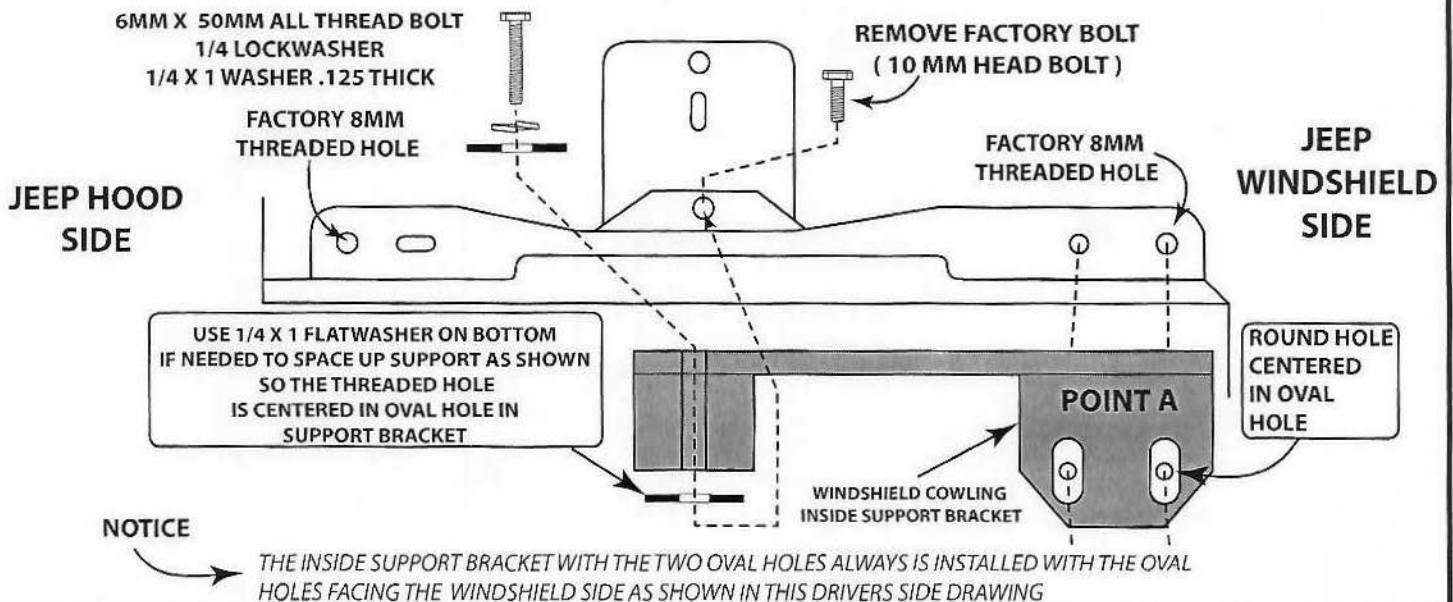
**FIGURE B FRONT MOUNTING**



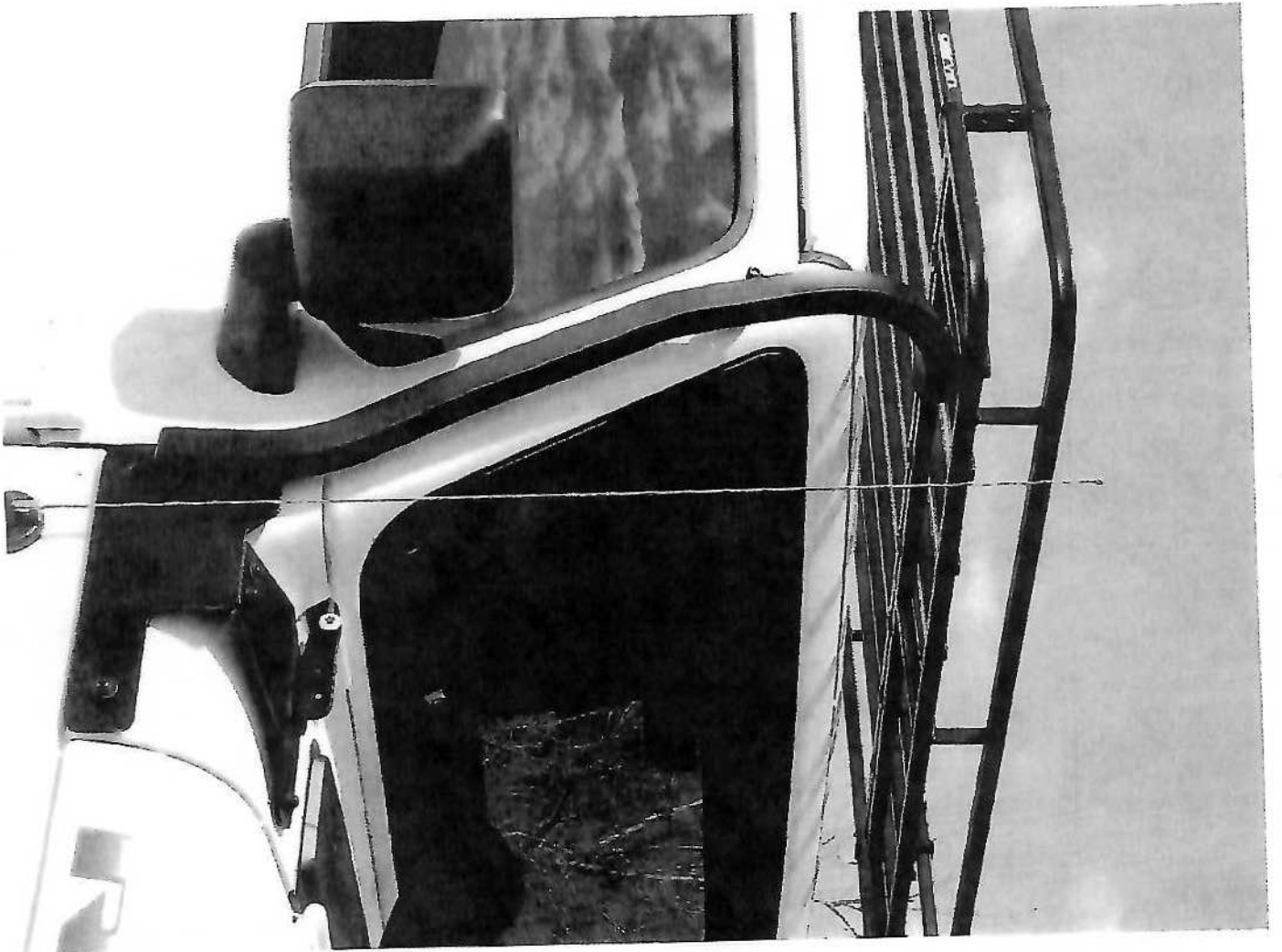
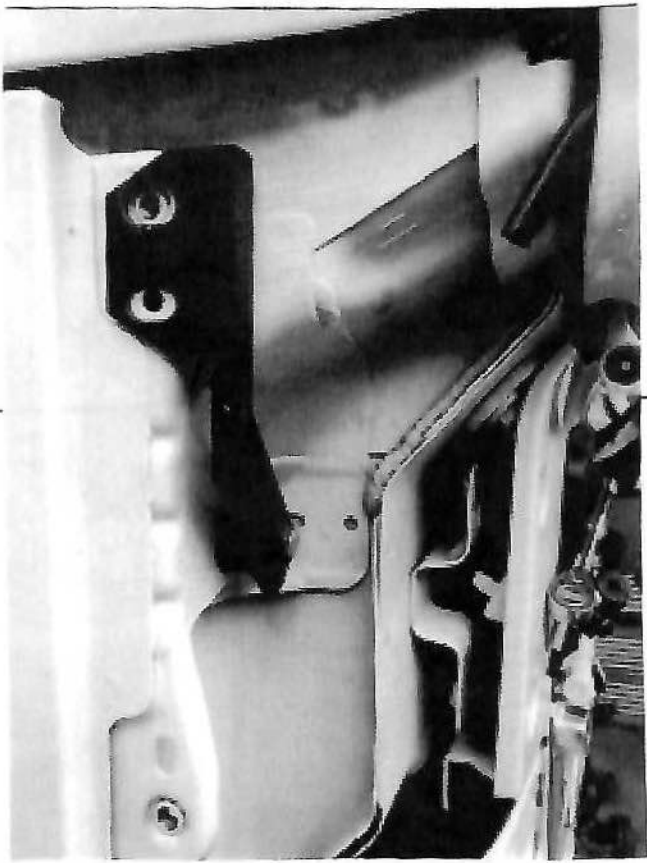


**FIGURE B** WINDSHIELD COWLING INSIDE SUPPORT BRACKET INSTALLATION ( DRIVERS SIDE SHOWN )

- 1 - REMOVE FACTORY ANTENNA ( USE 3/8 END WRENCH ) ( PASSENGERS SIDE ONLY )
- 2 - REMOVE THE 4 BOLTS FROM THE FRONT COWLING PANELS BELOW FRONT WINDSHIELD ( T-40 ) FROM BOTH SIDES
- 3 - REMOVE BOTH COWLINGS , REMOVE FACTORY BOLT AS SHOWN , INSTALL SUPPORT BRACKET AS SHOWN
- 4 - ADJUST SUPPORT BRACKET TO LINE UP WITH THREADED HOLE AS SHOWN, SLIGHTLY TIGHTEN TO HOLD IN PLACE, WITH SLIGHT PRESSURE PUSH BRACKET AT POINT A TOWARD CENTER OF VEHICLE AND TIGHTEN 6MM X 50MM BOLT. RE-INSTALL FRONT COWLINGS AND CONTINUE INSTALLATION ON PAGE 9 FIGURE B.





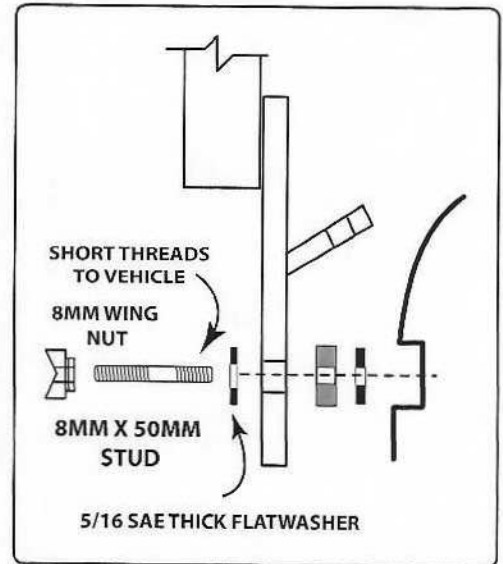


**PART # 20074**

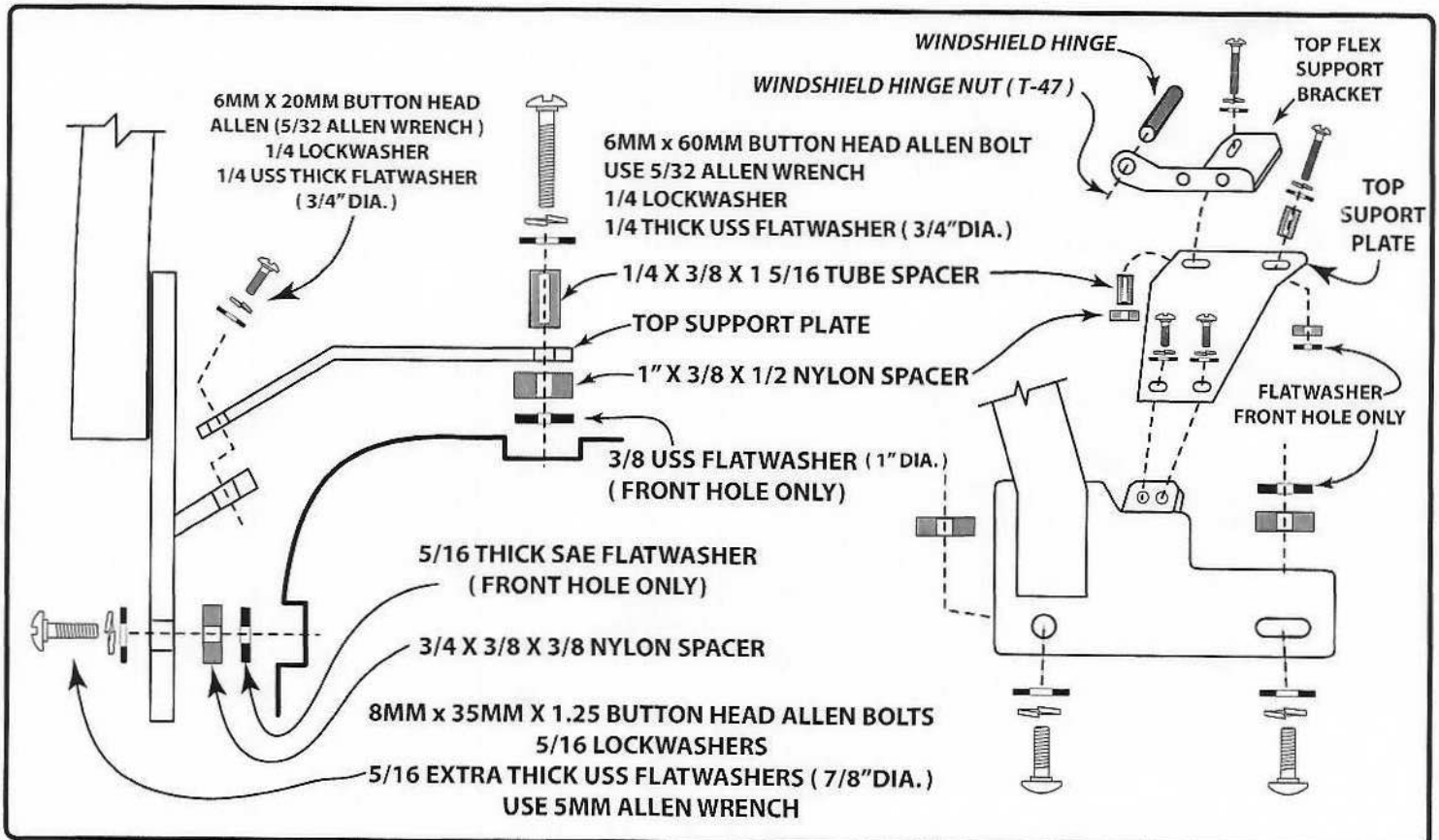
**FRONT SUPPORT STUD KIT  
INSTALLATION**

- 1 - RE-INSTALL FRONT COWLING. INSTALL 8MM STUDS IN LOWER HOLES.
- 2 - INSTALL SPACERS AND FRONT SUPPORT ON 8MM STUDS AND SECURE WITH THE 8MM WING NUT AND FLATWASHER, REFER TO FIGURE A. SLIGHTLY TIGHTEN TO HOLD IN PLACE.
- 3 - REMOVE THE OTHER STUD AND INSTALL THE 8MM BOLT, LOCKWASHER AND FLATWASHER ( FIGURE B ) SLIGHTEN TIGHTEN TO HOLD IN PLACE.
- 4 - REMOVE WING NUT AND STUD AND INSTALL 8MM BOLT AND HARDWARE SLIGHTEN TIGHTEN TO HOLD IN PLACE.
- 5 - REPEAT PROCEDURE ON OTHER SIDE AND CONTINUE FRONT SUPPORT INSTALLATION.

**FIGURE A**



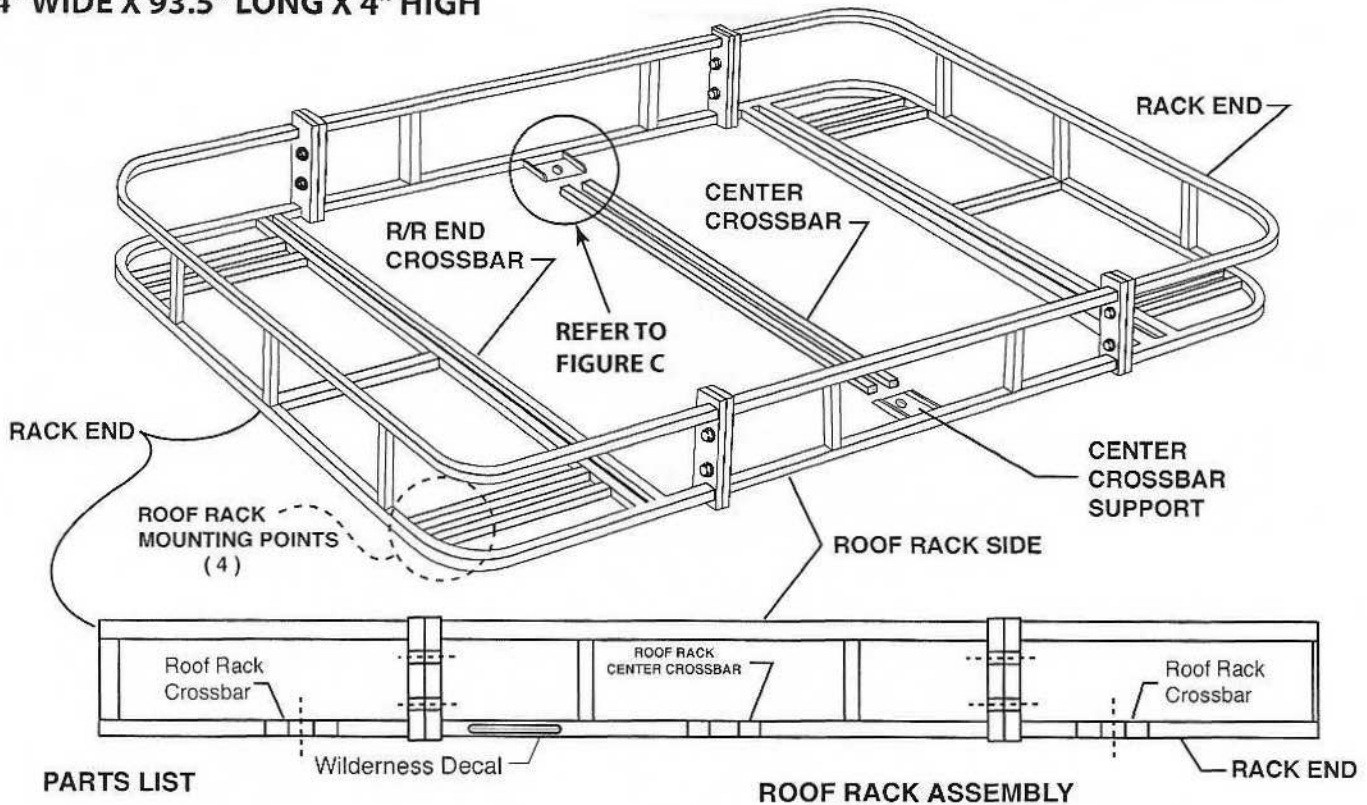
**FIGURE B**



**JL WRANGLER 4 DR HARD TOP &  
SOFT TOP EXPEDITION RACK  
GENERAL ASSEMBLY INSTRUCTIONS  
54" WIDE X 93.5" LONG X 4" HIGH**

**PART # 20074**

**PAGE 10 OF 11**

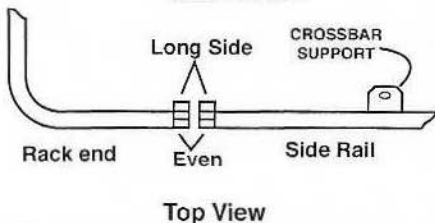


**ROOF RACK ASSEMBLY**

- 1 - Assemble roof rack ends to roof rack sides as shown in FIGURES A & B.
- 2 - Install black plastic plugs into crossbar ends FIGURE C.
- 3 - Install crossbar to crossbar supports as shown in FIGURE C.
- 4 - Align roof rack, crossbar and tighten all fasteners.
- 5 - Roof rack flooring and vehicle mounting are shown in their respective installation instructions, REFER TO PAGE 8.
- 6 - USE COMMOND SENSE WHEN LOADING ITEMS ON THIS ROOF RACK.
- 7 - THE RACK WILL SUPPORT MORE WEIGHT THAN THE VEHICLE WILL SAFELY SUPPORT.
- 8 - AS A GENERAL RULE UP TO 300 LBS. EVENLY DISTRIBUTED IS A SAFE DRIVING LOAD / WITH A STATIC LOAD ( SUCH AS A TENT ) WILL SUPPORT 600 LBS.

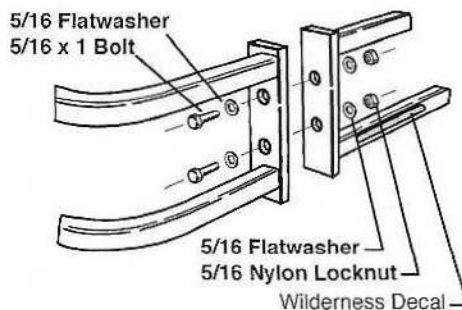
**FIGURE A**

When installing the side rails to the rack ends, use bolt kit # 2000, the even sides must face outside and the crossbar support must face inboard

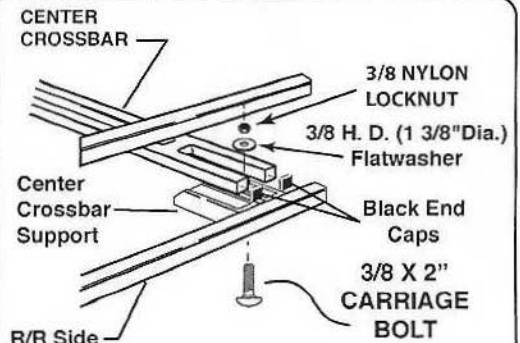


**FIGURE B**

USE BOLT KIT # 2000 FOR THIS ASSEMBLY

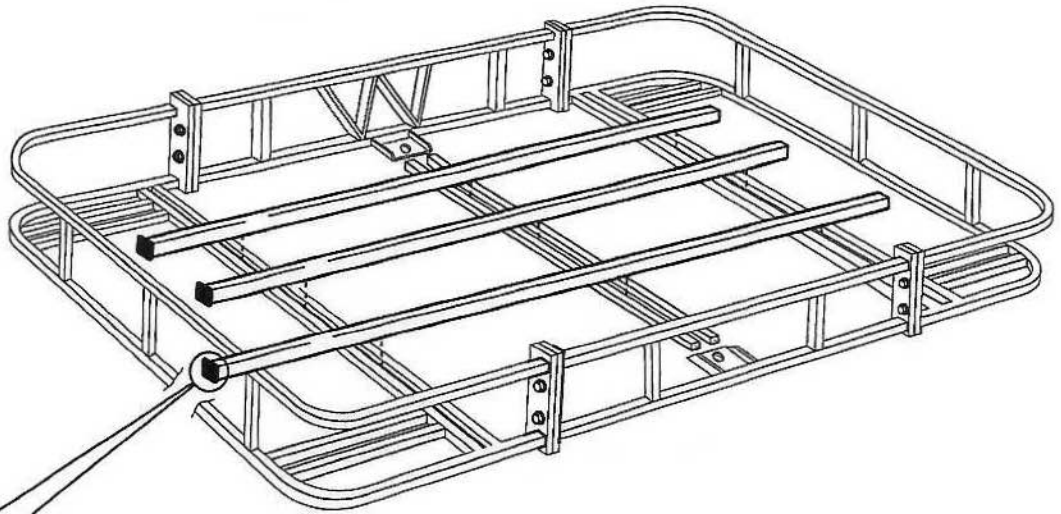
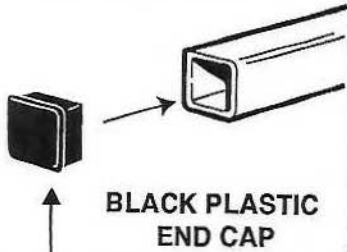


**FIGURE C**



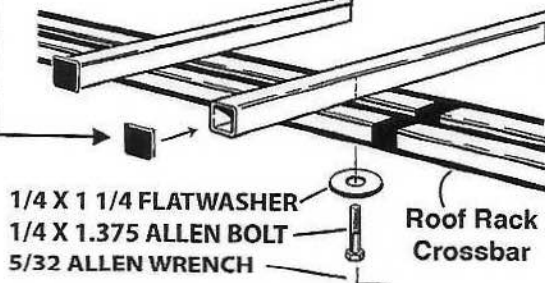
**FIGURE K**

Install black plastic plugs into end of flooring. Use silicon around plug before installing for added protection in (wet) weather conditions.



**FIGURE L**

Roof Rack Flooring



Apply Loctite to threads of 1/4 x 1.375" bolts for off road use.

SEE YELLOW CAUTION SHEET BEFORE TIGHTENING FLOORING BOLTS

AFTER INSTALLATION TOUCH UP ALL MOUNTING HARDWARE WITH A SATIN OR SEMI-GLOSS RUST PREVENTIVE BLACK PAINT FOR BETTER PROTECTION

THE 8 FLOOR PIECES THAT ARE SUPPLIED WITH THIS KIT, MOUNT ON THE TOP OF THE 3 ROOF RACK CROSSBARS. ADDITIONAL FLOOR PIECES CAN BE PURCHASED FROM GARVIN INDUSTRIES.

**INSTALLATION INSTRUCTIONS**

**ALL FLOORS MOUNT TO THE 3 CROSSBARS ON THE RACK**

- 1 - INSTALL BLACK PLASTIC END CAPS IN FLOOR ENDS ( FIGURE K)
- 2 - INSTALL FLOORS TO ROOF RACK CROSSBARS ALL 3 ( FIGURE L )
- 3 - START ALL BOLTS IN FLOORING ( FIGURE B ), LEAVE BOLTS LOOSE, EVENLY SPACE FLOORS ON ROOF RACK.
- 4 - ALIGN FLOORS AND THEN READ THE YELLOW CAUTION SHEET ( ENCLOSED ) BEFORE TIGHTENING 1/4 X 1.375" BOLTS.
- 5 - WHEN SPACING THE TWO (2) OUTBOARD FLOORS, MAKE SURE THEY CLEAR THE ROOF RACK MOUNTING POINTS AS SHOWN IN THE DRAWING ABOVE.
- 6 - WHEN INSTALLING THE SPARE TIRE CARRIER PART# 29880, THE TWO MIDDLE FLOORS MUST BE SPACED SO THE OUTSIDE MEASUREMENT IS 5 3/8".