

Quadratec® LED Replacement Foglights

Installation Manual: for '07-Current Jeep Wrangler JK

#97109.001X



PARTS LIST:

LED Foglights - QTY 2
Adapter Harness - QTY 2

REQUIRED TOOLS:

Safety Glasses
Flat & #2 Phillips Head Screwdrivers
4mm Hex Head (Allen) Wrench

CAUTION

READ ALL SAFETY MESSAGES AND UNDERSTAND ALL INSTRUCTIONS BEFORE ATTEMPTING TO INSTALL THIS PRODUCT. ALWAYS WEAR SAFETY GLASSES DURING INSTALL.



Before you begin:

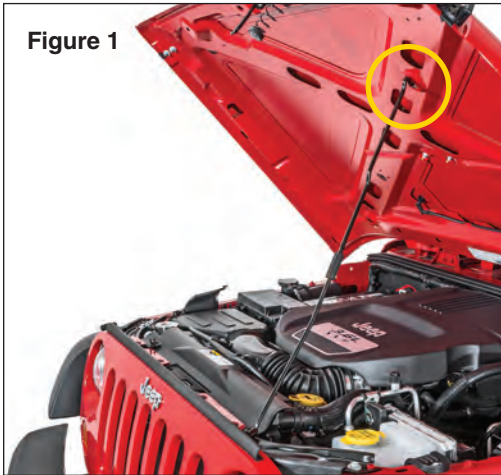
Fog light installation can be achieved by either removing the front bumper, or by removing the front grill and associated trim pieces.

These instructions are based upon removing the grill and leaving the front bumper in place.

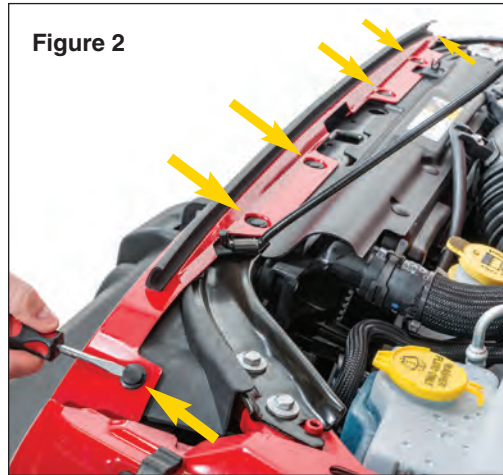


The Trusted Source

Preparing to Install LED Foglights



Put on safety glasses. Open the hood of your Jeep®. Put the prop rod into the correct slot to hold hood open (Fig 1).



Locate the six plastic fasteners that secure the front grille to the upper body support (Fig 2).



Depending on your model year, pry up or unscrew the plastic fasteners (6 total) using a small screw driver. Early vehicles may feature phillips head screws, but most vehicles have a pry-up rivet as shown (Fig 2). First remove the center, then remove the body of each plastic retainer (Fig 3). Set rivets & screws aside in a safe place for re-installing the grille.

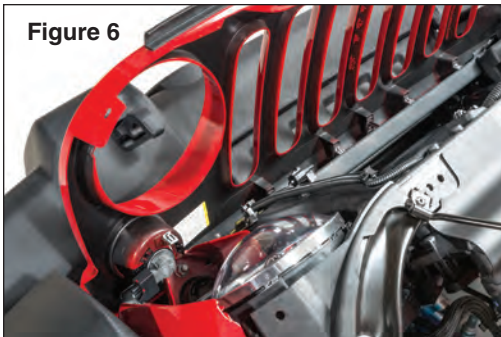


To remove the grille, carefully disconnect the two front turn signal bulbs (Fig 5) with a quarter-turn.



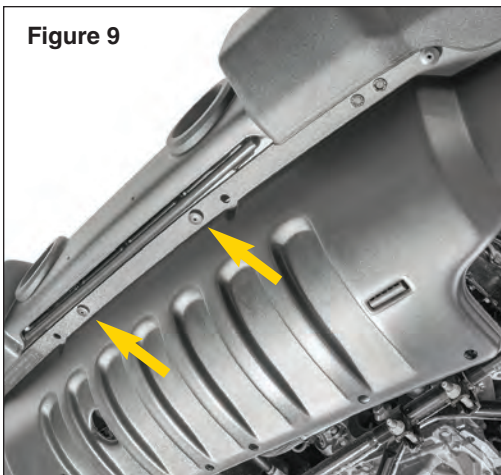
The Trusted Source

Preparing to Install LED Foglights

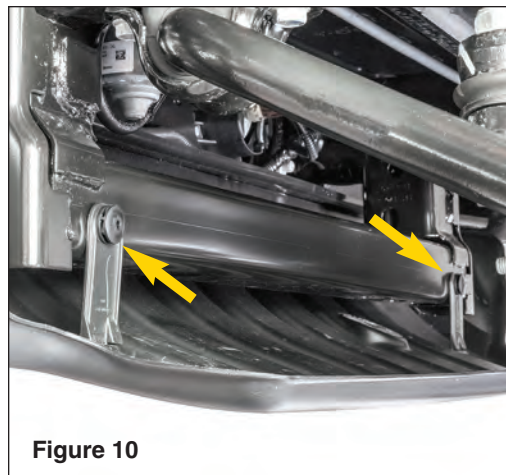


Gently pop the grille from its lower retainer clips. Carefully set the grille aside for eventual re-installation.

Remove the two fasteners from the Frame cover using a Philips head screwdriver (Fig7) and carefully slide the cover to the side to allow access to the back of the bumper. (Fig8)



For easy access to Fog Light housings, remove the factory plastic air dam. Start by unscrewing the plastic Phillips head screws and removing plastic rivets.



These are located on the underside of bumper and backside of crossmember as shown in figures 9 & 10. Remove air dam and save all screws & rivets.



The Trusted Source

Preparing to Install LED Foglights



Figure 11

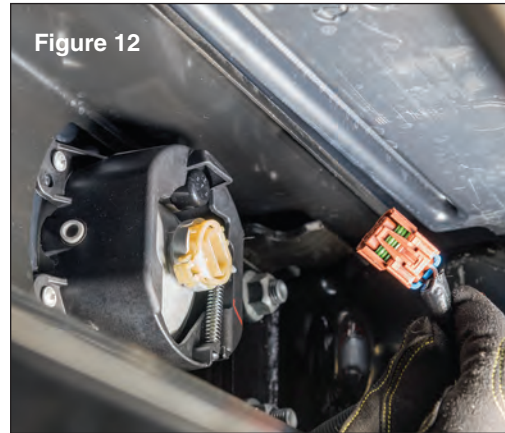


Figure 12

Removing the Fog Lights:

Starting with the Driver's Side, Locate the back of the driver side Fog light by looking under your vehicle on the back of the bumper (Fig 3). On the back of the Fog lamp housing are four (4) Phillips head screws that secure the housing to the bumper.

From under the vehicle, remove these screws using a Phillips head screw driver (Fig 3) and set them aside in a safe place for re-installation. Disconnect the wiring connector from the Factory fog light by depressing the clip on the connector and gently pulling.



Figure 13

Remove Factory Fog Lights as shown in Figure 13.

Connect the Deutsch connector end of the adapter harness to the LED fog light harness and then connect the other end to the vehicle wiring harness, as shown in Figures 14 & 15. Repeat for other side.



Figure 14



Figure 15



The Trusted Source

Preparing to Install LED Foglights

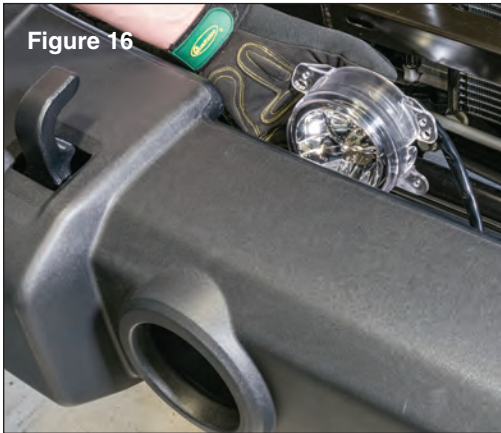


Figure 16

Install Fog Lights:

Install the LED fog lights using the factory Philips head screws. Snug the screws but do not over tighten.

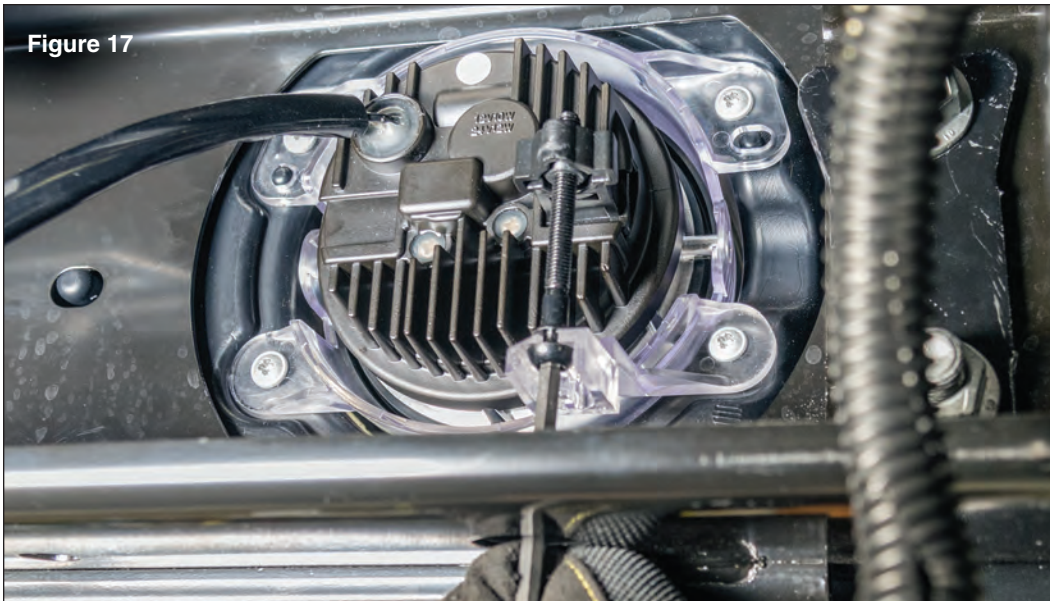


Figure 17

Minor adjustment of the aim of the fog lights can be made using a 4mm Allen wrench through the access hole in the bottom of cross member.

Do not over adjust the light in either direction as this may cause damage to the adjuster mechanism. If your vehicle is lifted you may need to shim the bottom two attachment tabs in order to achieve proper fog light aim.

NOTICE

BE SURE TO ADJUST FOGLIGHT AIM IN SMALL INCREMENTS TO AVOID DAMAGING THE ADJUSTERS IN THE LED FOGLIGHTS.



The Trusted Source



Steps to replace the front grille, frame cover and air dam are the opposite of removal. Place the Grille in lower retainer clips, and click into place, check all light connections, tilt grille back into position, click into place and reinstall all plastic rivets to secure.



The Trusted Source

ONLY \$399.99 FOR A PAIR

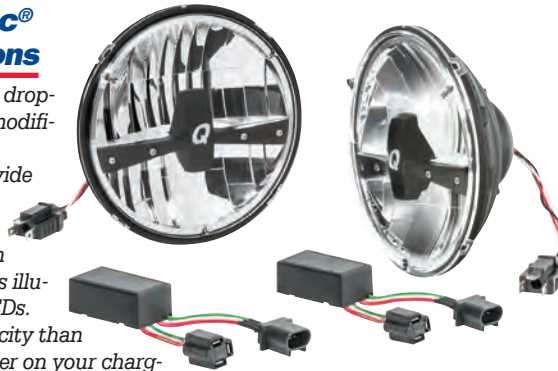
NEW! Quadratec® LED Headlamps

SUPREME LIGHT, PRICED RIGHT! ANTI FLICKER MODULE INCLUDED!

LIGHTS OFF LOW BEAM HIGH BEAM

GREAT LOW PRICE! Quadratec® LED Headlamp Upgrade Conversions

See better and farther when driving at night! These drop-in replacements are truly plug-n-play requiring no modifications and installation takes only 20-30 minutes. Headlamps feature horizontal LED modules that divide the high and low beam reflectors. The top half of the lamp features the low beam light source that's powered by one super powerful 15 watt LED. When the high beam is activated, the bottom half becomes illuminated by four additional high powered 3 watt LEDs. These battery friendly lamps draw much less electricity than conventional incandescent lamps making them easier on your charging system. Our lamps exceed DOT and federal motor vehicle safety standards (FMVSS #108) and are approved for highway use in all 50 states. This is a true drop-in replacement for all 7" round dual beam headlamp designs and come with **Quadratec's 3 Year Limited Warranty.**



For '07-'15 Wranglers #97109.0001... **\$399.99 Pair** (Anti flicker modules included!)

FREE SHIPPING
On Orders \$75 & Over*



Quadratec® Mechanic Style Recovery Gloves

Quadratec's Mechanic Style Recovery Gloves feature cowhide palms with SBR padding to combat your hands from cable burrs and rope burns, while a combination of synthetic leather and neoprene lines the glove allowing excellent breathability and functional dexterity. Large or Extra-Large.



Mechanics Gloves Pair #95115.000X ... **\$14.99**



Quadratec.com

Quadratic® Exclusive Three Year Limited Warranty

Your Quadratic® branded accessories are covered by the following **Limited Warranty** provided exclusively by Quadratic, Inc., 1028 Saunders Lane, West Chester PA 19380.

This **Limited Warranty** is the only warranty made in connection with your purchase. Quadratic neither assumes nor authorizes any vendor, retailer or other person or entity to assume for it any other obligation or liability in connection with this product or **Limited Warranty**. This **Limited Warranty** does not apply and is not cumulative to any accessory or part distributed by Quadratic for which the Manufacturer provides a separate written warranty.

What is Covered: Subject to the terms, exclusions and limitations herein and with respect only to Quadratic branded accessories first sold in the United States, Quadratic warrants to the initial retail purchaser only that your Quadratic accessory shall be free of defects in material and workmanship: **for a period of three (3) years from date of retail purchase.**

This **Limited Warranty** is not assignable and shall terminate upon sale of the vehicle upon which the Quadratic accessory is installed or other transfer third persons.

All other warranties are hereby disclaimed, except to the extent prohibited by applicable law in which case any implied warranty of merchantability or fitness for a particular purpose on this product is limited to 3 year from date of initial retail sale. Quadratic reserves the rights to: (a.) require invoice or other proof your accessory is within the terms of this **Limited Warranty** as a condition of warranty service and, (b.) make future revisions to this product and **Limited Warranty** without prior notice or obligation to upgrade your product.

What is Not Covered:
Your Quadratic **Limited Warranty** does not cover products or parts Quadratic determines to have been damaged by or subjected to:

(a.) installation damage, alteration, modification, combination with other parts, failure to maintain or improper repair or service, (b.) normal wear & tear, cosmetic damage or damage from moisture or water immersion, (c.) Acts of God, accidents, misuse, negligence, inadequate mounting or impact with vehicle(s), obstacles or other aspects of the environment, (d.) theft, vandalism or other intentional damage.

Remedy Limited to Repair/Replacement:
The exclusive remedy provided hereunder shall, upon Quadratic inspection and at Quadratic's option, be either repair or replacement of product or parts (new or refurbished) covered under this **Limited Warranty**. Customers requesting warranty consideration should first contact Quadratic to obtain a RGA number (610-701-3336). All labor, removal, shipping and installation costs are customer's responsibility.

Other Limitations - Exclusion of Damages - Your Rights Under State Law:

In consideration of the purchase price paid, neither Quadratic nor any independent Quadratic distributor/licensee are responsible for any time loss, rental costs, or for any incidental, consequential, punitive or other damages you may have or incur in connection with any part or product purchased. Your exclusive remedy hereunder for covered parts is repair/replacement as described above.

This **Limited Warranty** gives you specific rights. You may also have other rights that vary from state to state. For example, some states do not allow limitations of how long an implied warranty lasts and /or do not allow the exclusion or limitation of incidental or consequential damages, so the limitations and exclusions herein may not apply to you.

©Quadratic, Inc. 2014. All Rights Reserved.
10.16.14 LTR Version

Part #12999.9029



The Trusted Source