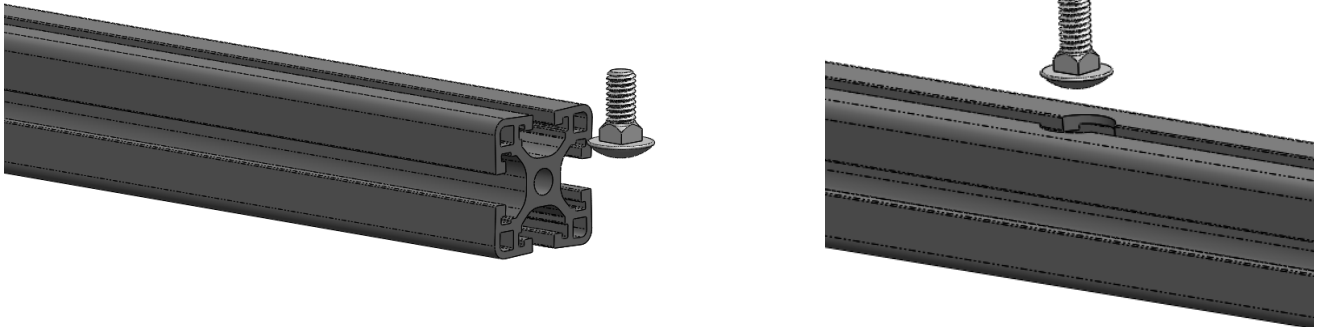




## Grab Rail Installation Instructions

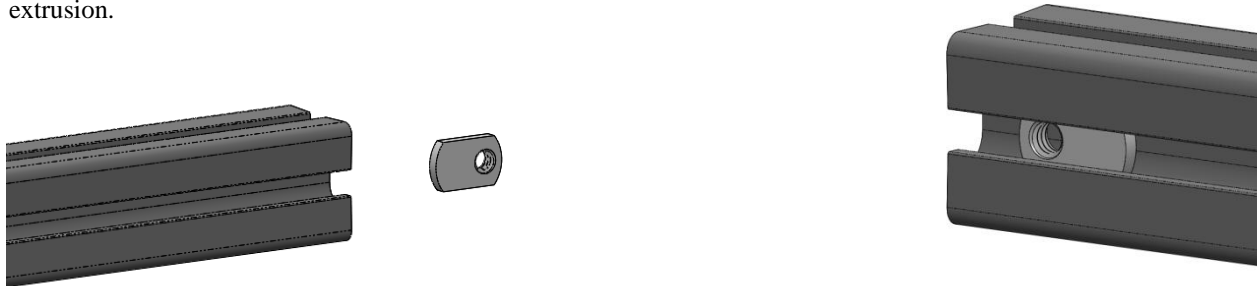
### Step 1

- Remove end caps from extrusion.
- Slide four 5/16" x 3/4" carriage bolts into the top of the extrusion. Either slide from the end of the extrusion or through one of the access holes.



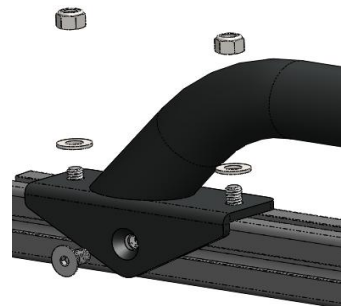
### Step 2

- Slide two 5/16" weldnuts into extrusion. Slide from either end of the extrusion.



### Step 3

- Place Grab-Rail and match up with fasteners previously installed. Attach top of Grab-Rail to carriage bolts using four 5/16" flat washers and four 5/16" NYLOC nuts.
- Bolt the side of the Grab-Rail into the weldnut using two 5/16" flat head screws.
- Snug tighten



### Step 4

- Position your Grab-Rail in desired location.
- Tighten nuts and bolts to secure K-Rail.



Your installation is now complete.