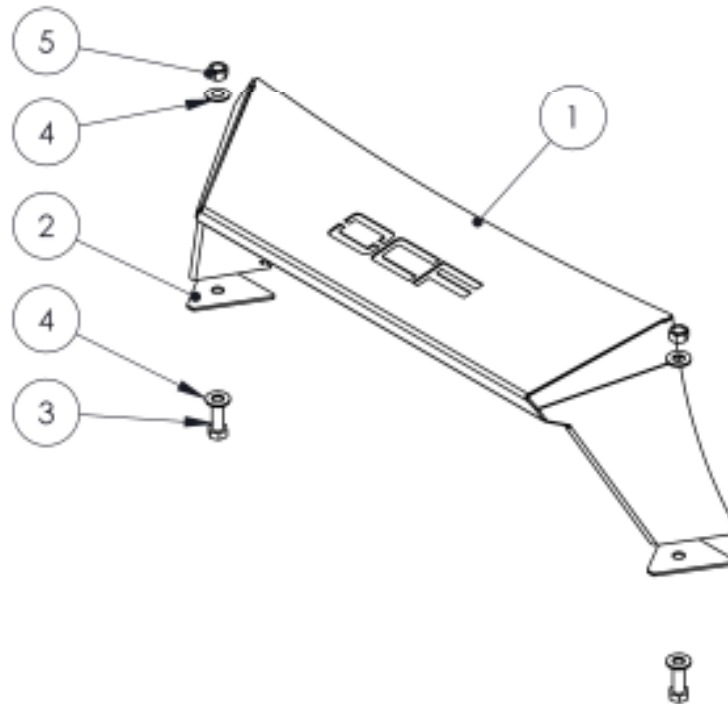


182766

**07-15 JEEP JK FORMED FRONT LIGHT BAR
FOR OCF BUMPERS**

**OFF CAMBER
FABRICATIONS**

by: **MBRP** INC.



1. LIGHT BAR
2. GASKET [2 PCS]
3. 1/2"X1.5" BOLT [2 PCS]
4. 1/2" FLAT WASHER [4 PCS]
5. 1/2" NUT [2 PCS]

PLEASE READ BEFORE STARTING INSTALLATION

While MBRP Inc. has made every effort to ensure that all components of this kit are of superior quality and properly packaged, it is the installer's responsibility to ensure the following before starting:

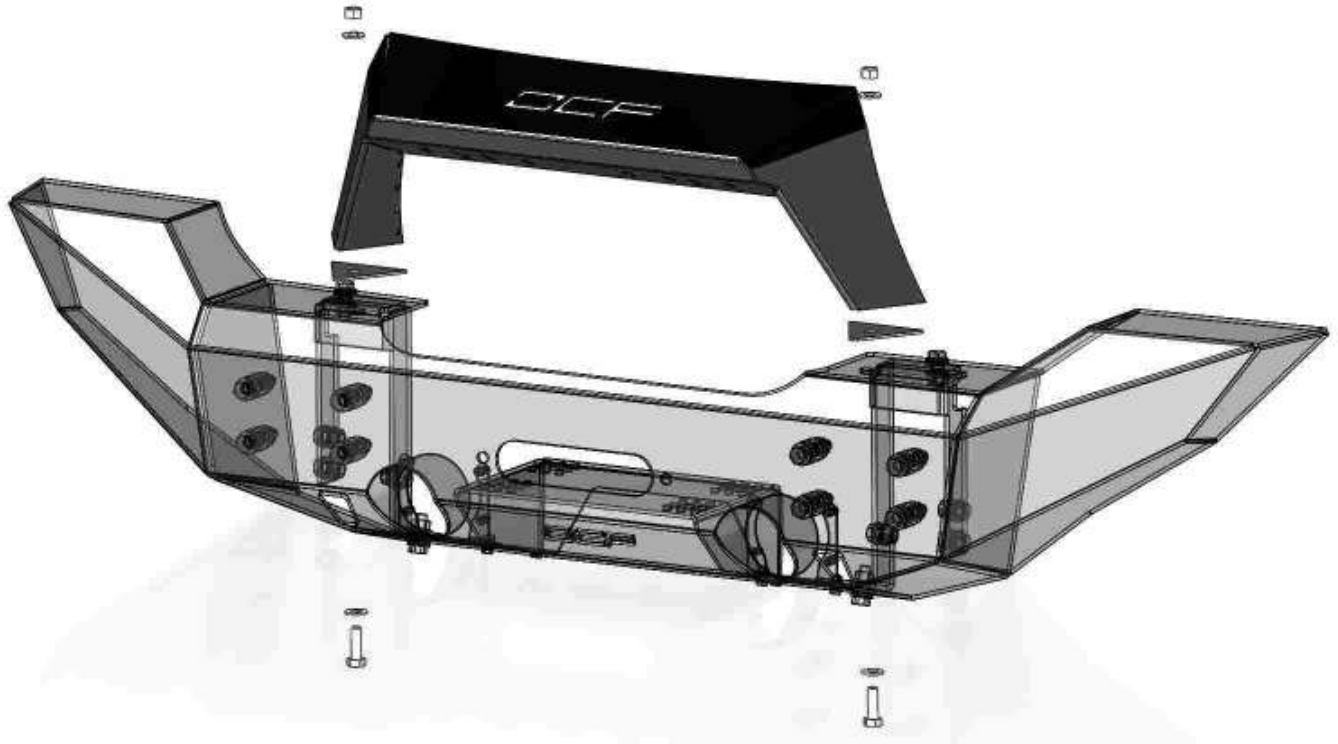
- that ALL components shown above are present.
- that ALL mating components fit together.
- that there are no damaged components.
- that the kit you have purchased is appropriate for your year and model of vehicle.
- that the kit will not interfere with any modifications previously installed or planned.
- that you have read and understand these instructions.

If you have any questions or are uncertain about any aspect of the installation of this kit on your vehicle please contact your dealer before commencing installation.

2007-2015 Jeep JK Bumper Light Bar Kit

NOTE: This kit requires installation of an *Off Camber Fabrications* Front Bumper Kit.

If you plan to wire up lights, The wiring can be hidden by drilling the top face of the bumper to allow the wiring to pass through from inside the Light Bar.



1. Loosely Place the two **Gaskets** between the **Light Bar** and the top face of the bumper.
2. While holding the **Light Bar** in position on the bumper, loosely install the supplied $\frac{1}{2}$ "x1.5" **Bolts**, $\frac{1}{2}$ " **Washers**, and $\frac{1}{2}$ " **Nuts**.
3. Align the profile of the **Gaskets** with the **Light Bar** and tighten the fasteners.

Congratulations! You are finished. We are sure that you will enjoy This *Off Camber Fabrications* product by *MBRP Inc.*