

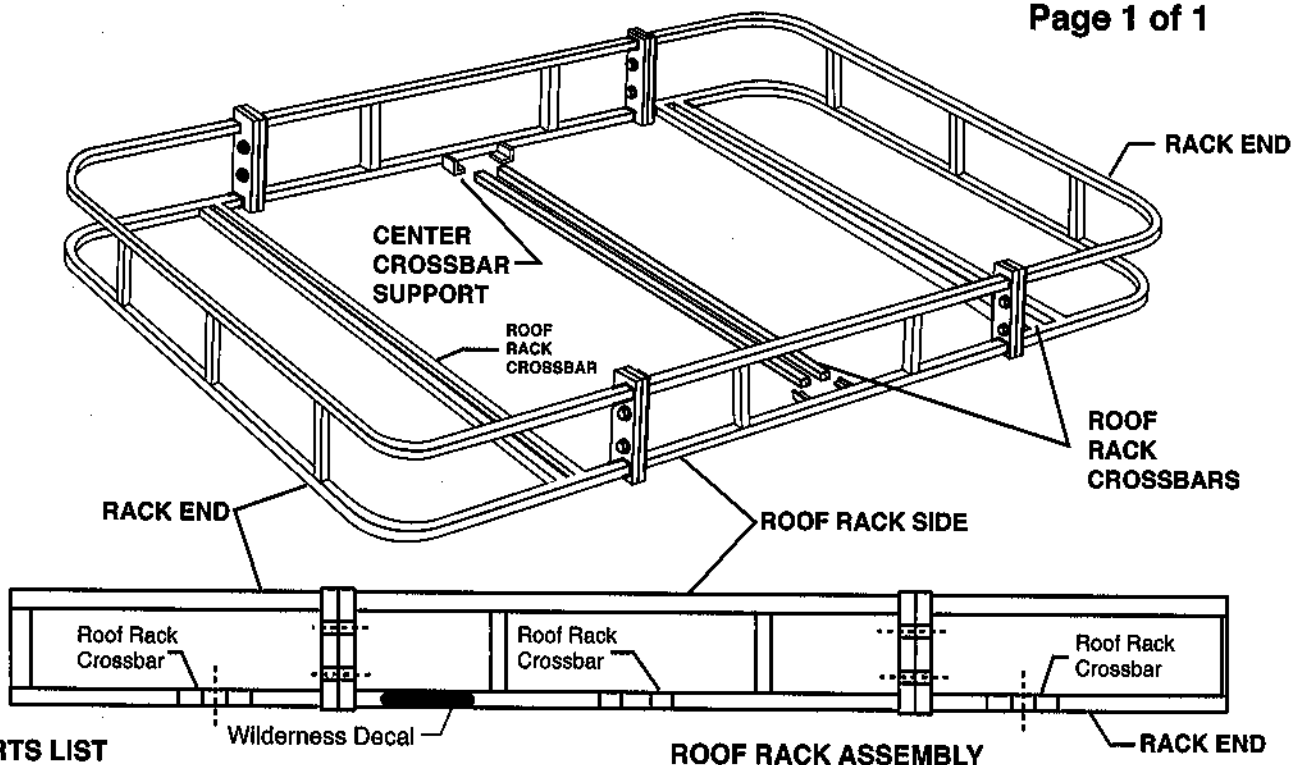
WILDERNESS OFF ROAD RACK SERIES

General Assembly Instructions

PART# 46606 Size: 4' 6" x 6' x 6"



Page 1 of 1



- 1 - FRONT RACK END (4' 6" x 6")
- 1 - REAR RACK END (4' 6" x 6")
- 2 - SIDES (48 1/4" x 6")
(WITH 2 1/2" ANGLE WELDED ON)
- 1 - CROSSBAR (52")
- 4 - BLACK CROSSBAR PLUGS
- 1 - BOLT KIT # 2000
- 2 - 3/8 X 1 1/2 BOLTS
- 2 - 3/8 THIN NYLON LOCKNUTS
- 2 - 3/8 FLATWASHERS (1" DIA.)
- 2 - 3/8 H.D. FLATWASHERS (1 3/8" DIA.)

- 1 - Assemble roof rack ends to roof rack sides as shown in FIGURES A & B.
- 2 - Install black plastic plugs into crossbar ends FIGURE C.
- 3 - Install crossbar to crossbar supports as shown in FIGURE C.
- 4 - Align roof rack, crossbar and tighten all fasteners.
- 5 - Roof rack flooring and vehicle mounting are shown in their respective installation instructions.

LIGHT MOUNTING BRACKET (each)
PART# 88136

CAUTION!!! LOADING and WEIGHT CAPACITY

- 1 - Use common sense when loading items on this roof rack.
- 2 - The roof rack will support more weight than the vehicle roof mounting will safely support.
- 3 - As a general rule up to 200 Lbs. evenly distributed is a safe load for this rack.

FIGURE A

When installing the side rails to the rack ends, the even sides must face outside.

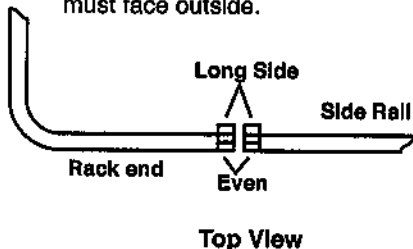


FIGURE B

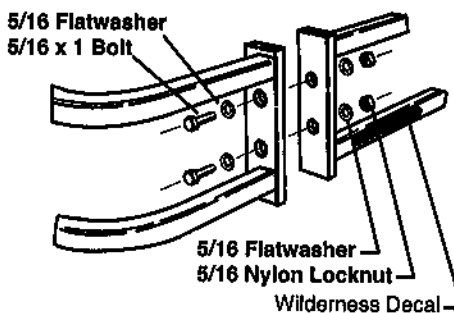
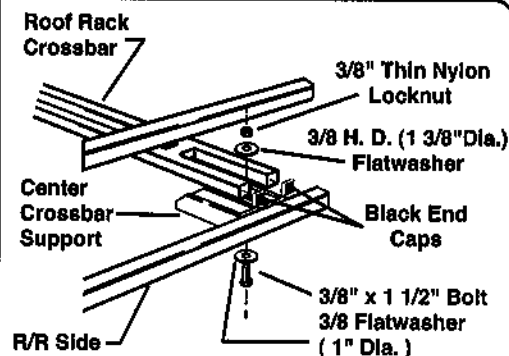


FIGURE C





Wilderness Roof Rack Mounting Kit

Part # 28038

Parts List

6-4" Clamp Assemblies(6-Base#1000, 6-Top Mount#1004)

2-3/8 x 2 Carriage Bolts

4-3/8 x 1 1/2 Carriage Bolts

2-3/8 Regular Nylon Locknuts

4-3/8 Thin Nylon Locknuts

6-3/8 H.D. Flatwashers(1 3/8"dia.)

6-5/16 Black Thread Covers

Installation Instructions

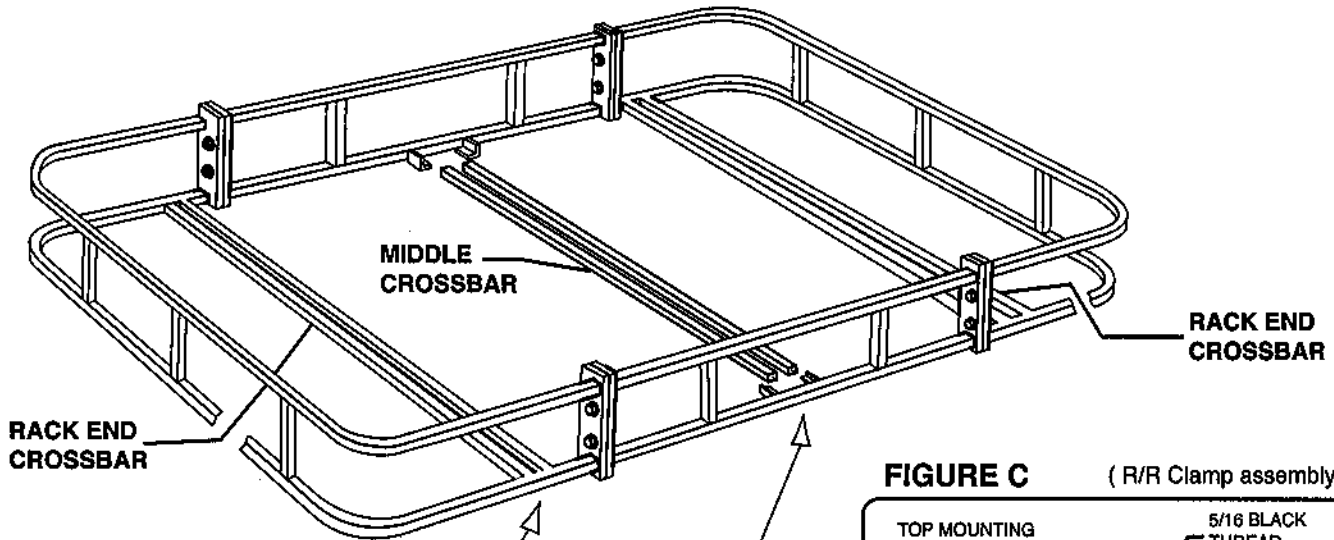
1. Remove rain gutter clips from base clamp(figure C).
2. Install black protective covers on base clamp(figure C).
3. Assemble base clamp#1000 to top mounting bracket, part#1004 with bolt kit #1000, as shown in figure C. Slightly tighten just so the two pieces will slide easily.
4. Install the two middle clamps to the roof rack, as shown in figure B. Leave loose for later adjustment. The 3/8 x 2 carriage bolt connects the crossbar and clamp to the roof rack, refer to figure B.
5. With some help, set the roof rack on the vehicle, with the two middle clamps resting in the rain gutter.
6. Align and center roof rack on the vehicle, slightly tighten clamps to roof rack to hold in place. Let the clamps slide to the lowest position and tighten the clamp assembly bolts.
7. Install rain gutter clips to the two clamps and slightly tighten to hold in place.
8. Install the four rack end clamps to the roof rack as shown in figure A. Install the rain gutter clips to clamp and slightly tighten to hold in place.
9. Tighten the clamp assembly bolts(5/16 x 1) last, because they are slotted and this takes all the tension off the roof rack against the rain gutter.
10. Re-check roof rack alignment and re-tighten all roof rack and mounting assembly hardware.
11. Do not over tighten rain gutter clips as they will bend.
12. Install black thread covers, as shown in figure C.
13. **CAUTION!!! LOADING AND WEIGHT CAPACITY**, use common sense when loading items on this roof rack. The roof rack will support more weight than the vehicle roof mounting will safely support. Use manufacturers weight limits as a guide for loading this roof rack.

WILDERNESS ROOF RACK MOUNTING KIT

PART# 28038



PAGE 2 OF 2



CLAMP MOUNTING TO RACK END CROSSBAR REFER TO FIGURE A.

CLAMP MOUNTING TO MIDDLE CROSSBAR REFER TO FIGURE B.

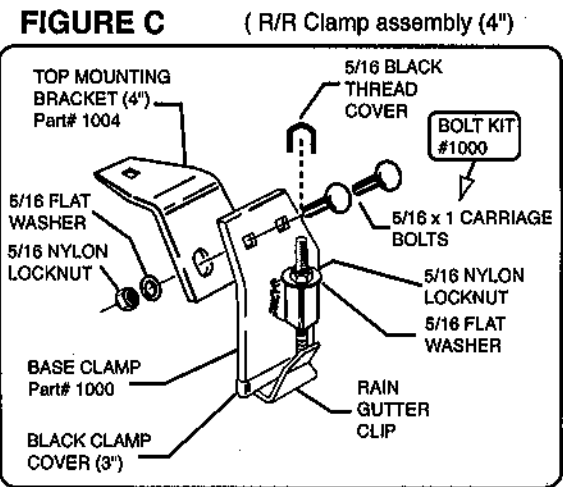
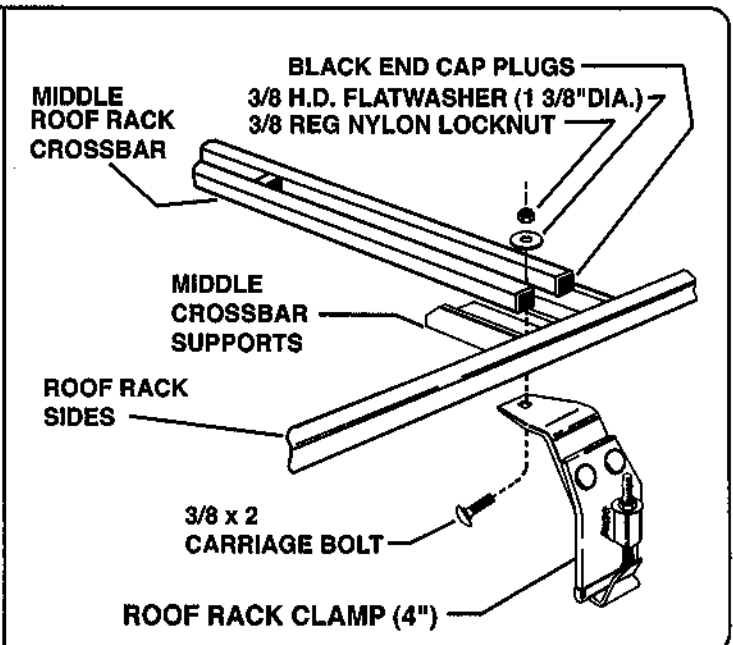
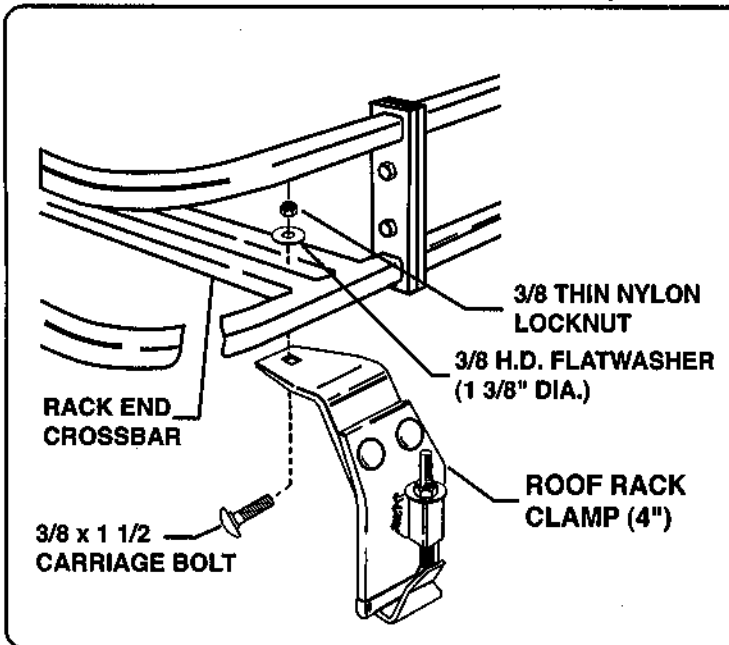


FIGURE A (Rack end crossbar mounting)

FIGURE B (Middle crossbar mounting)



WILDERNESS ROOF RACK FLOORING

General Assembly Instructions



PART # 11608

Page 1 of 1

FIGURE A

Install black plastic plugs into end of flooring. Use silicon around plug before installing for added protection in (wet) weather conditions.

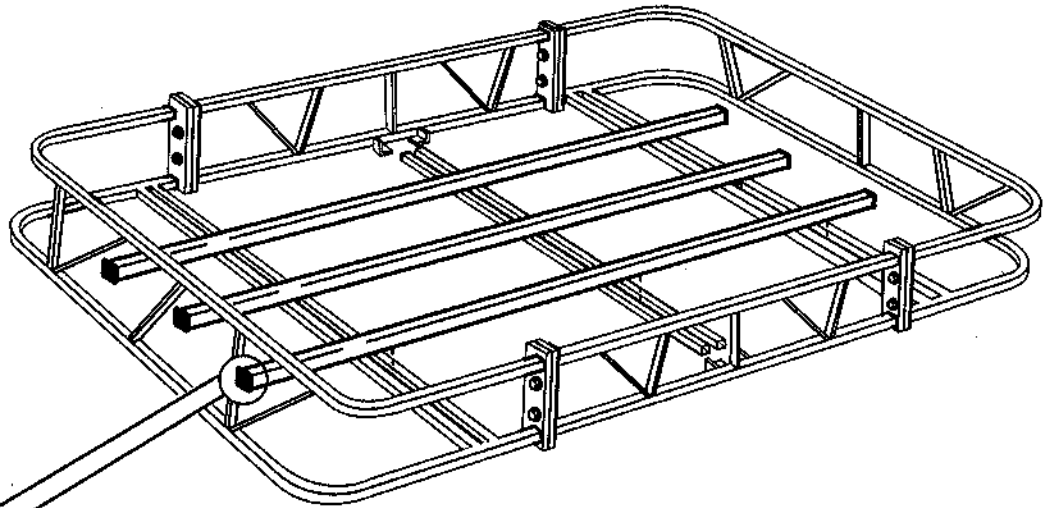
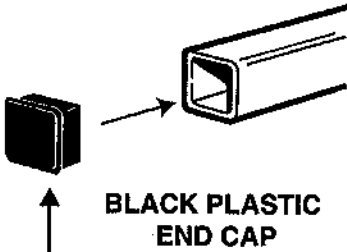
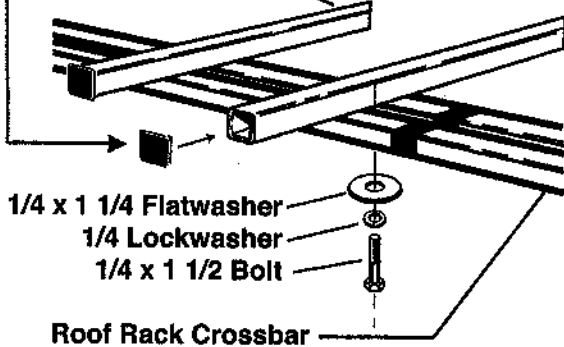


FIGURE B

Roof Rack
Flooring



THE FLOORS MOUNT ON TOP OF THE ROOF RACK CROSSBARS AND ARE COMPATIBLE WITH EITHER THE SPORT SERIES OR THE OFF ROAD SERIES ROOF RACKS.

PARTS LIST

- 8 - FLOOR PIECES (61 7/8")
- 2 - FLOORING BOLT KITS

Apply Loctite to threads of 1/4 x 1 1/2" bolts for off road use.

SEE YELLOW CAUTION SHEET BEFORE TIGHTENING BOLTS

INSTALLATION INSTRUCTIONS

- 1 - INSTALL BLACK PLASTIC END CAPS IN FLOOR ENDS (FIGURE A)
- 2 - INSTALL FLOORS TO ROOF RACK CROSSBARS (FIGURE B)
- 3 - START ALL BOLTS IN FLOORING (FIGURE B), LEAVE BOLTS LOOSE, EVENLY SPACE FLOORS ON ROOF RACK.
- 4 - ALIGN FLOORS AND THEN READ THE YELLOW CAUTION SHEET (ENCLOSED) BEFORE TIGHTENING 1/4 X 1 1/2" BOLTS.
- 5 - THE TWO OUTSIDE (OUTBOARD) FLOORS MAY HAVE TO BE RE-ADJUSTED TO CLEAR THE MOUNTING BOLTS AS THEY COME UP THROUGH THE CROSSBARS.
- 6 - WHEN INSTALLING THE SPARE TIRE CARRIER PART# 29880, THE TWO MIDDLE FLOORS MUST BE SPACED SO THE OUTSIDE MEASUREMENT IS 5 3/8".