

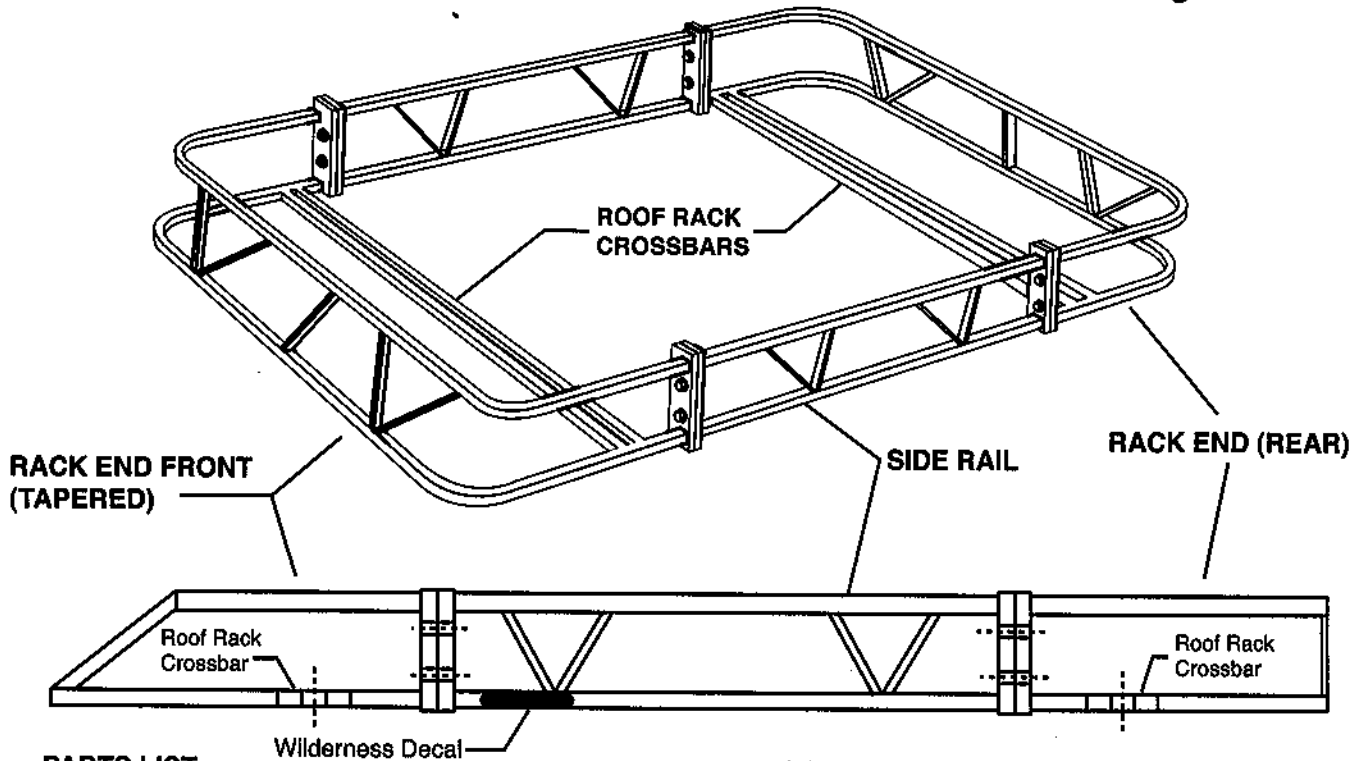
WILDERNESS SPORT RACK SERIES

General Assembly Instructions

PART# 42444 Size: 4' 2" x 4' 4" x 4"



Page 1 of 1



PARTS LIST

ROOF RACK ASSEMBLY

- 1- FRONT RACK END (TAPERED)
- 1 - REAR RACK END (EVEN)
- 1 - BOLT KIT # 2000
- 2 - SIDES (28" x 4")

- 1 - Assemble roof rack ends to roof rack sides as shown in figures A and B.
- 2 - Align and tighten all fasteners.
- 3 - Roof rack flooring and vehicle mounting are shown in their respective installation instructions.

LIGHT MOUNTING BRACKET (each)

PART # 88140 Front only
PART # 88134 Rear and side

CAUTION!!! LOADING and WEIGHT CAPACITY

- 1 - Use common sense when loading items on this roof rack.
- 2 - The roof rack will support more weight than the vehicle roof mounting will safely support.
- 3 - As a general rule up to 200 Lbs. evenly distributed is a safe load for this rack.

FIGURE A

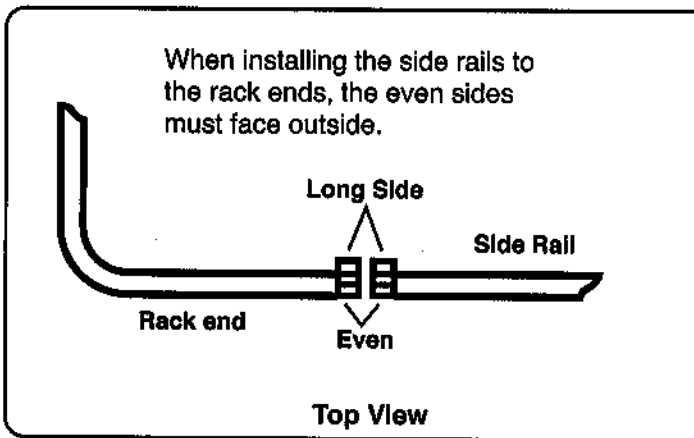
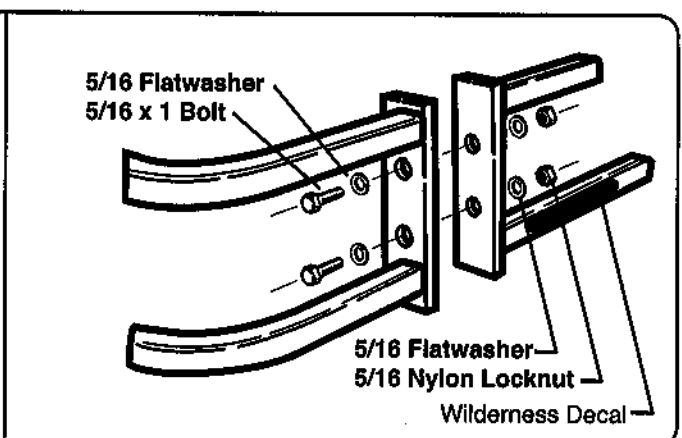


FIGURE B





Wilderness Roof Rack Mounting Kit

Part # 28011

Parts List

4-Top Brackets
4-Middle Brackets
4-Bottom Clip Brackets
4-3/8 x 1 1/2 Carriage Bolts
4-3/8 Thin Nylon Locknuts
4-3/8 H.D. Flatwashers(1 3/8" dia.)
16-6mm x 20mm Allen Head Bolts
16-6mm Nylon Locknuts
24-6mm Flatwashers(1/2" dia.)
8-1/4 Flatwashers(5/8" dia.)

Installation Instructions

1. Assemble roof rack and flooring as per instructions. Leave the two outboard floors loose for later adjustment.
2. Assemble mounting brackets as shown in figure B. Leave loose for easier mounting.
3. Install the two front mounting brackets to factory roof rack as shown on page 2. Measure and space evenly on each side. Slightly tighten to hold in place.
4. Measure back 32 5/8"(center to center) to position the rear mounting bracket. Refer to figure A. Slightly tighten to hold in place
5. With some help, set the assembled roof rack on the brackets. Center roof rack(side to side) on vehicle and secure roof rack to brackets as shown in figure B.
6. Align and tighten all fasteners. **NOTE!!!** After the Wilderness rack is installed, re-tighten roof rack brackets to factory roof rack.
7. **CAUTION!!! LOADING AND WEIGHT CAPACITY**, use common sense when loading items on this roof rack. The roof rack will support more weight than the vehicle roof mounting will safely support. Use manufacturers weight limits as a guide for loading this roof rack.

WILDERNESS ROOF RACK MOUNTING KIT

PART# 28011



PAGE 2 OF 2

FIGURE A

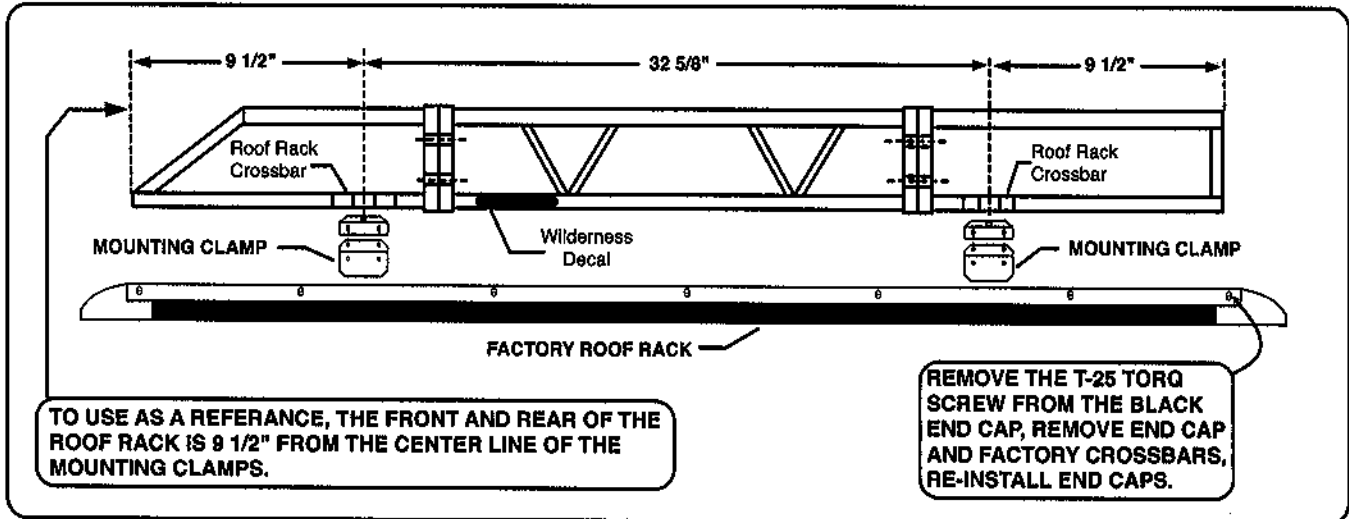
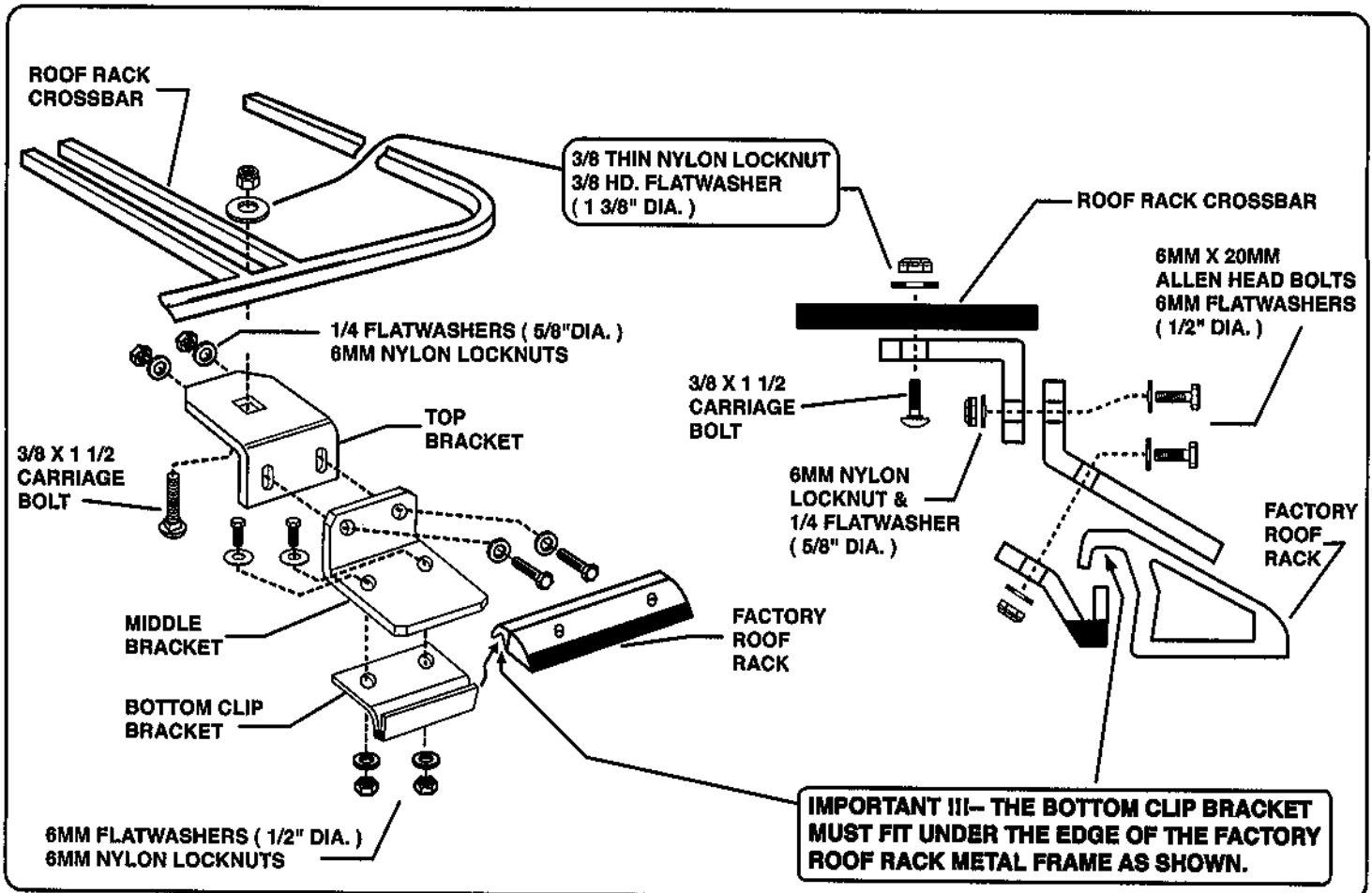


FIGURE B



WILDERNESS ROOF RACK FLOORING

General Assembly Instructions



PART # 11446

Page 1 of 1

FIGURE A

Install black plastic plugs into end of flooring. Use silicon around plug before installing for added protection in (wet) weather conditions.

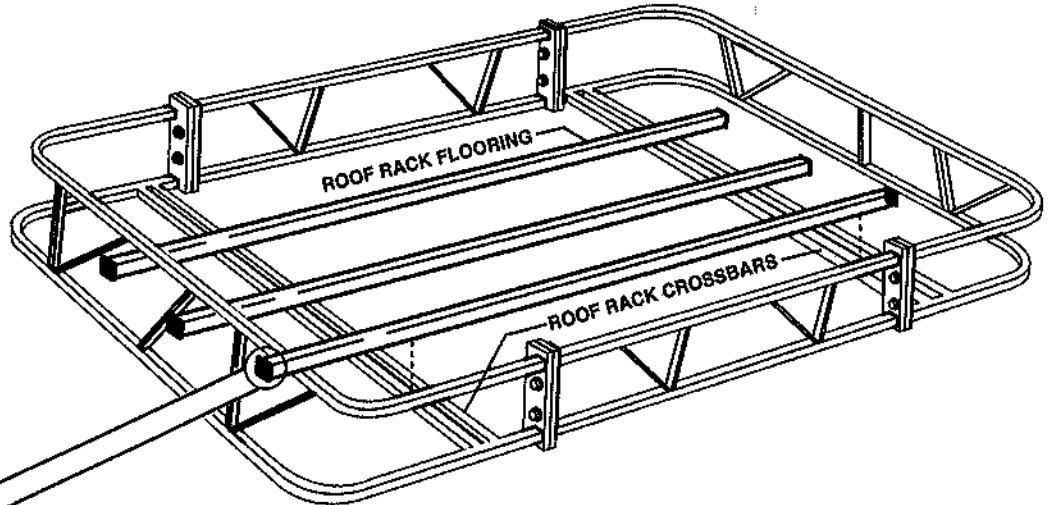
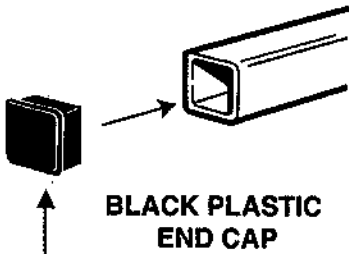
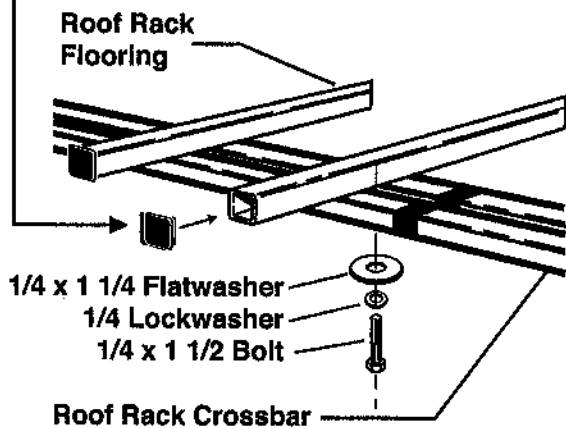


FIGURE B



THE FLOORS MOUNT ON TOP OF THE ROOF RACK CROSSBARS AND ARE COMPATIBLE WITH EITHER THE SPORT SERIES OR THE OFF ROAD SERIES ROOF RACKS.

PARTS LIST

6 - FLOOR PIECES (41 3/4")

1 - FLOORING BOLT KIT

CONTENTS

- 12 - 1/4 X 1 1/4" BOLTS
- 12 - 1/4 LOCKWASHERS
- 12 - 1/4 FLATWASHERS (1 1/4" DIA.)
- 12 - BLACK PLASTIC END CAPS

INSTALLATION INSTRUCTIONS

- 1 - INSTALL BLACK PLASTIC END CAPS IN FLOOR ENDS (FIGURE A)
- 2 - INSTALL FLOORS TO ROOF RACK CROSSBARS (FIGURE B)
- 3 - START ALL BOLTS IN FLOORING (FIGURE B), LEAVE BOLTS LOOSE, EVENLY SPACE FLOORS ON ROOF RACK.
- 4 - ALIGN FLOORS AND THEN READ THE YELLOW CAUTION SHEET (ENCLOSED) BEFORE TIGHTENING 1/4 X 1 1/2" BOLTS.
- 5 - THE TWO OUTSIDE (OUTBOARD) FLOORS MAY HAVE TO BE RE-ADJUSTED TO CLEAR THE MOUNTING BOLTS AS THEY COME UP THROUGH THE CROSSBARS.
- 6 - WHEN INSTALLING THE SPARE TIRE CARRIER PART# 29880) THE TWO MIDDLE FLOORS MUST BE SPACED SO THE OUTSIDE MEASUREMENT IS 5 3/8".

Apply Loctite to threads of 1/4 x 1 1/2" bolts for off road use.

SEE YELLOW CAUTION SHEET BEFORE TIGHTENING BOLTS