

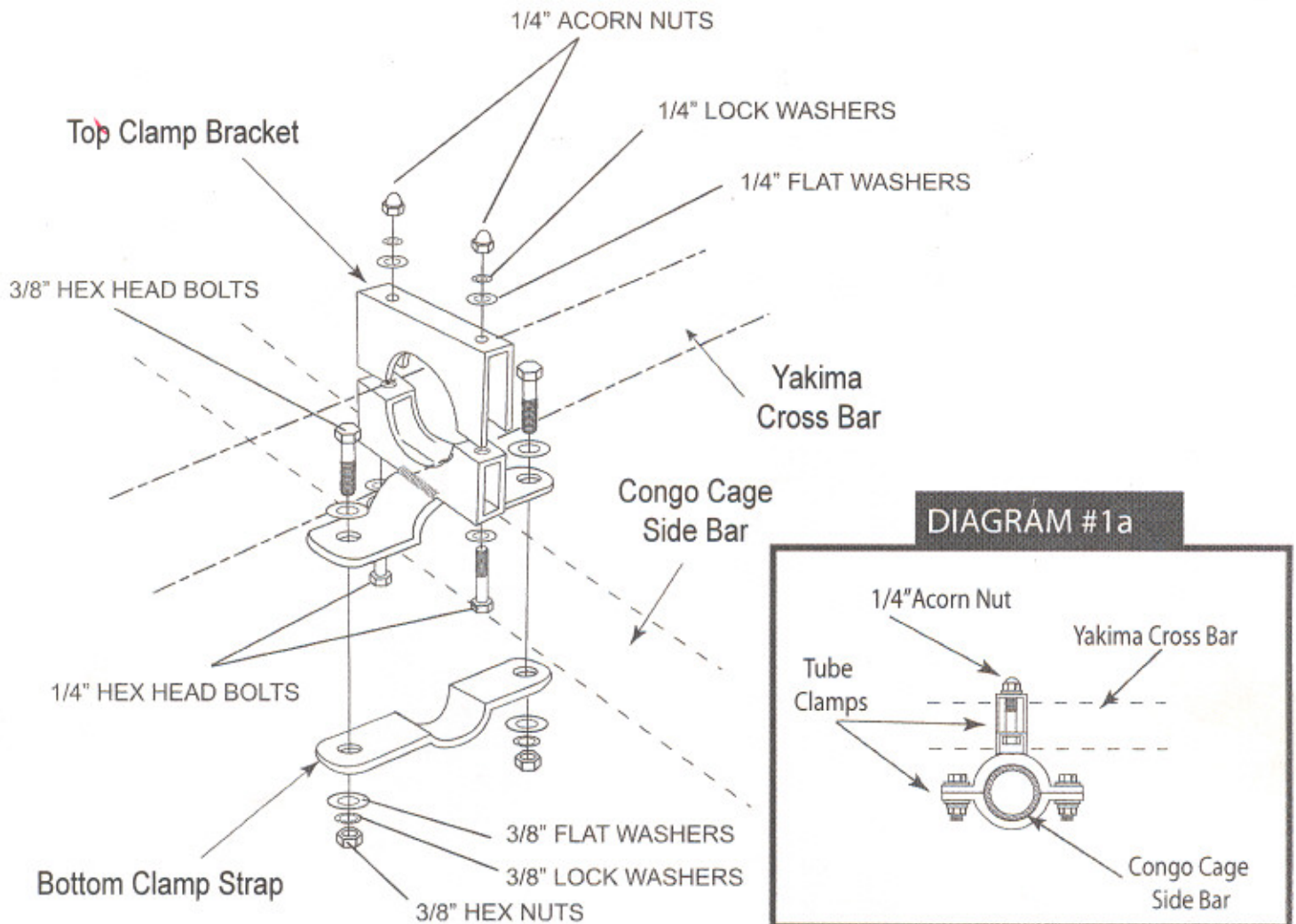


For TECHNICAL SUPPORT Call:  
1-800-343-7486

Monday-Friday 8:00 A.M. to 4:30 P.M. (PACIFIC)

## " MOUNTING YAKIMA BARS on KM CONGO CAGE"

HARDWARE KIT # 60131



#1= Position the tube clamp around existing Congo Cage tubes at desired location and insert bolts, washers and nuts through lower clamp and top mount bracket. Leave bolts loose for final adjustments of rack.

#2= Position Yakima bars and bolt on clamps with equal distance from all end caps to mounting plates. After final positioning of rack, tighten bolts. THAT'S IT! Your installation is complete.

**NOTE:** If you experience any wind noise, it may be necessary to relocate your existing Yakima cross bars forward or backward.