

TACTIK® Front Bumper

Installation Manual for 2007 - Current Wrangler (JK)
#12052.010X



⚠ WARNING ⚠

TO REDUCE RISK OF SERIOUS INJURY OR PROPERTY DAMAGE: READ ALL SAFETY MESSAGES AND UNDERSTAND ALL INSTRUCTIONS AND PROCEDURE *NOTICES* BEFORE ATTEMPTING TO INSTALL OR USE THIS PRODUCT.

⚠ WARNING ⚠

MOUNT WINCH USING ONLY APPROVED MOUNTING PLATE. BUMPER/WINCH PLATE NOT INTENDED FOR WINCHES IN EXCESS OF 9500LBS. LOAD LIMITS FOR YOUR BUMPER/WINCH MAY BE LESS DEPENDING ON CONDITION OF YOUR VEHICLE AND ATTACHMENTS. FOLLOW ALL INSTRUCTIONS, LIMITATIONS & WARNINGS WITH YOUR VEHICLE, THIS PRODUCT, YOUR WINCH AND SAFE WINCHING PRACTICES SUPPLEMENT.

⚠ CAUTION ⚠

RISK OF EYE INJURY! SAFETY GLASSES MUST BE WORN AT ALL TIMES WHILE INSTALLING OR MAINTAINING THIS PRODUCT. TORQUE AND RECHECK FASTENERS AFTER 250 MILES AND FREQUENTLY THEREAFTER. INSPECT BUMPER, WINCH AND MOUNT BEFORE USE. DO NOT USE IF DAMAGED.

NOTICE

CHECK STATE AND LOCAL HIGHWAY SAFETY LAWS REGARDING PERMITTED BUMPER TYPES AND HEIGHTS.

TACTIK®

A Few Words About Product Safety:

Your TACTIK® product is intended to enhance the utility and enjoyment of your off road capable vehicle. Before installation, please review the following safety information and installation recommendations.

Throughout these instructions important safety information is generally preceded by one of three signal words indicating the relative risk of injury, property damage or adverse consequence. **The signal words mean:**

⚠ WARNING ⚠

a hazardous situation which, if not avoided, could result in death or serious injury. You **CAN** be **KILLED** or **SERIOUSLY HURT** if you don't follow instructions.

⚠ CAUTION ⚠

a hazardous situation which, if not avoided, could result in minor or moderate injury. You **CAN** be moderately **HURT** and also may suffer property damage if you don't follow instructions.

NOTICE

Careful attention is required to this instruction or operation but does generally not relate to personal injury. Damage to your TACTIK product or other property may result if you don't follow instructions.

Before You Begin Installation:

Congratulations on your purchase of TACTIK® Front Bumper for your Jeep® Wrangler. This custom fit front Bumper has been designed for long life and a great look. Though constructed of only the finest materials, this bumper must be maintained to keep its look while performing under the toughest conditions. Please see page 15 for important care and maintenance tips to keep

your bumper looking like new. When unpacking, check to make sure all parts are included and not damaged due to shipping. If any part is missing or broken, please call Customer Service at 800-745-6037 as soon as possible.

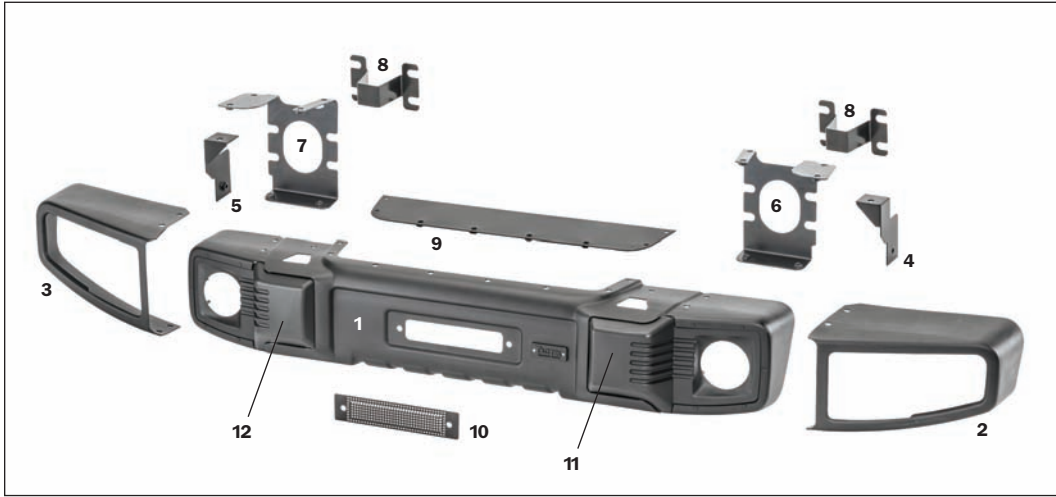
Thank you again for your purchase and let's start the installation process.

NOTICE

As you unpack your front bumper, be careful not to scratch the finish with a knife or razor. We suggest placing the unpacked bumper back into the original box so it does not get scratched before the installation begins. This bumper has a cut-out for a vehicle recovery winch. A separate Winch Mounting Plate is required for winch installation.

TACTIK®

TACTIK Front Bumper Parts List:



BUMPER PARTS LIST:

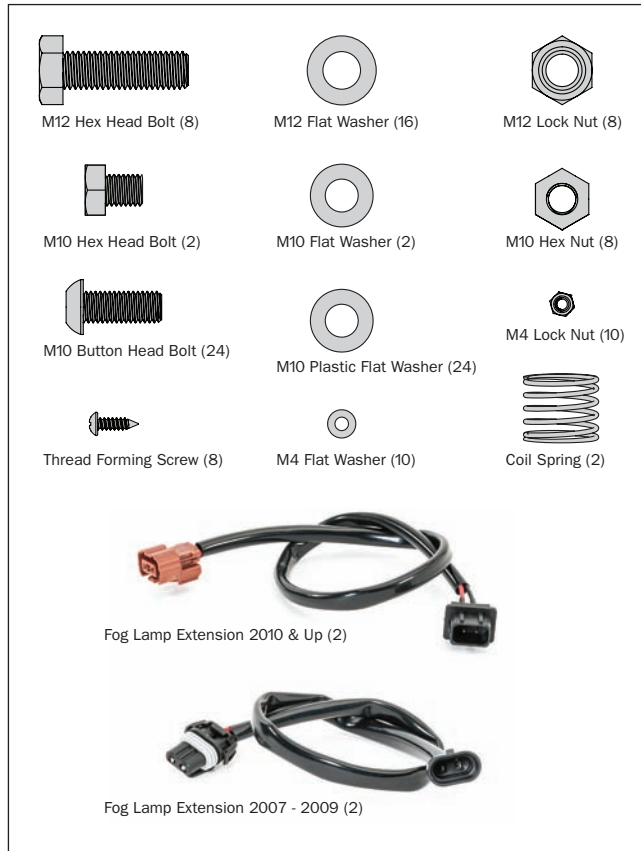
1. Bumper Center Section - QTY 1
2. Bumper End, LH - QTY 1
3. Bumper End, RH - QTY 1
4. Support Bracket, LH - QTY 1
5. Support Bracket, RH - QTY 1
6. Bumper Mount Bracket, LH - QTY 1
7. Bumper Mount Bracket, RH - QTY 1
8. Stanchion - QTY 2
9. Winch Delete Plate - QTY 1
10. Fairlead Cover - QTY 1
11. Plastic Cover, LH - QTY 1
12. Plastic Cover, RH - QTY 1

BUMPER HARDWARE LIST:

- (A) M12 Hex Head Bolt - QTY 8
- (B) M12 Flat Washer - QTY 16
- (C) M12 Lock Nut - QTY 8
- (D) M10 Hex Head Bolt - QTY 2
- (E) M10 Flat Washer - QTY 2
- (F) M10 Hex Nut - QTY 8
- (G) M10 Button Head Bolt - QTY 24
- (H) M10 Plastic Flat Washer - QTY 24
- (I) M4 Lock Nut - QTY 10
- (J) Thread Forming Screw - QTY 8
- (K) M4 Flat Washer - QTY 10

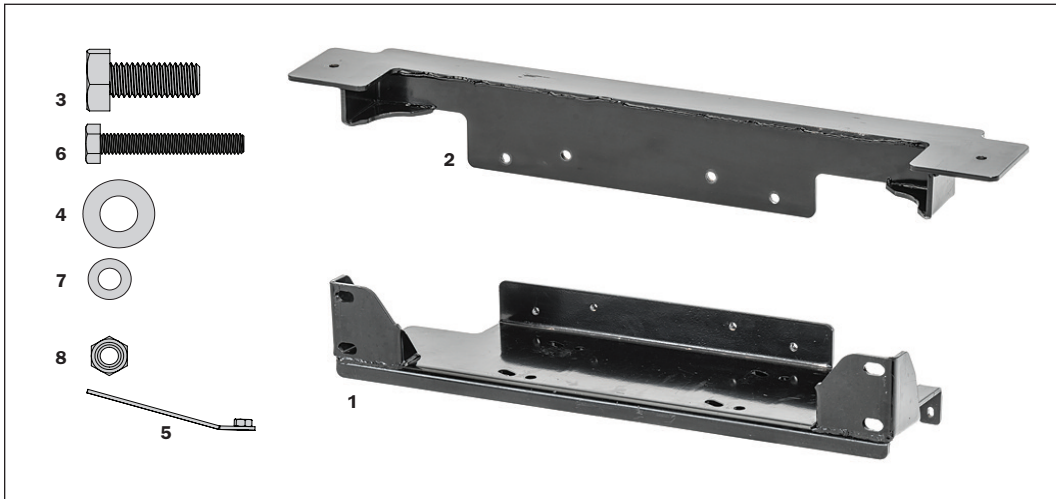
Year Dependant Fog Lamp Extensions

- (L) For JK 2010 & UP - QTY 2
- (M) For JK 2007 - 2009 - QTY 2



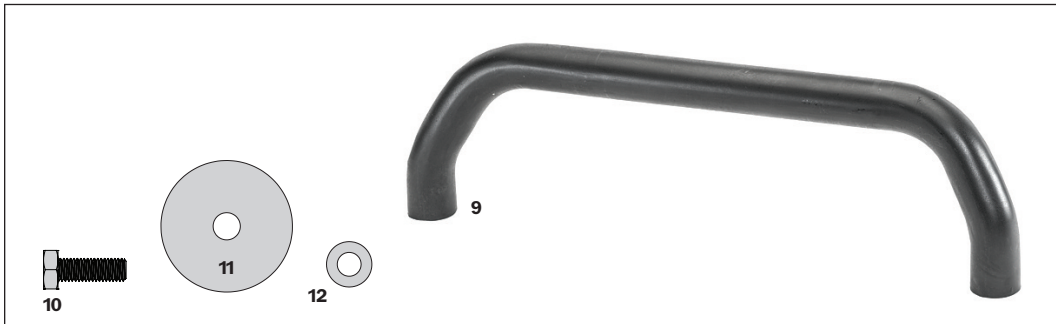
TACTIK®

TACTIK Winch Plate and Over Rider Hoop Parts List (if supplied)



WINCH PLATE PARTS LIST:

1. Bottom Plate - QTY 1
2. Top Plate - QTY 1
3. M10 Hex Bolt - QTY 6
4. M10 Flat Washer - QTY 6
5. M10 Nutplate - QTY 2
6. M6 Hex Bolt - QTY 2
7. M6 Flat Washer - QTY 2
8. M6 Lock Nut - QTY 2



OVER RIDER PARTS LIST:

9. Hoop - QTY 1
10. M10 Hex Bolt - QTY 2
11. Gasket - QTY 2
12. Flat Washer - QTY 2

REQUIRED TOOLS:

- Safety Glasses
- Phillips Head Screwdriver
- Flat Head Screwdriver
- 6mm Allen Wrench
- 8mm Socket
- 10mm Socket
- 15mm Socket
- 17mm Socket

REQUIRED TOOLS continued:

- 18mm Socket
- 19mm Socket
- 10mm Wrench
- 19mm Wrench
- Grinder with Cutoff Wheel

CAUTION

**ALWAYS WEAR SAFETY GLASSES DURING INSTALLATION.
FOLLOW ALL SAFETY PROCEDURES.**

TACTIK®

TACTIK Installation Preparation:

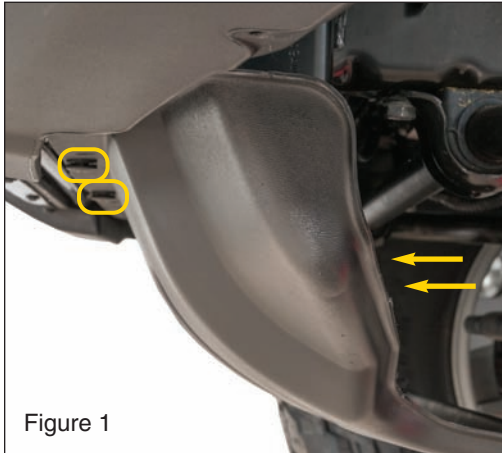


Figure 1

Caution: Put on safety glasses. Locate and remove the 6 plastic fasteners holding on the front lower air dam and remove. Earlier models you will need a Phillips head screwdriver. Later models can just be pulled out by hand. (FIG1)

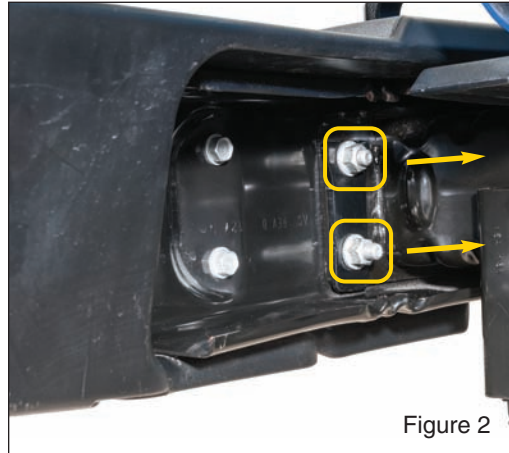


Figure 2

Locate and remove the 8 nuts holding on the front bumper (on both sides) using an 18mm socket. Save all hardware. (see FIG2)



Figure 3

Carefully pull bumper away from frame to expose the fog light connections and wiring. Unplug fog lamps and remove wiring from bumper as necessary, remove bumper. (see FIG3)

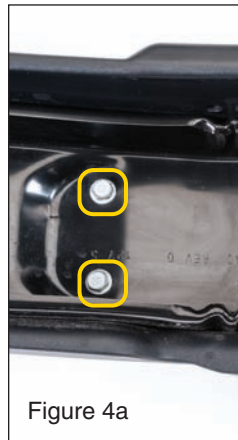


Figure 4a



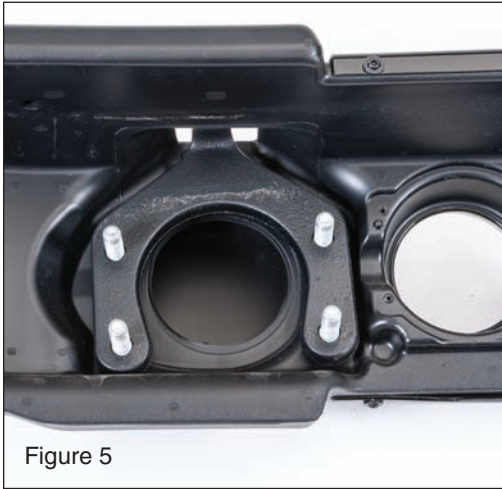
Figure 4b

Disassemble front bumper by removing 2 bolts per side with a 15mm socket. (see FIG4a)

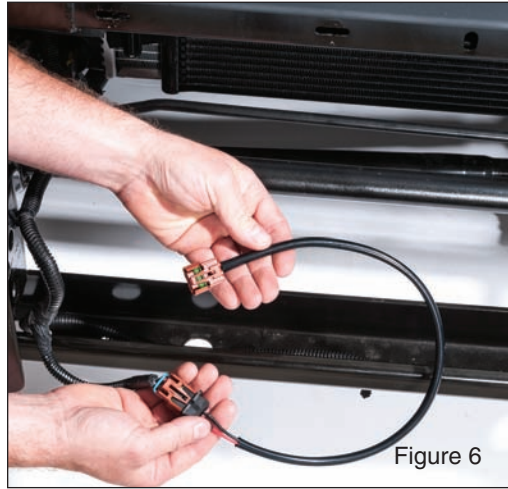
Remove the fog lamps using a Phillips head screwdriver, save lamps. (see FIG4b)

TACTIK®

TACTIK Front Installation:

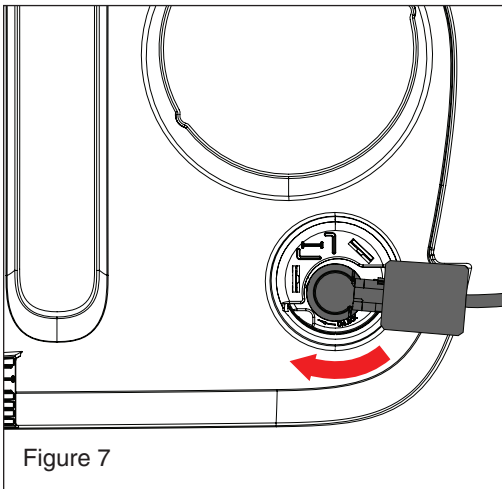


Remove & save factory tow hooks. (FIG5)

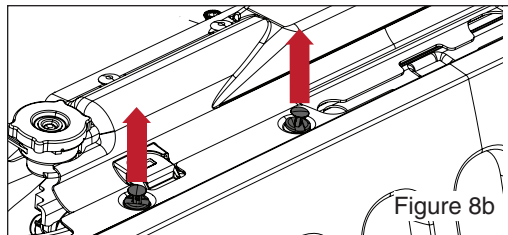
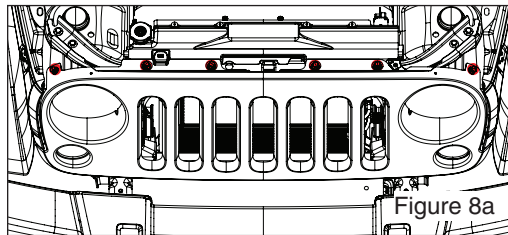


Install supplied plug and play fog lamp extensions as shown. Route towards outside of frame rails. (see FIG6)

NOTICE IF NOT INSTALLING WINCH PLATE, SKIP TO FIGURE 19 (PAGE 9)

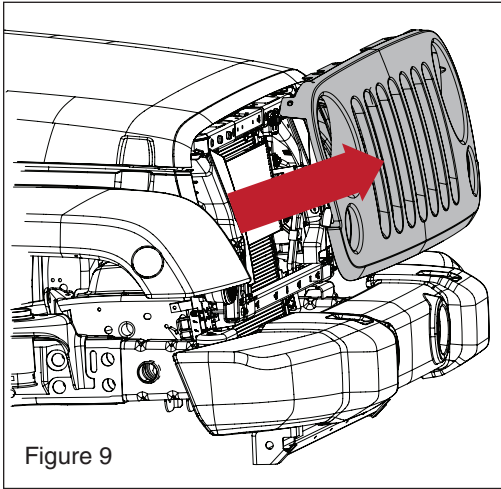


Disconnect turn signal from behind the grille. Rotate bulb assembly and pull out of light housing. (see FIG7)
Raise hood and remove the 6 plastic fasteners on top of grille. Earlier models

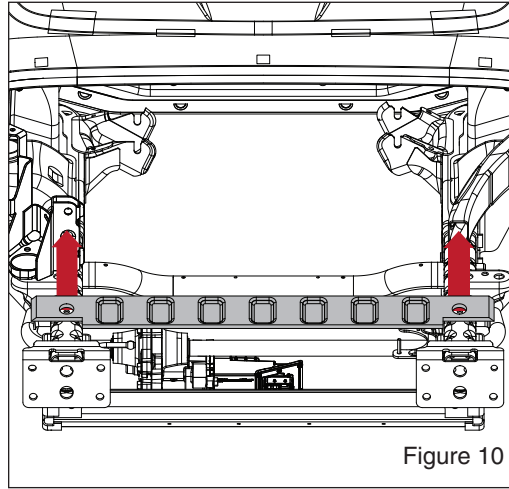


will use a Phillips head screwdriver and later models will use a flat head. Remove center pin and pull up on the entire plastic retainer assembly. Save fasteners. (see FIG 8A & 8B)

TACTIK Front Installation:



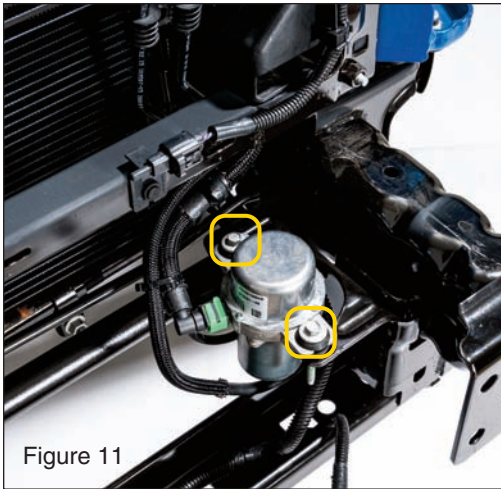
Pull bottom of grille away from vehicle to disengage metal clips on bottom rear of grille. Remove grille (see FIG9)



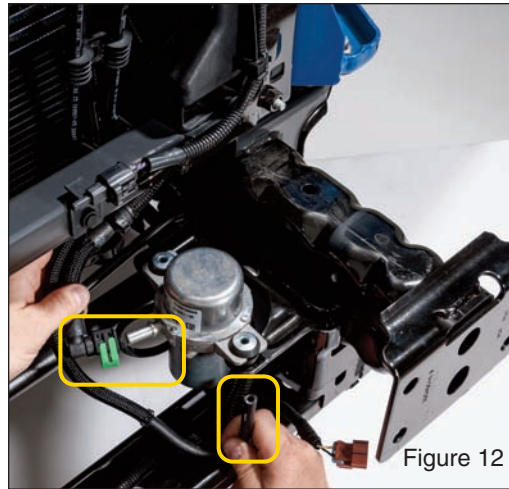
Remove the factory closeout panel fasteners using a Phillips head screwdriver. Remove panel from vehicle. (see FIG10)

NOTICE

FOR '07-'11 MODELS WITH WINCH PLATE SKIP AHEAD TO FIGURE 16 (PG 8)



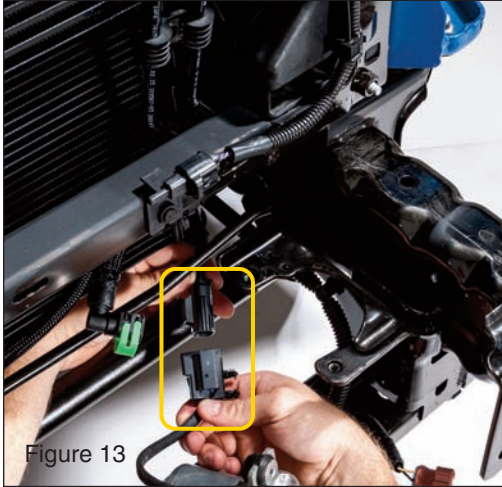
For 2012 and newer models locate and remove the vacuum pump hardware using a 10mm socket. (see FIG11)



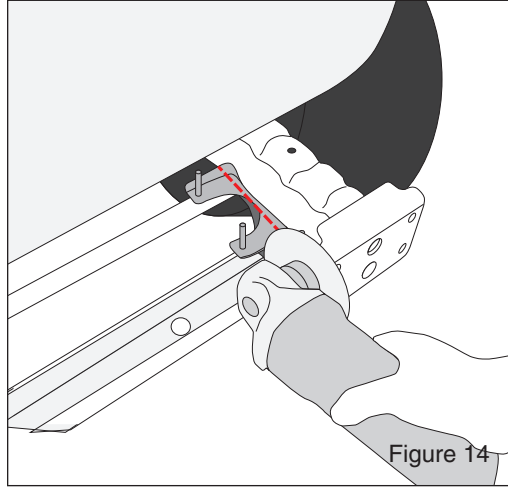
Gently pull down on green tab and slide hose off canister. Pull down on small rubber hose to disconnect as well. (see FIG12)

TACTIK®

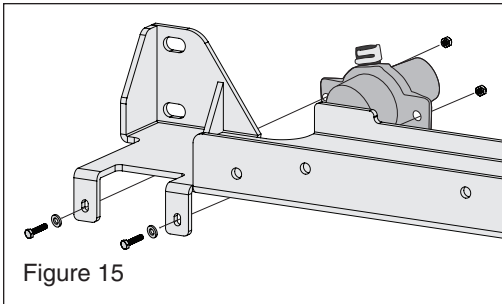
TACTIK Front Installation:



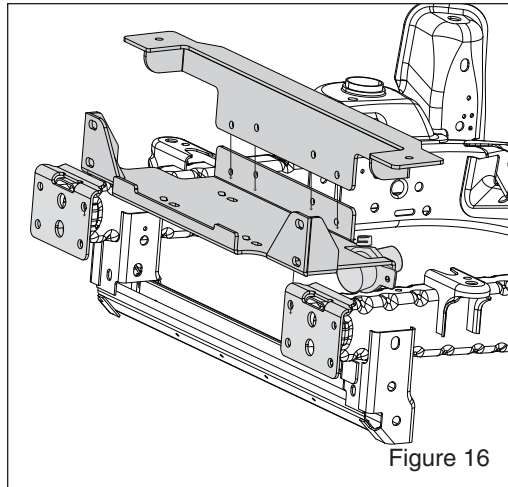
Remove electrical connector from frame rail and disconnect. Save canister for relocation later. (see FIG13)



Using a cutoff wheel, remove both mounting tab brackets from frame as shown. Remove as much material as possible. Coat exposed metal with rust-inhibiting black paint. (FIG14)



Disconnect hose retainer clips from vacuum pump and remove zip ties holding air lines to allow slack in the lines for pump relocation. Attach vacuum pump to winch plate using the included M6 bolts, flat washers and lock nuts using a 10mm socket and wrench. (see FIG15)



Install the **winch plate** by first placing the bottom plate between frame horns. Position top plate onto frame horns with rear flange located forward of bottom plate rear flange. (see FIG16)

TACTIK®

TACTIK Front Installation:

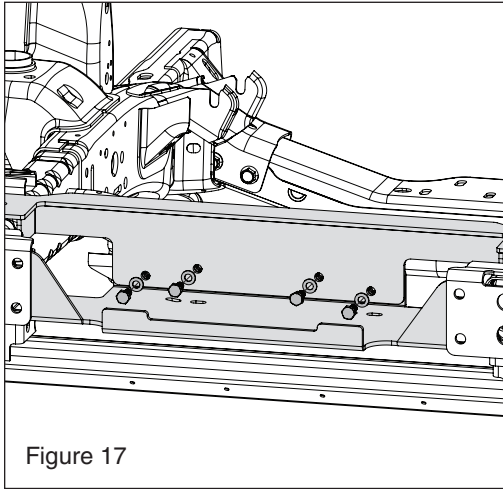


Figure 17

Attach top and bottom of winch plate at rear flange using the included M10 hex bolts and flat washers using a 17mm socket. (see FIG17)

Next, attach **winch plate** to top of each frame horn using the included M10 hex

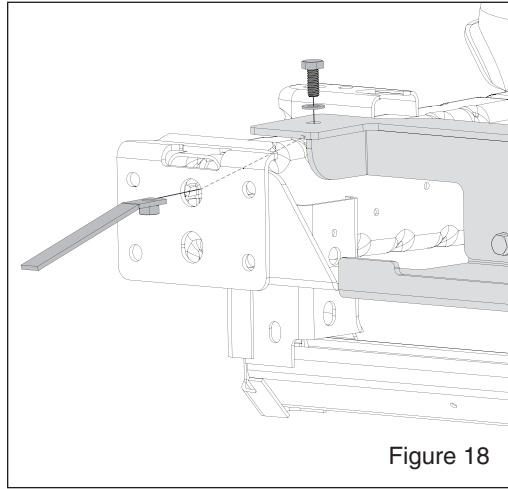


Figure 18

bolts, washers and nut plates using a 17mm socket. (see FIG18)

For all 2012 and newer models: reconnect vacuum pump lines and electrical connection. Reinstall grill assembly. Reconnect turn signals. Install all plastic fasteners at the top.

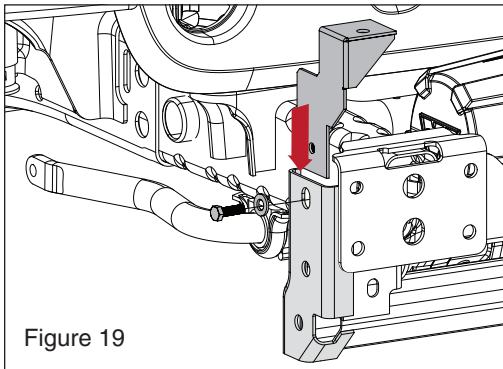


Figure 19

Insert support brackets into opening in frame and secure with included M10 hex bolts and flat washers using a 17mm socket. (see FIG19)

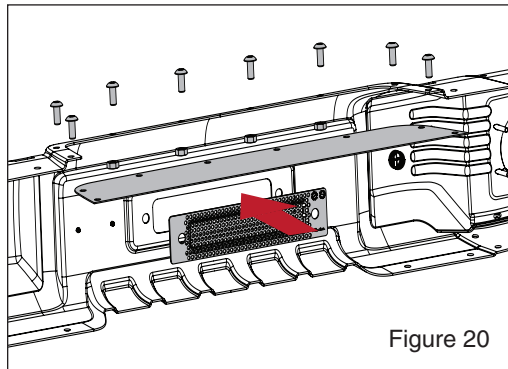


Figure 20

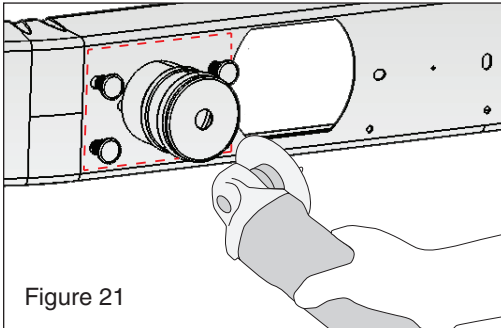
If **not** installing a winch at this time, attach the fairlead cover and winch delete plate using the included M10 button head cap screws, plastic washers and nuts using a 6mm allen wrench and 17mm socket. (see FIG20)

TACTIK®

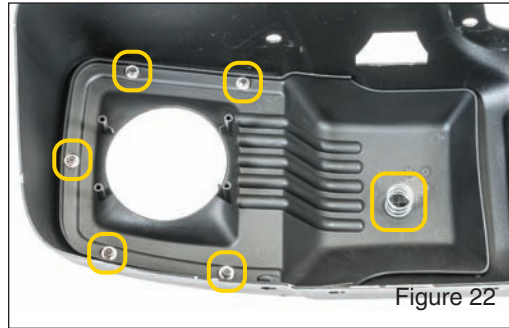
TACTIK Front Installation: Crush Can Install

NOTICE

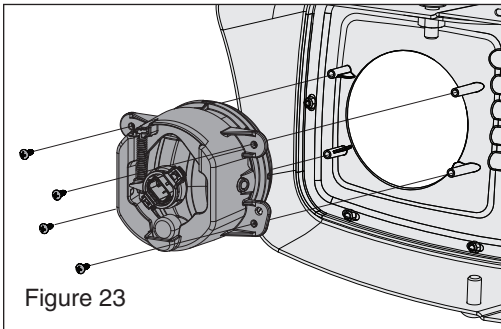
TO SKIP OPTIONAL CRUSH CAN INSTALL AND USE SUPPLIED STANCHIONS, SKIP AHEAD TO FIGURE 26, PAGE 11.



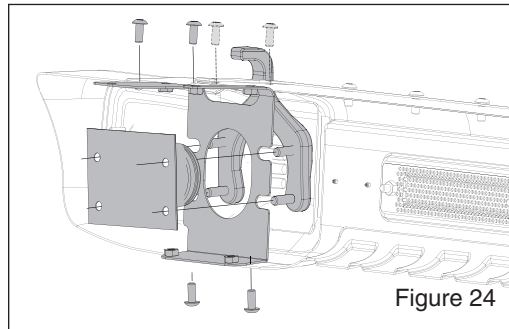
Remove crush cans including the 4 mounting holes from the factory bumper using a cutoff wheel. (see FIG21)



Install plastic covers to bumper with the included M4 Flat Washers and Lock Nuts using a 8mm Socket. Press coil springs onto molded cross feature of plastic covers. (see FIG22)



Install both fog lamp housings onto the bosses in plastic covers using the included Phillips head screws. Do not over tighten. (see FIG23)



Insert factory tow hooks into openings in bumper center section. If not using tow hooks replace with included M12 hex bolts, washers and lock nuts using a 19mm socket and wrench. Place crush can and bumper mount bracket in place in front of tow hooks or M12 hardware. (see FIG24)

TACTIK®

TACTIK Front Installation:

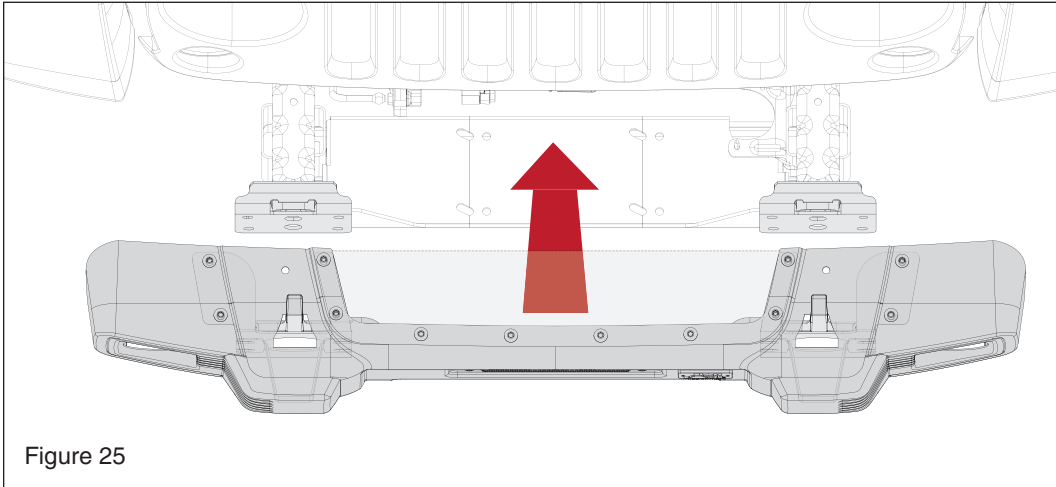


Figure 25

With Crush Cans: Position bumper assembly over frame rails, aligning tow hooks with mounting holes on frame horns. Secure using the original plates and nuts. If not using tow hooks, secure with M12 hardware loosely at this time. Align bumper with holes in bumper mount brackets and secure with the in-

cluded M10 button head bolts, plastic washers and hex nuts using 6mm allen wrench and 17mm socket. (see FIG25)

NOTE: If installing a winch, tighten tow hook or M12 hardware now.

NOTE: Skip to figure 30.

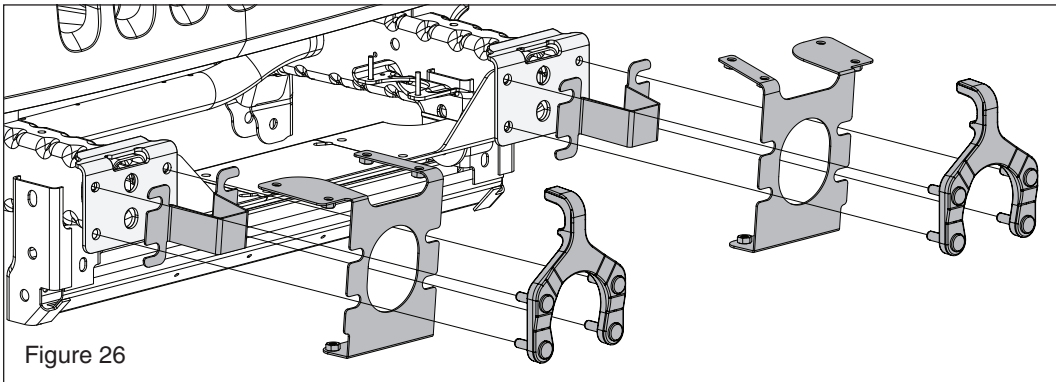


Figure 26

Without Crush Cans: Place stanchion, bumper mount bracket and factory tow hook on frame horns and secure with original plates and nuts. If not using

tow hooks replace with M12 hex bolts, washers and lock nuts. Secure loosely at this time. (see FIG26)

TACTIK®

TACTIK Front Installation:

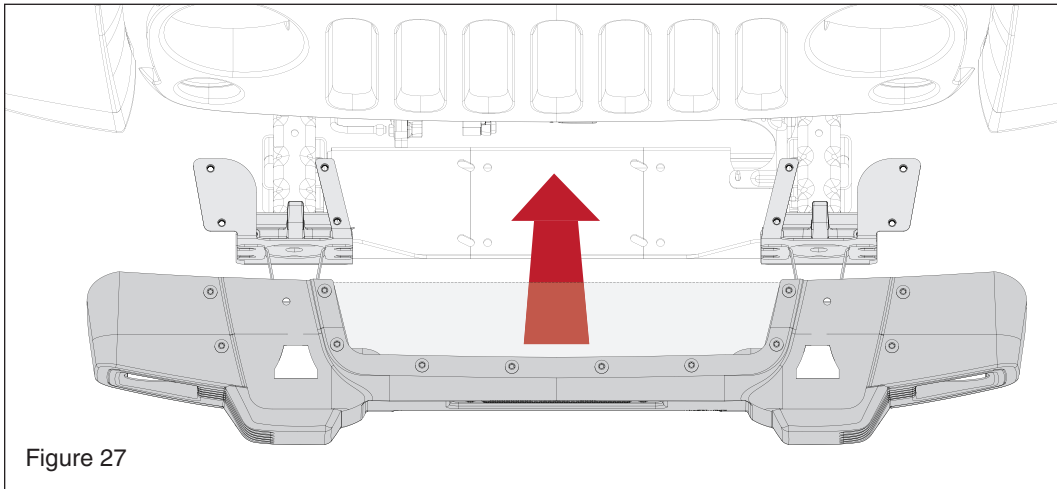


Figure 27

Position bumper assembly to accept factory tow hooks and lower into place on frame rails. Align with holes in bumper mount brackets and secure with the included M10 button head bolts, plastic

washers and hex nuts using 6mm allen wrench and 17mm socket. (see FIG27)

NOTE: If installing a winch, tighten tow hook or M12 hardware now.

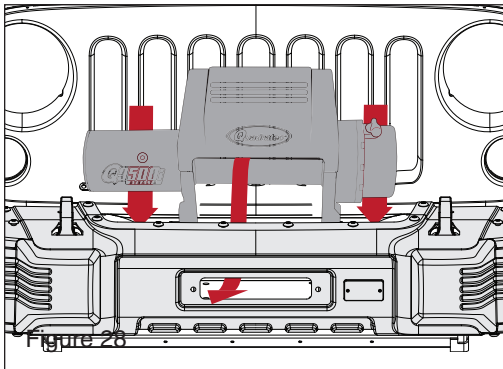


Figure 28

Install winch and fairlead per winch instructions at this time. (see FIG 28)



Figure 29

Connect the fog lamp extensions in line between the factory harness and the fog lamps. (see FIG29)

TACTIK®

TACTIK Front Installation:

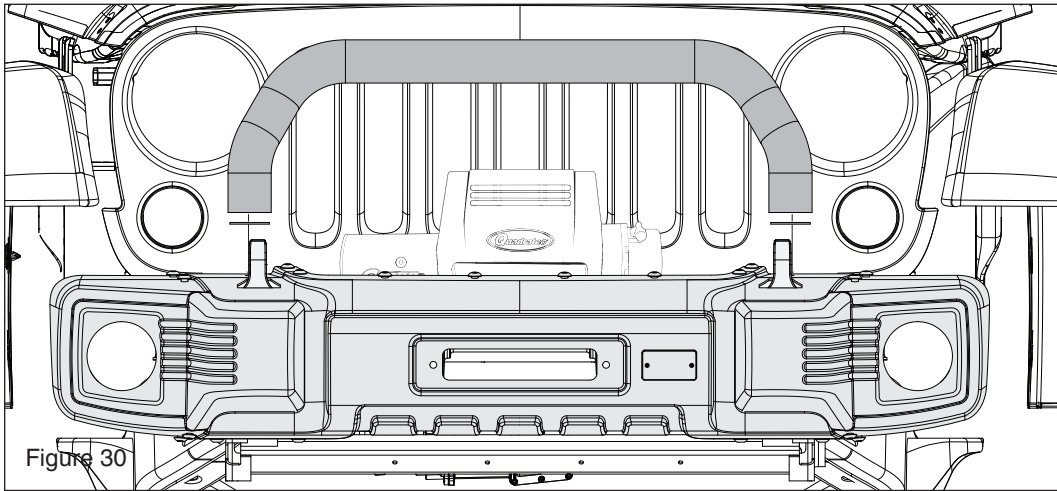


Figure 30

With Over Rider Hoop: If installing over rider bar align the included gaskets with over rider mounting holes and secure

from the underside using the included M10 hex bolts and washers using a 17mm wrench. (see FIG 30)

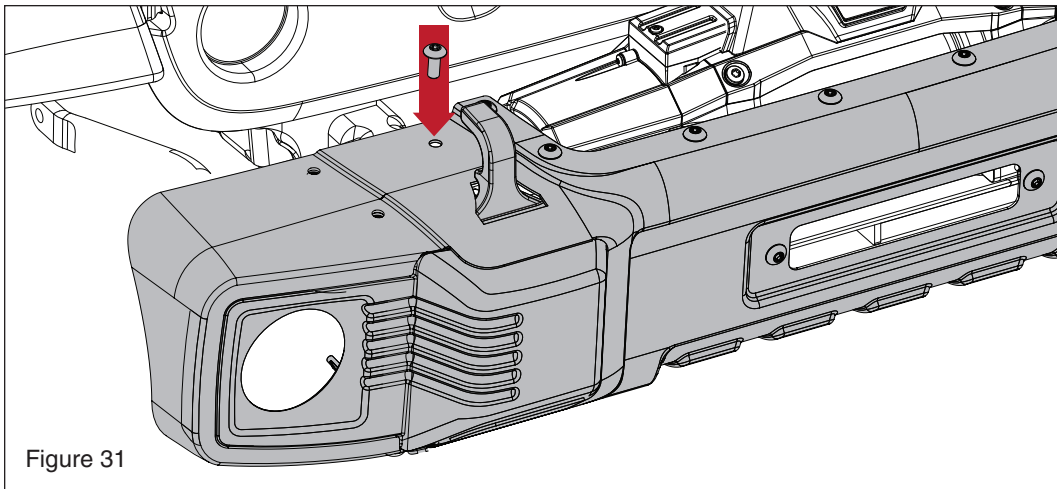


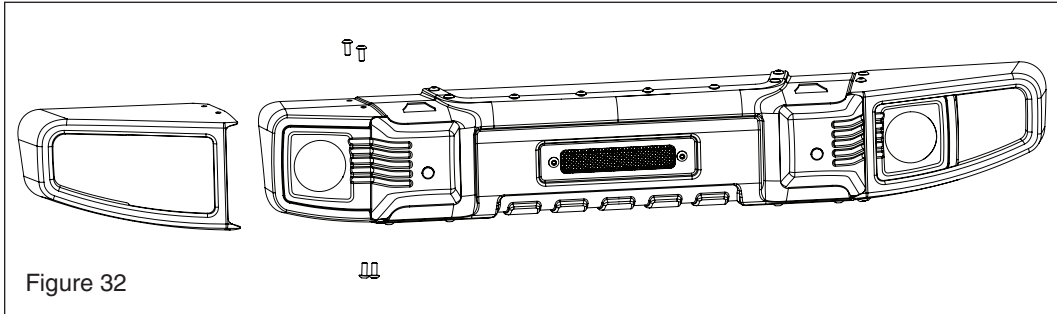
Figure 31

Without Over Rider Hoop: If not installing over rider bar attach support bracket to bumper using the included

M10 button head bolts, plastic washers and hex nuts using 6mm allen wrench and 17mm socket. (see FIG31)

TACTIK®

TACTIK Front Installation: End Caps



Install bumper ends, aligning mounting points of bumper ends, center section and mounting bracket using the included M10 button head bolts and

plastic washers using 6mm allen wrench. (see FIG32)

Finally, adjust and tighten all bolts.



TACTIK®

TACTIK Bumper Care and Maintenance:

Your Bumper has been designed and manufactured to provide years of use. However, like any product, general maintenance is required to keep it looking new.

Since the bumper is located on the front of the vehicle, it is subject to potential rock chips and other debris potentially causing portions of the paint to chip off. We recommend using a textured or gloss black spray paint sprayed on a piece of cardboard and Q-Tip to gently fill in these chips. This will prevent any rust from forming.

On all bumpers there is a chance of some surface rust showing over time due to metal particles being embedded in the paint. This surface rust is easily removed by a non-abrasive cleaner/polish and a soft bristle brush (not a metal brush!).

For bumpers with a textured finish, wash only with soapy water and avoid other waxes and polishes.

Also Available: The TACTIK® Rear



TACTIK®

TACTIK® Exclusive Five Year Limited Warranty

Your TACTIK® branded accessories are covered by the following **Limited Warranty** provided exclusively by the TACTIK® Division of Quadratec, Inc. 1028 Saunders Lane, West Chester PA 19380.

This **Limited Warranty** is the only warranty made in connection with your purchase. TACTIK® neither assumes nor authorizes any vendor, retailer or other person or entity to assume for it any other obligation or liability in connection with this product or **Limited Warranty**.

What is Covered: Subject to the terms, exclusions and limitations herein and with respect only to TACTIK® branded accessories first sold in the United States, TACTIK® warrants to the initial retail purchaser only that your TACTIK® accessory shall be free of defects in material and workmanship: **for a period of five (5) years from date of retail purchase.**

This **Limited Warranty** is not assignable and shall terminate upon sale of the vehicle upon which the TACTIK® accessory is installed or other transfer third persons.

All other warranties are hereby disclaimed, except to the extent prohibited by applicable law in which case any implied warranty of merchantability or fitness for a particular purpose on this product is limited to 3 year from date of initial retail sale. TACTIK® reserves the rights to: (a.) require invoice or other proof your accessory is within the terms of this **Limited Warranty** as a condition of warranty service and, (b.) make future revisions to this product and **Limited Warranty** without prior notice or obligation to upgrade your product.

What is Not Covered:
Your TACTIK® **Limited Warranty** does not cover products or parts TACTIK® determines to have been damaged by or subjected to: (a.) installation damage, alteration, modification, combination with other parts, failure to

maintain or improper repair or service, (b.) normal wear & tear, cosmetic damage or damage from moisture or water immersion, (c.) Acts of God, accidents, misuse, negligence, inadequate mounting or impact with vehicle(s), obstacles or other aspects of the environment, (d.) theft, vandalism or other intentional damage.

Remedy Limited to Repair/Replacement:
The exclusive remedy provided hereunder shall, upon TACTIK® inspection and at TACTIK's option, be either repair or replacement of product or parts (new or refurbished) covered under this Limited Warranty.

Customers requesting warranty consideration should first contact TACTIK® to obtain a RGA number (610-701-3336). All labor, removal, shipping and installation costs are customer's responsibility.

Other Limitations - Exclusion of Damages - Your Rights Under State Law:

In consideration of the purchase price paid, neither TACTIK® nor any independent TACTIK® distributor/licensee are responsible for any time loss, rental costs, or for any incidental, consequential, punitive or other damages you may have or incur in connection with any part or product purchased. Your exclusive remedy hereunder for covered parts is repair/replacement as described above.

This **Limited Warranty** gives you specific rights. You may also have other rights that vary from state to state. For example, some states do not allow limitations of how long an implied warranty lasts and /or do not allow the exclusion or limitation of incidental or consequential damages, so the limitations and exclusions herein may not apply to you.

© TACTIK® 2016. All Rights Reserved.
1.5.16 LTR Version

Instruction Booklet #12999.3046

TACTIK®