



1907 Woodland Ave.
Coffeyville, KS 67337
Phone: (620) 251-9100
Fax: (620) 251-2622

INSTALLATION INSTRUCTIONS TJB MODEL SHELF FOR THE TJB MODEL JEEP

2003-2006

1. Turn sunvisors down against inside of windshield.
2. Install trim-lok **(P)** onto shelf front lip by gently tapping with a rubber or wooden mallet until trim-lok is completely seated as shown in Fig. 3.
3. Assemble center bracket assembly by attaching slip joint bracket **(J)** to center bracket **(I)** using 3/16" flat washer **(K)** and 3/16" nyloc nut **(L)** according to fig. 2. Attach center bracket assembly to the loop at the top center of windshield frame according to fig. 2.
4. Open the circular brackets **(B)** and slip around side roll bars attaching the circular brackets to each side of the shelf **(A)** with the 5/16" x 3/4" carriage bolt **(C)**, 5/16" flat washer **(D)**, and 5/16" nyloc nut **(E)** provided. Do not tighten hardware.
5. Slide shelf forward until center bracket **(I)** aligns with hole in shelf. Attach center bracket assembly to shelf **(A)** using 1/4" pan head screw **(F)**, 1/4" flat washer **(G)**, and 1/4" nyloc nut **(H)**.
6. Slide clip nut **(N)** over flange of shelf access panel **(M)**. Position access panel **(M)** over hole in shelf. Secure in place using 1/4" pan head screw **(O)**. Repeat procedure for remaining access cover.
7. Tighten all remaining hardware at this time. Place the provided non-skid shelf lining into completed shelf.

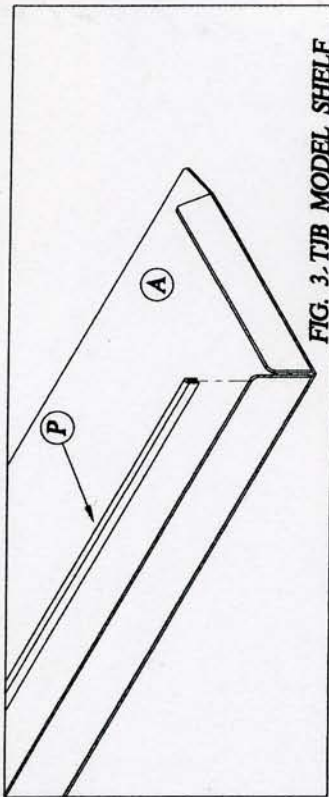


FIG. 3. TJB MODEL SHELF

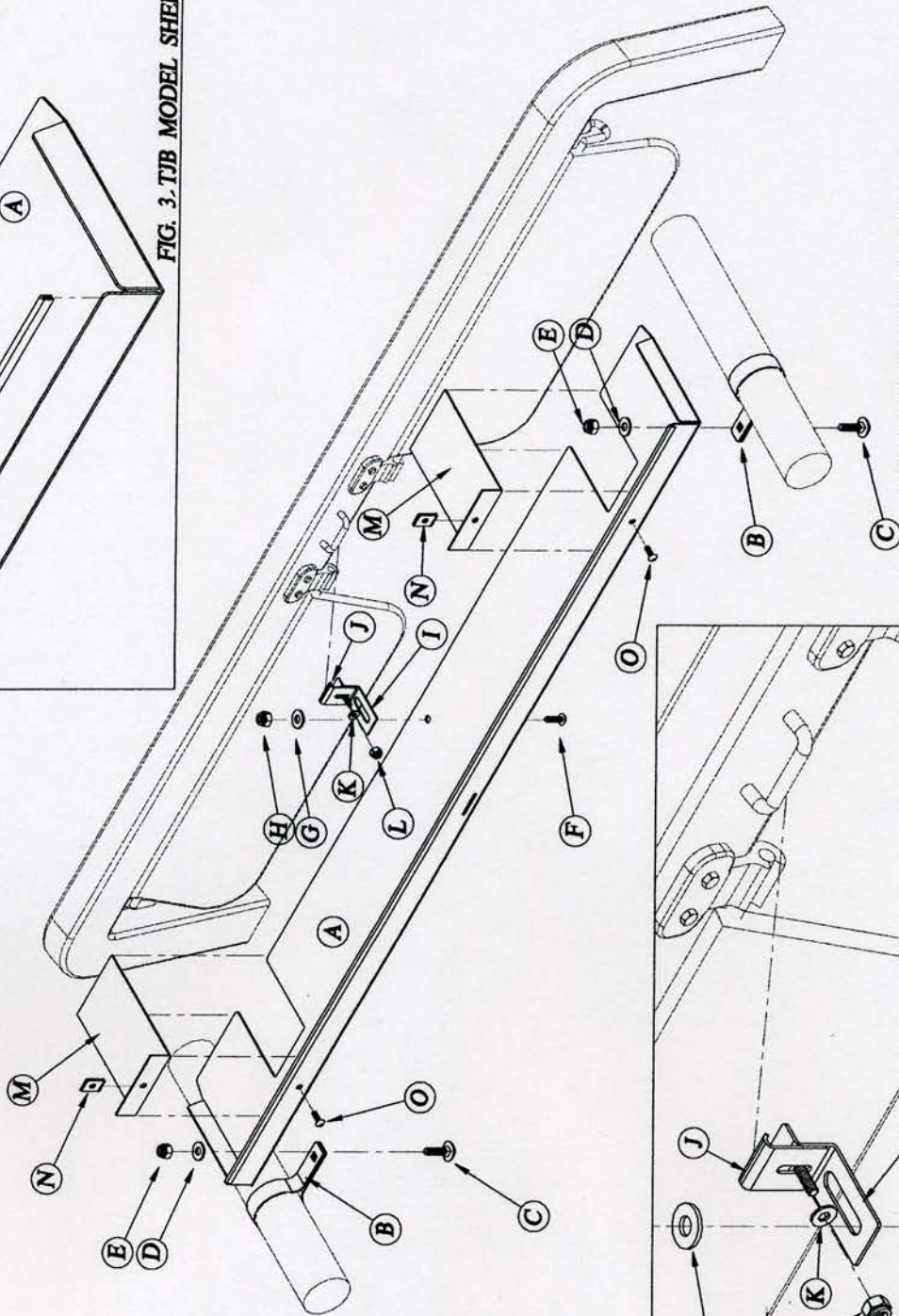


FIG. 1 TJB MODEL SHELF

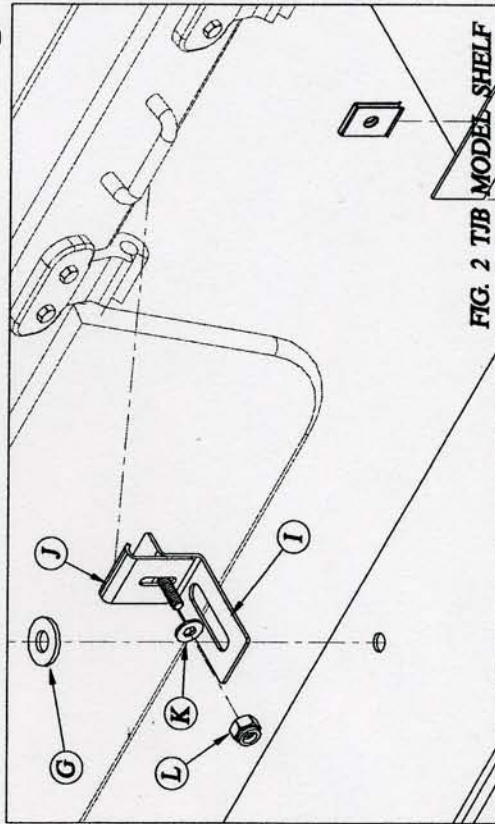


FIG. 2 TJB MODEL SHELF

Phone: (620) 251-9100

www.misch4x4.com

Fax: (620) 251-2622