

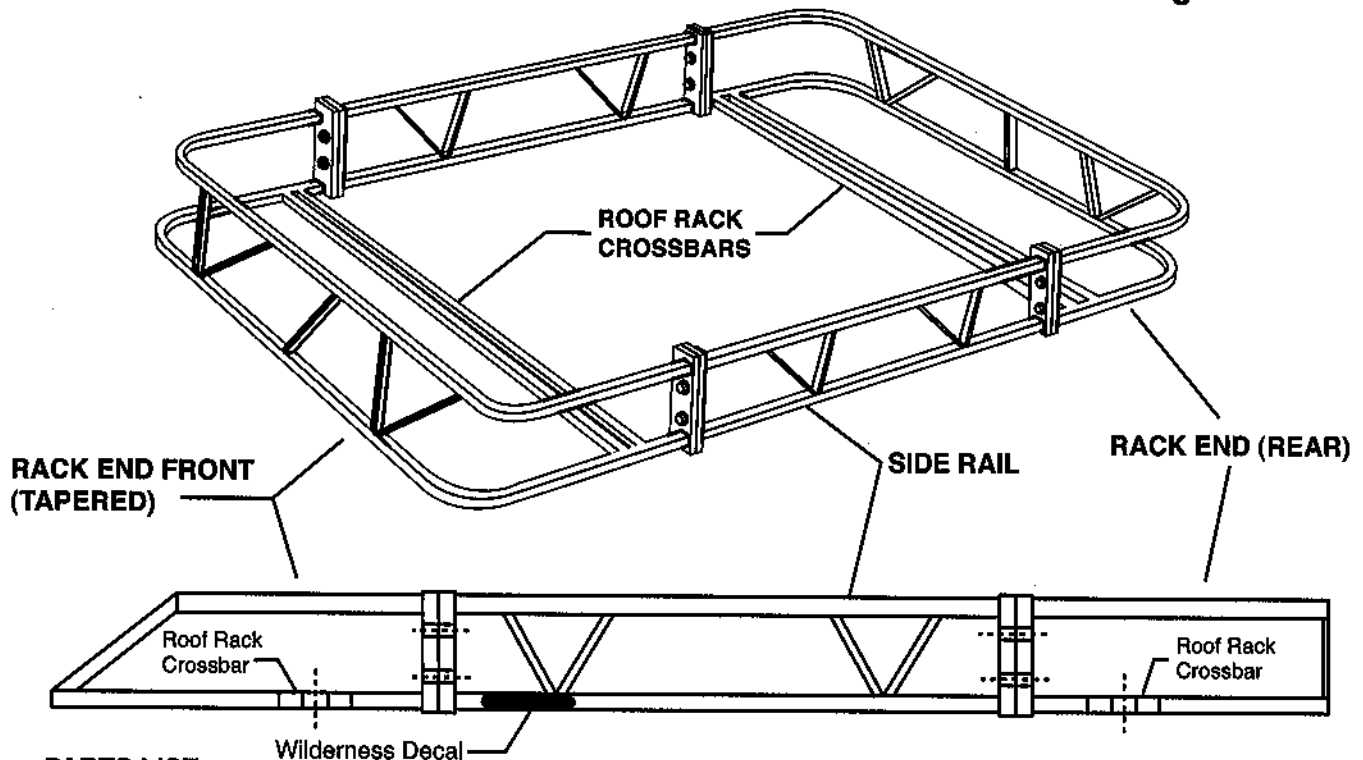
# WILDERNESS SPORT RACK SERIES

General Assembly Instructions

**PART# 38444** Size: 3' 8" x 4' 4" x 4"



Page 1 of 1



**PARTS LIST**

- 1 - FRONT RACK END (TAPERED)
- 1 - REAR RACK END (EVEN)
- 1 - BOLT KIT # 2000
- 2 - SIDES ( 28" x 4" )

**ROOF RACK ASSEMBLY**

- 1 - Assemble roof rack ends to roof rack sides as shown in figures A and B.
- 2 - Align and tighten all fasteners.
- 3 - Roof rack flooring and vehicle mounting are shown in their respective installation instructions.

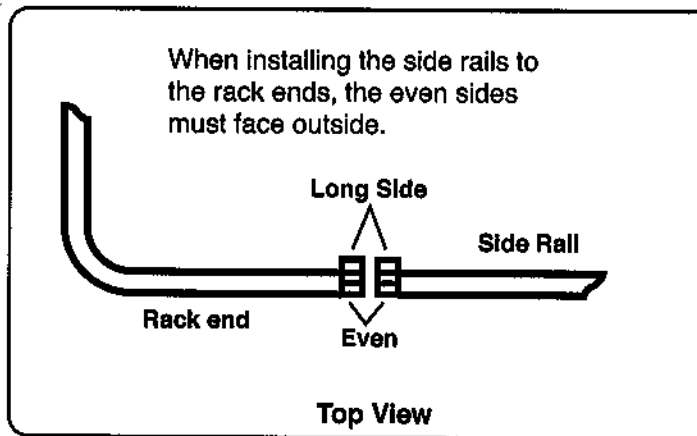
**LIGHT MOUNTING BRACKET (each)**

PART # 88140 Front only  
PART # 88134 Rear and side

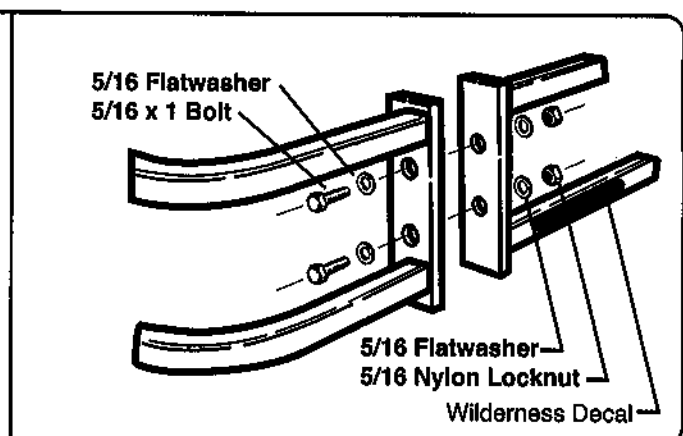
**CAUTION!!! LOADING and WEIGHT CAPACITY**

- 1 - Use common sense when loading items on this roof rack.
- 2 - The roof rack will support more weight than the vehicle roof mounting will safely support.
- 3 - As a general rule up to 200 Lbs. evenly distributed is a safe load for this rack.

**FIGURE A**



**FIGURE B**





**WILDERNESS™**  
**Accessories**  
MFG. BY GARVIN INDUSTRIES

**Manufacturers of Specialty Products  
for Sport Utility and 4x4 Vehicles**  
316 Millar Avenue • El Cajon, CA 92020  
Phone 619/440-7415 • FAX 619/440-0851

## Wilderness Roof Rack Mounting Kit Part# 28024

### Parts List

- 4-Top Brackets
- 4-Lower brackets
- 8-Track Threaded Plates  $\frac{7}{8} \times 2\frac{1}{2}$
- 4-3/8 x 1 1/2 bolts
- 4-3/8 thin nylon locknuts
- 4-3/8 H.D. large Flatwashers
- 16-6mm x 20mm Bolts
- 24-6mm Flatwashers
- 8-6mm Lockwashers
- 8-6mm Nylon Locknuts

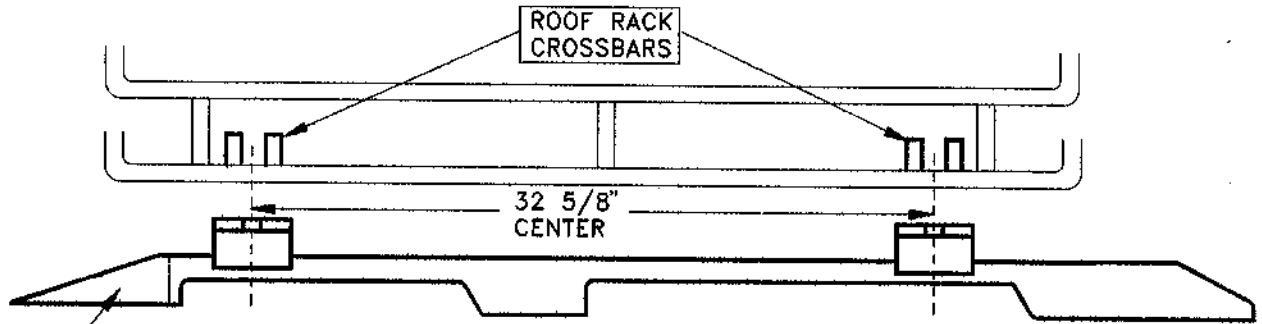
### Installation Instructions

1. **NOTE! Important:** Leave all fasteners loose until directed to tighten. This will make installation easier.
2. Remove rear plastic cover from factory roof rack.
3. Slide assembled roof rack brackets into factory slot, as shown.
4. Re-install plastic cover.
5. Slide rear brackets as far to the rear as possible, slightly tighten to hold in place.
6. Move front brackets forward till you have 32 5/8" center measurement, as shown. Slightly tighten to hold in place.
7. Assemble roof rack and flooring as shown in instructions.
8. Set assembled roof rack on brackets, as shown. Align and center rack.
9. Tighten all mounting hardware.
10. Any questions on assembly please call 1-800-526-2988, M-F 8:00am-4:30pm PST.
11. **CAUTION!!! LOADING AND WEIGHT CAPACITY,** Use common sense when loading items on this roof rack. The roof rack will support more weight than the vehicle roof mounting will safely support. Use manufacturers weight limits as a guide for loading this roof rack.

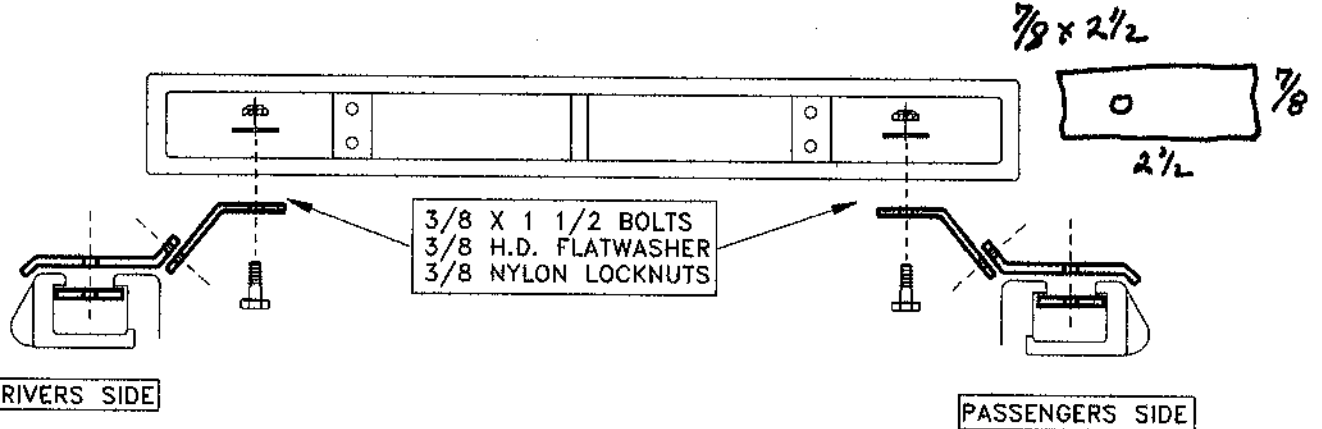
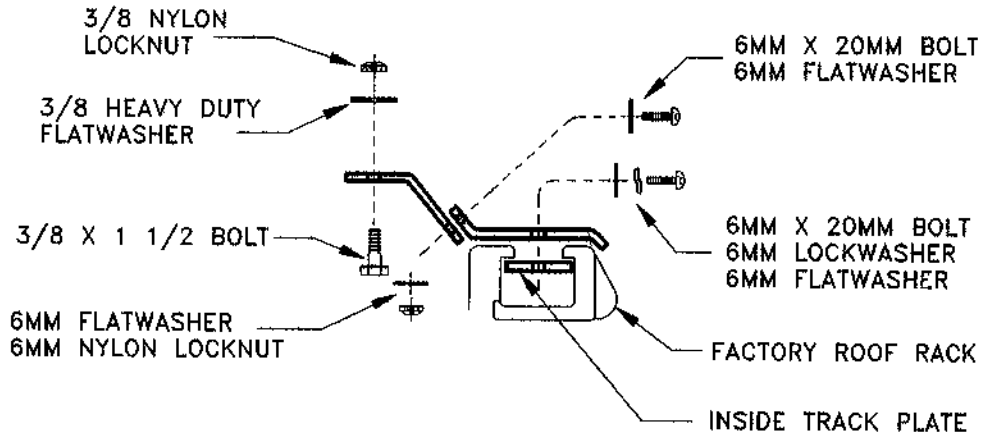


# WILDERNESS ROOF RACK

1999 GRAND CHROKEE ROOF RACK MOUNTING  
KIT PART# 28024



REMOVE BLACK PLASTIC COVER FROM REAR OF FACTORY RACK TO GAIN ACCESS TO METAL TRACK



# WILDERNESS ROOF RACK FLOORING

## General Assembly Instructions



PART # 11446

Page 1 of 1

FIGURE A

Install black plastic plugs into end of flooring. Use silicon around plug before installing for added protection in (wet) weather conditions.

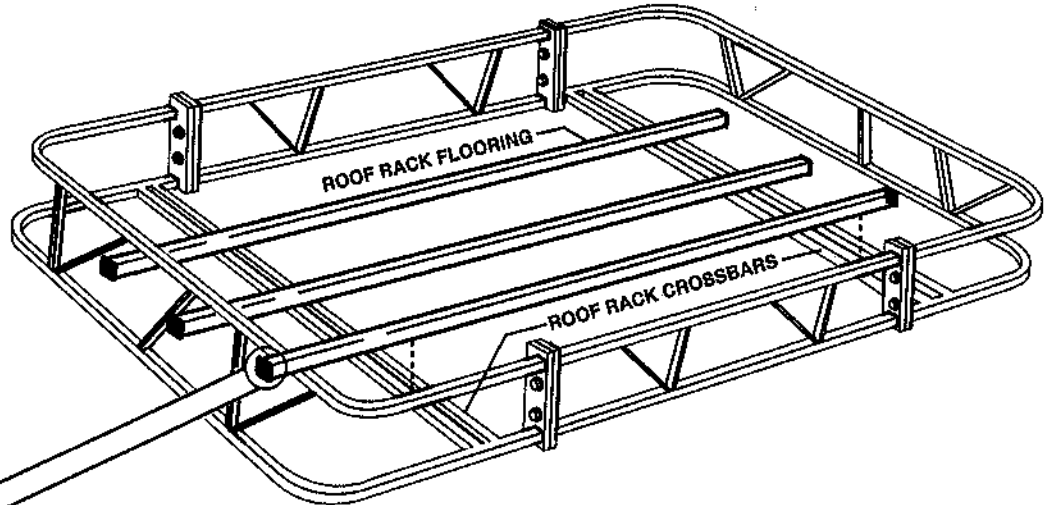
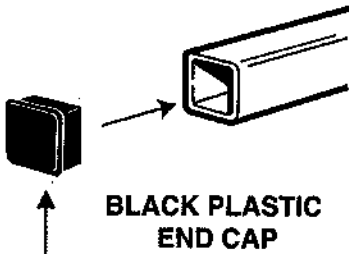
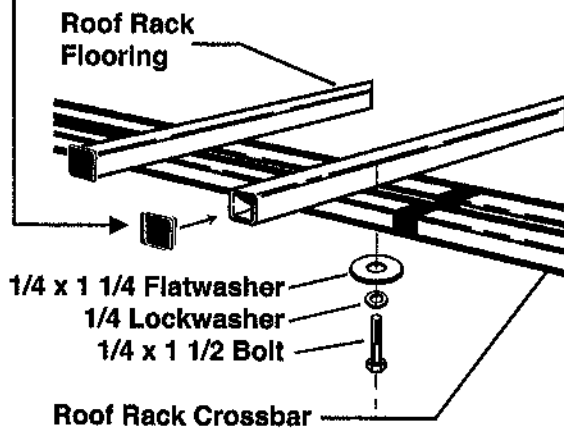


FIGURE B



THE FLOORS MOUNT ON TOP OF THE ROOF RACK CROSSBARS AND ARE COMPATIBLE WITH EITHER THE SPORT SERIES OR THE OFF ROAD SERIES ROOF RACKS.

### PARTS LIST

6 - FLOOR PIECES ( 41 3/4" )

1 - FLOORING BOLT KIT

#### CONTENTS

- 12 - 1/4 X 1 1/4" BOLTS
- 12 - 1/4 LOCKWASHERS
- 12 - 1/4 FLATWASHERS (1 1/4" DIA.)
- 12 - BLACK PLASTIC END CAPS

Apply Loctite to threads of 1/4 x 1 1/2" bolts for off road use.

SEE YELLOW CAUTION SHEET BEFORE TIGHTENING BOLTS

### INSTALLATION INSTRUCTIONS

- 1 - INSTALL BLACK PLASTIC END CAPS IN FLOOR ENDS ( FIGURE A )
- 2 - INSTALL FLOORS TO ROOF RACK CROSSBARS ( FIGURE B )
- 3 - START ALL BOLTS IN FLOORING ( FIGURE B ), LEAVE BOLTS LOOSE, EVENLY SPACE FLOORS ON ROOF RACK.
- 4 - ALIGN FLOORS AND THEN READ THE YELLOW CAUTION SHEET ( ENCLOSED ) BEFORE TIGHTENING 1/4 X 1 1/2" BOLTS.
- 5 - THE TWO OUTSIDE ( OUTBOARD ) FLOORS MAY HAVE TO BE RE-ADJUSTED TO CLEAR THE MOUNTING BOLTS AS THEY COME UP THROUGH THE CROSSBARS.
- 6 - WHEN INSTALLING THE SPARE TIRE CARRIER PART# 29880) THE TWO MIDDLE FLOORS MUST BE SPACED SO THE OUTSIDE MEASUREMENT IS 5 3/8".