



Hitch Rack Bracket Installation Instructions



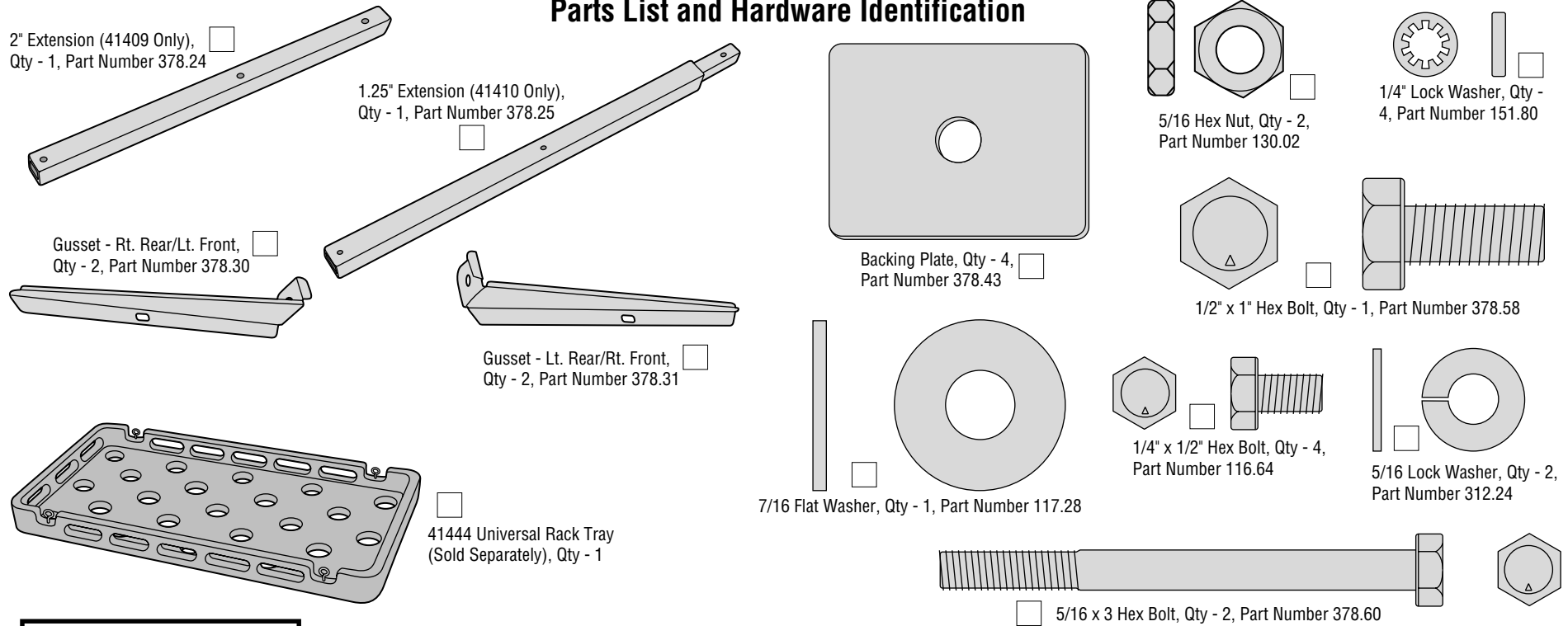
**For: 2" Receiver Hitch
1 1/4" Receiver Hitch**

**Part Number: 41409
Part Number: 41410**

	WARNING
<p>This product is designed to enhance the appearance of the vehicle. Do not rely in any way on the components of this product to contain occupants within the vehicle, or to protect against injury or death in the event of an accident. Never operate vehicle in excess of manufacturer's specifications.</p>	
WEAR SEAT BELTS AT ALL TIMES	
<p>Read and follow, precisely, all installation instructions provided when installing this product. Failure to do so could place occupants of the vehicle in a potentially dangerous situation. After installing or reinstalling, check to make sure it has been properly installed.</p>	



Parts List and Hardware Identification



Tools Needed

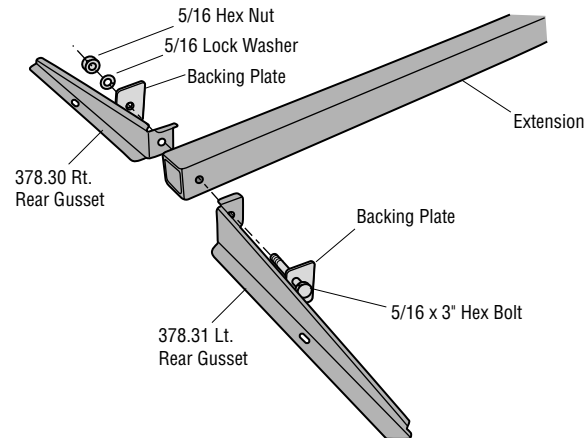
7/16 Wrench
1/2" Wrench
Adjustable Wrench
Safety Glasses

Installation

Step One

Attach Rear Gussets to Extension.

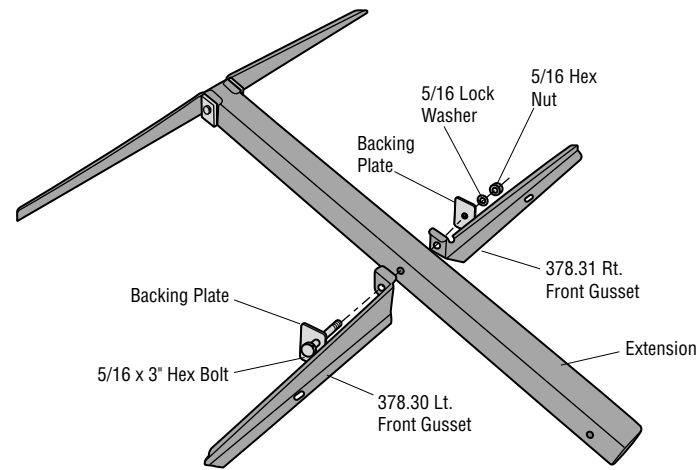
Orient the extension so the sides with holes in them are vertical. Place a 378.30 and 378.31 Gusset on each side of the Extension aligned with the 5/16" hole that is closest to the end. The small flange on the Gusset near the round hole should lie on top of the Extension. The flange that runs the length of the Gusset should point away from the Extension. Attach both Gussets to the Extension using one 5/16 x 3 Hex Bolt, Lock Washer, Hex Nut and two Backing Plates. The Backing Plates should be positioned flat against the Gusset on each side of the Extension. Tighten the assembly securely.



Step Two

Attach Front Gussets to Extension

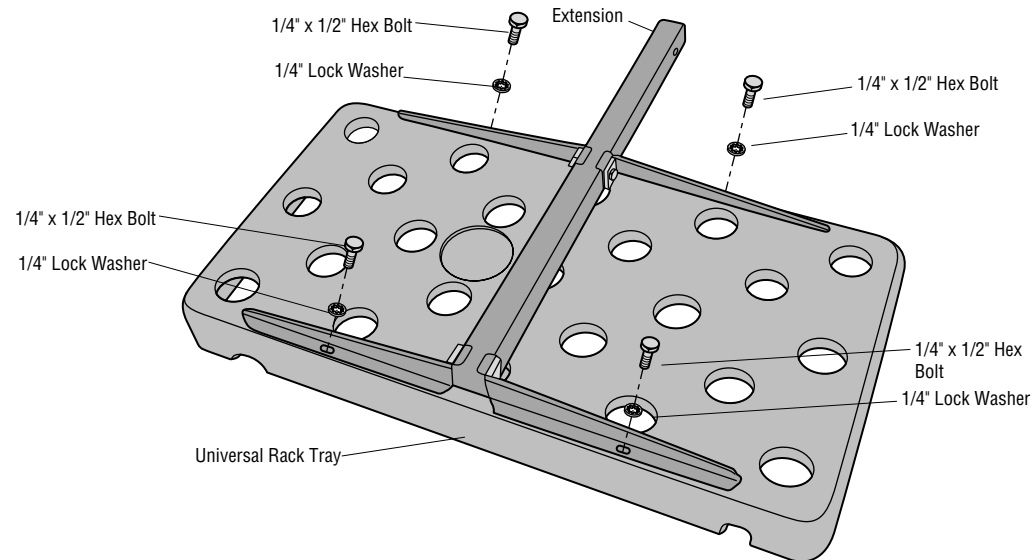
Position the remaining Gussets on each side of the 5/16" hole that is near the middle of the Extension. The small flange on the Gusset that is next to the round hole should lie on top of the Extension. The flange that runs the length of the Gusset should point towards receiver end of the Extension which has the large hitch pin hole in it. Attach both Gussets to the Extension using one 5/16 x 3 Hex Bolt, Lock Washer, Hex Nut and two Backing Plates. The Backing Plates should be positioned flat against the Gusset on each side of the Extension. Tighten the assembly securely.



Step Three

Attach Universal Rack Tray to Extension Assembly

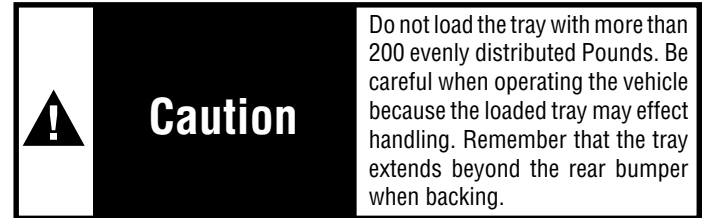
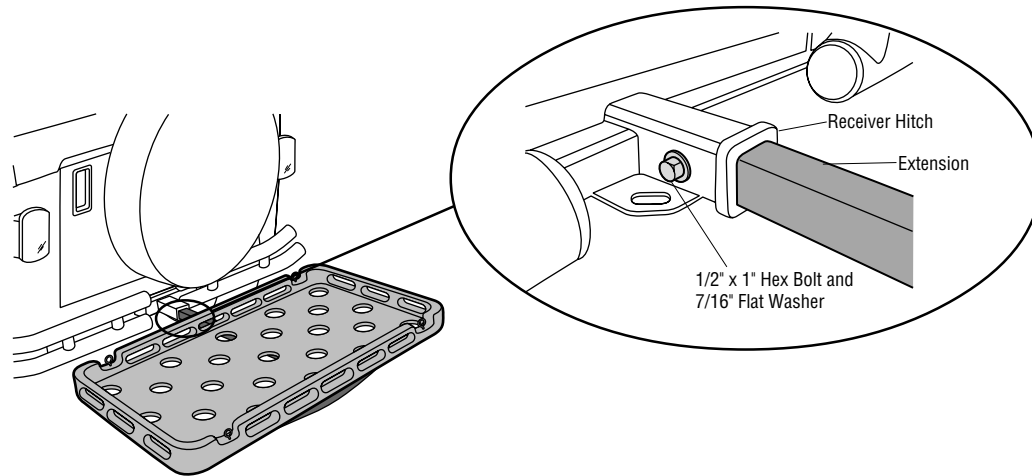
Turn the Universal Rack Tray upside down and align the slots in the Gussets with the threaded inserts that are located on the long side of the Rack Tray. Attach the bracket assembly to the Rack Tray with four 1/4" x 1/2" Hex Bolts and 1/4" Lock Washers. Tighten the fasteners securely. Be careful not to strip the inserts.



Step Four

Install Tray Assembly

Turn the Tray Assembly right side up and slide the end of the Extension into the receiver hitch of the vehicle. Align the threaded hole in the Extension with the hitch pin hole in the receiver hitch. Insert the 1/2 x 1" Hex Bolt with 7/16" Flat Washer through the hole in the hitch and tighten securely into the threaded hole in the Extension.



LIMITED WARRANTY

We warrant our product to be free from defects in material and workmanship, for terms specified below, provided there has been normal use and proper maintenance. This warranty applies to the original purchaser only. All remedies under this warranty are limited to the repair or replacement of any item or items found by the factory to be defective within the time period specified.

If you have a warranty claim, first you must call our factory at the number below for instructions. You must retain proof of purchase and submit a copy with any items returned for warranty work. Upon completion of warranty work, if any, we will return the repaired or replaced item or items to you freight prepaid. Damage to our products caused by accidents, fire, vandalism, negligence, misinstallation, misuse, Acts of God, or by defective parts not manufactured by us, is not covered under this warranty.

THE WARRANTY TIME PERIOD IS AS FOLLOWS: ALL "HARD GOODS" MANUFACTURED BY OUR COMPANY (USING PRIMARILY VINYL, PLASTICS, AND/OR FOAM): ONE YEAR FROM DATE OF PURCHASE.

ANY IMPLIED WARRANTIES OF MERCHANTABILITY AND/OR FITNESS FOR A PARTICULAR PURPOSE CREATED HEREBY ARE LIMITED IN DURATION TO THE SAME DURATION AND SCOPE AS THE EXPRESS WRITTEN WARRANTY. OUR COMPANY SHALL NOT BE LIABLE FOR ANY INCIDENTAL OR CONSEQUENTIAL DAMAGE.

Some states do not allow limitations on how long an implied warranty lasts, or the exclusion or limitation of incidental or consequential damages, so the above limitations or exclusions may not apply to you.

This warranty gives you specific legal rights, and you may also have other rights which vary from state to state.

For further information or request for warranty work, please contact:

Bestop Inc.
Customer Service
(800)346-3910
(303)465-1755

