

Attention! If it's needed to remove installed gas strut, disassemble how shown on the picture. Operate with the hood being totally open.

Check vehicle manual

After installation, check the correct operation of all elements.

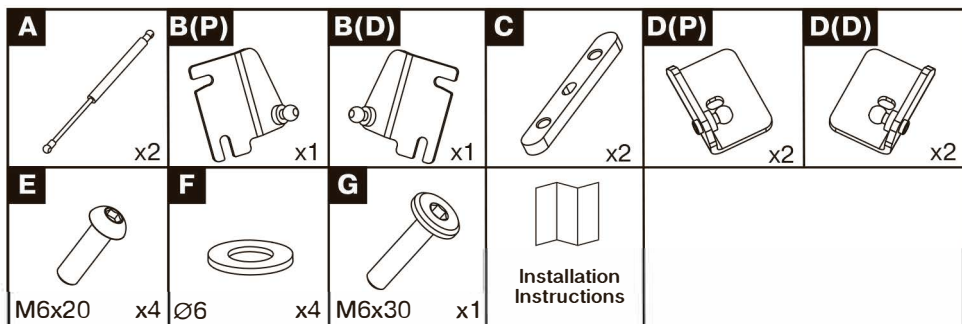
Jeep Wrangler JL Jeep Gladiator JT



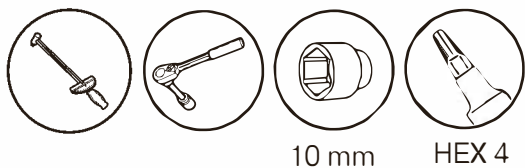
HOOD GAS STRUTS
Installation Instructions



Model year:	Jeep Wrangler JL 2018- Jeep Gladiator JT 2019-
Part No.:	2A.ST.2702.1
Compatibility:	all types
Weight:	2.2 lbs
Installation time:	30 min



Required Tools:



⚠ Attention!

Before installation of gas struts, open the hood and check that there is no additional equipment installed in engine bay which can block installation.

