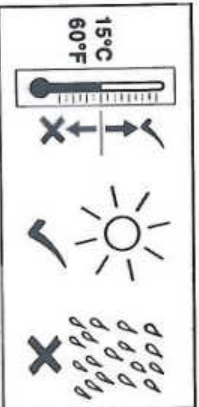
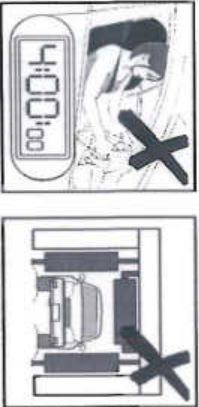
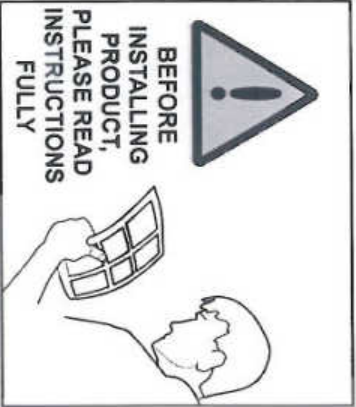


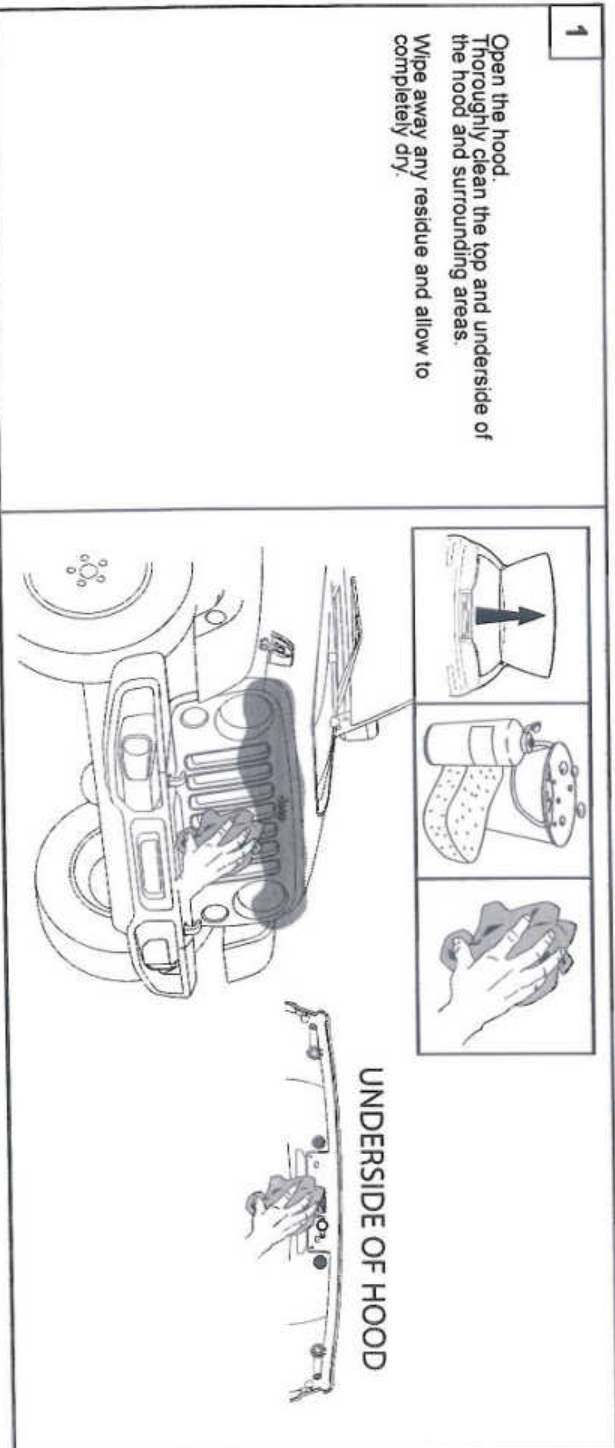
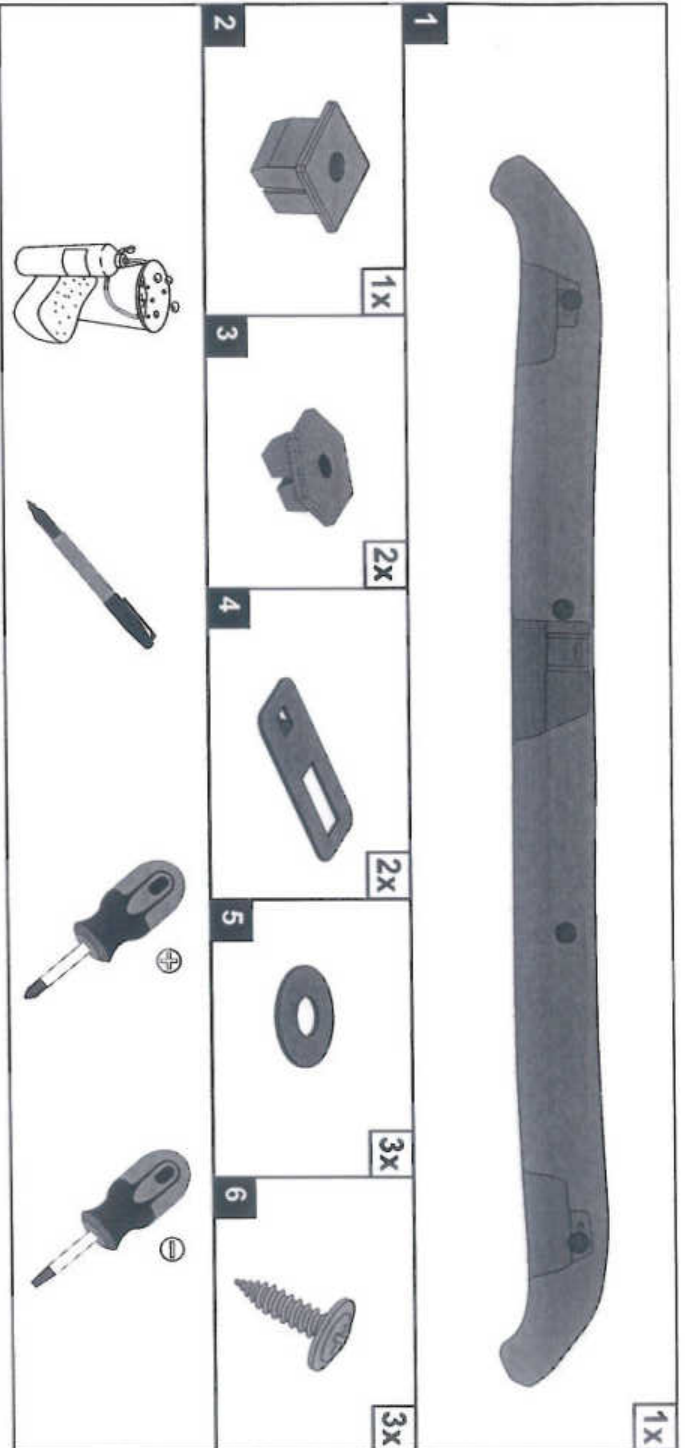
EGR

INSTALLATION INSTRUCTIONS

Tools Required



MADE IN USA



SUP530 03_08_2019

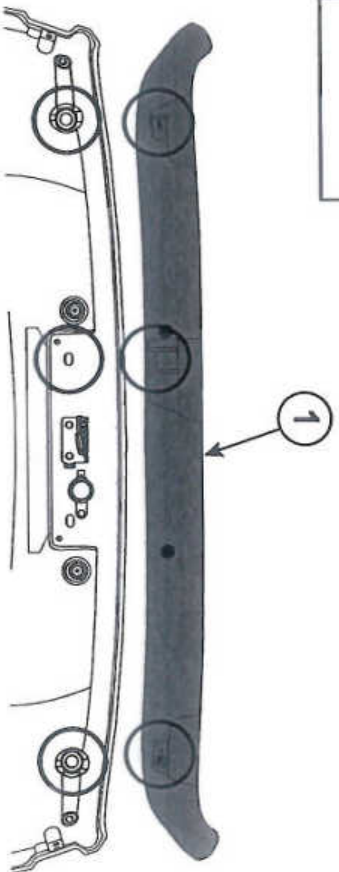
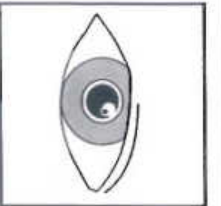
PAGE 1/4

EGR

INSTALLATION INSTRUCTIONS

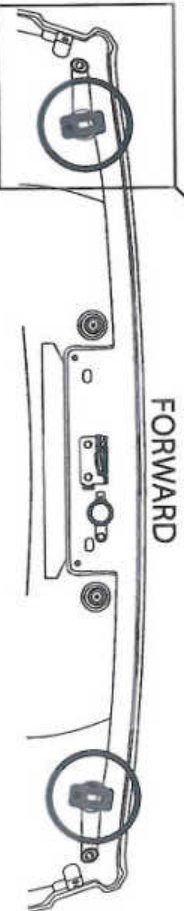
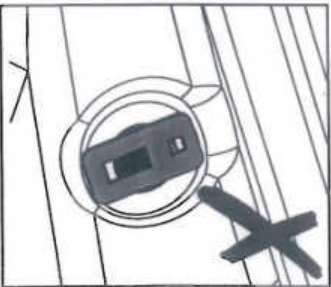
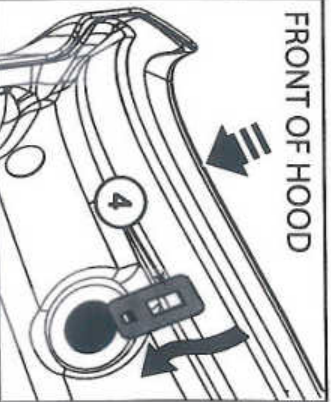
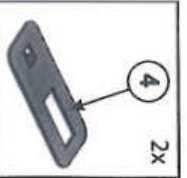
2

Trial fit the Hood Deflector and note where the slots correspond to the holes in the hood.



3

Slide a clip (4) into each hole and ensure that the hook is engaged under the sheet metal.

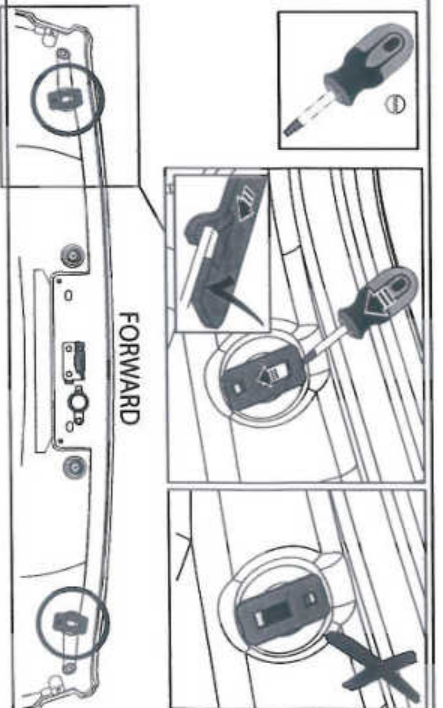


EGR

INSTALLATION INSTRUCTIONS

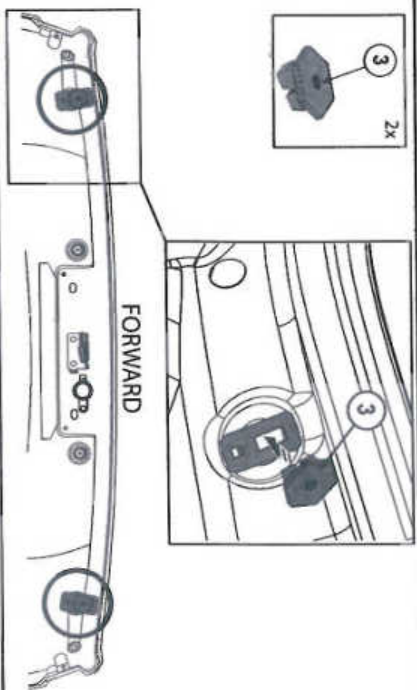
4

Tap the clip with a screwdriver to push it so that the hook is fully seated on the hood.



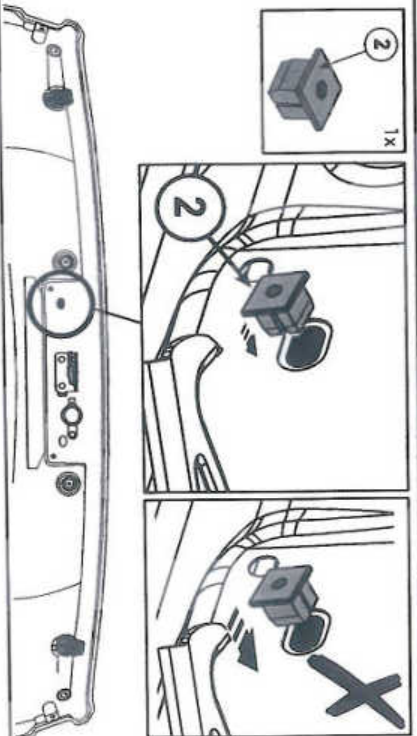
5

Align the octagonal plug (3) with the rectangular hole and press it into the clip as shown.



6

Fit the square plug into the central rectangular slot in the hood as shown.

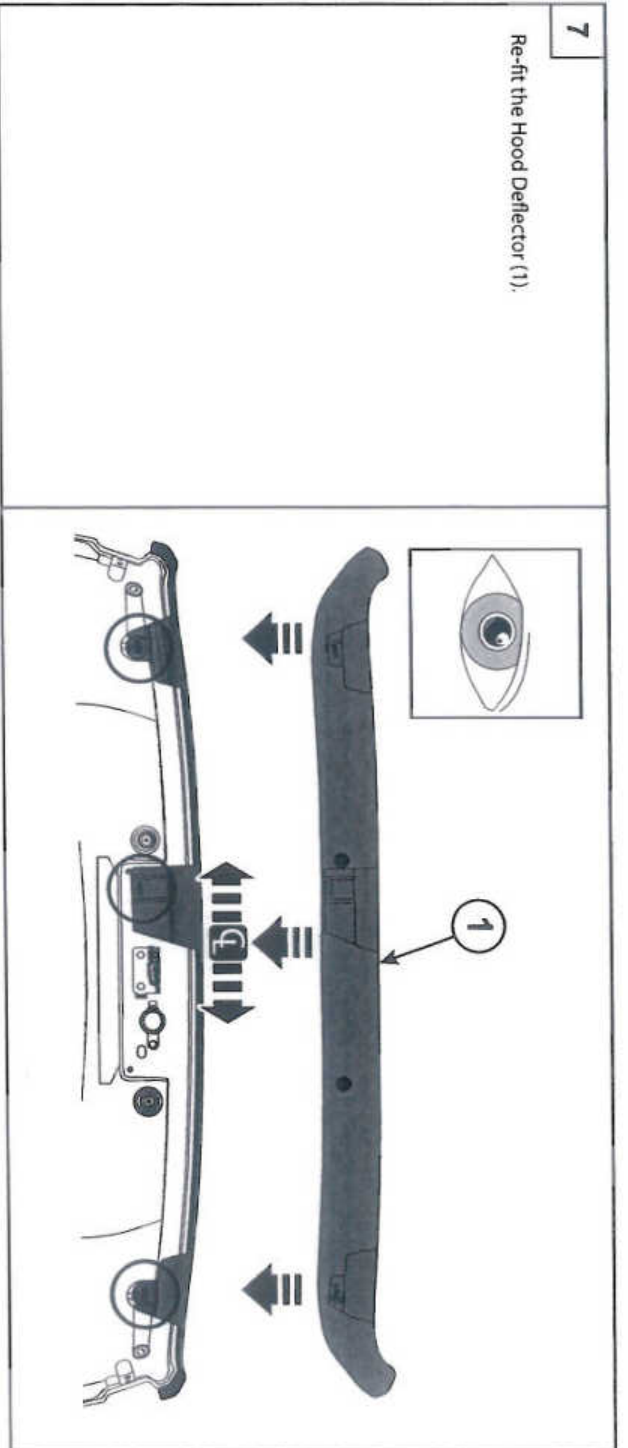


EGR

INSTALLATION INSTRUCTIONS

7

Re-fit the Hood Deflector (1).



8

Secure the Hood Deflector with the screws and washers provided.

