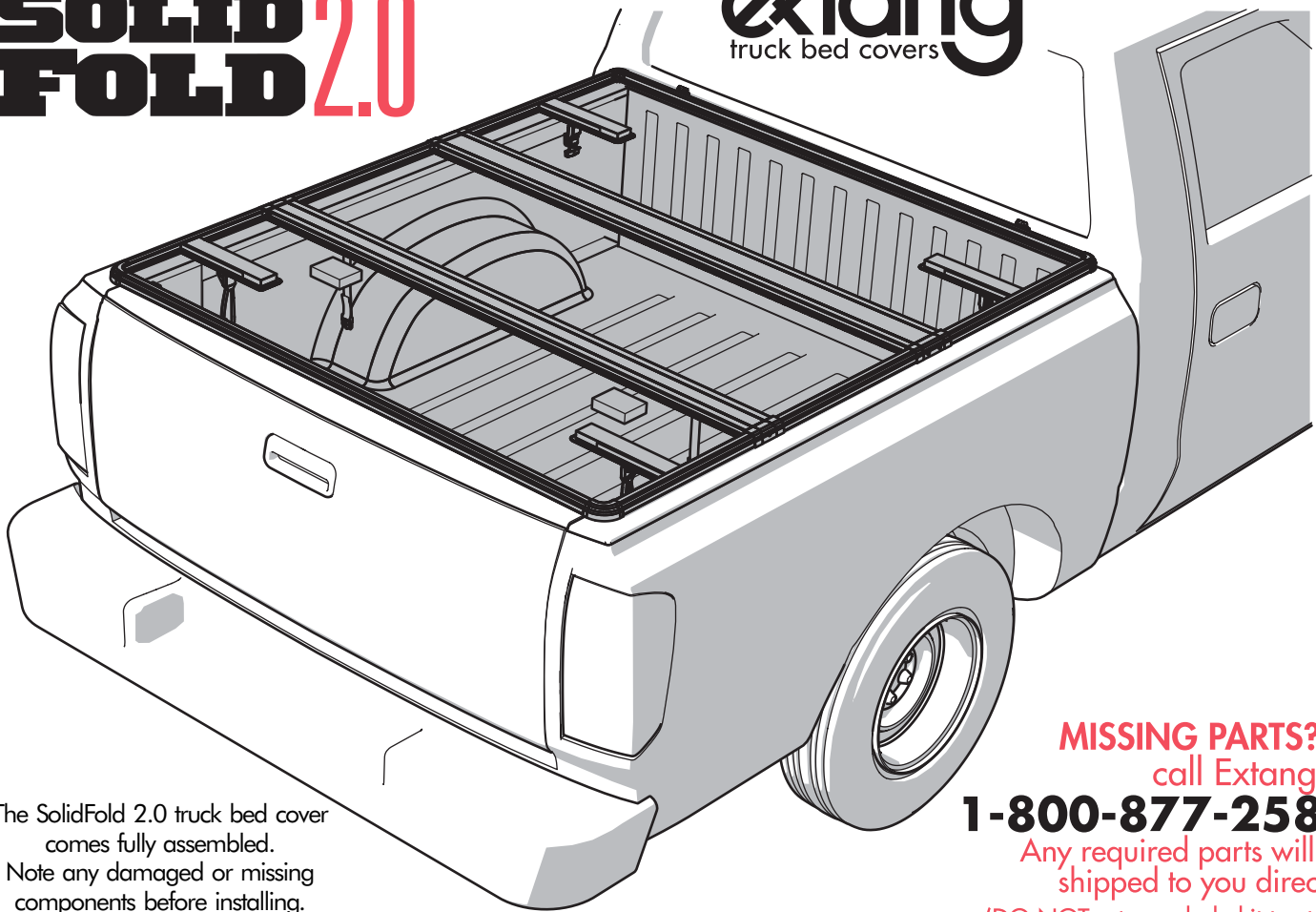


INSTALLATION SHEET

SOLID FOLD 2.0

extang
truck bed covers



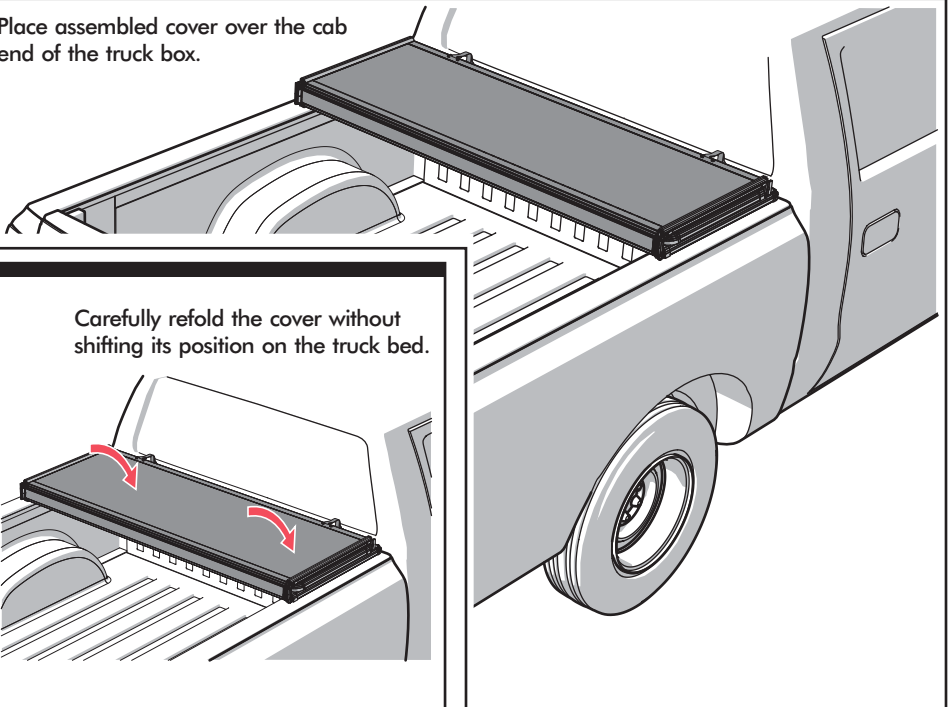
The SolidFold 2.0 truck bed cover comes fully assembled. Note any damaged or missing components before installing.

MISSING PARTS???
call Extang at
1-800-877-2588
Any required parts will be shipped to you directly.
(DO NOT return whole kit to store)

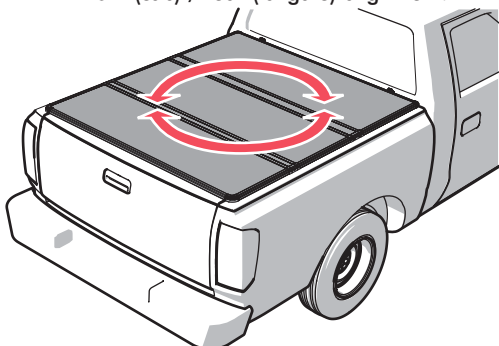
- 1** It is important that all areas where the bed cover mounts are clean and free of debris prior to installing.



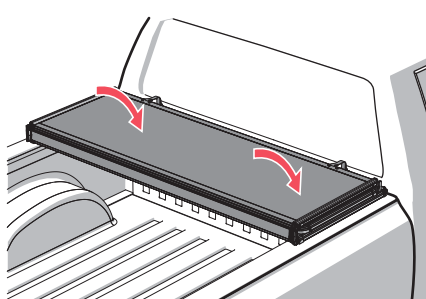
- 2** Place assembled cover over the cab end of the truck box.



- 3** Unfold the cover fully and adjust position over the truck bed for proper front (cab) / rear (tailgate) alignment.



Carefully refold the cover without shifting its position on the truck bed.



Extang Corporation
5400 S. State Road
Ann Arbor, MI 48108
734-677-0444, Fax: 734-677-8409



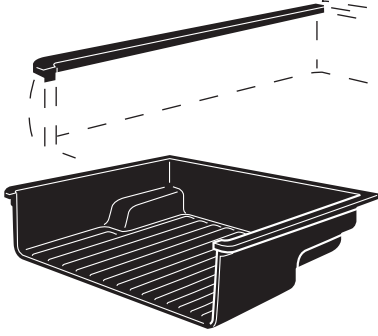
3 1 8 2 2 0 1 7 - 3 0

TRUCK HERO
company

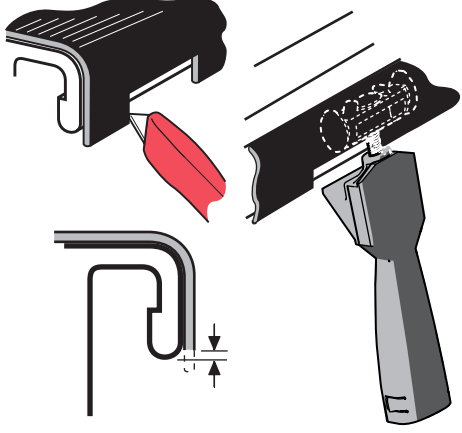
Item No. 31822017-30 07.18 DD
© Extang, Corp., 2018. Printed in USA

4

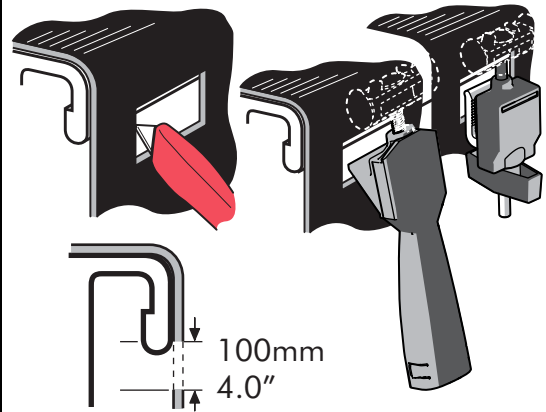
If your truck has a bed cap or bedliner that covers the metal bed wall flange, you will need to remove enough so that all the clamps make solid contact.



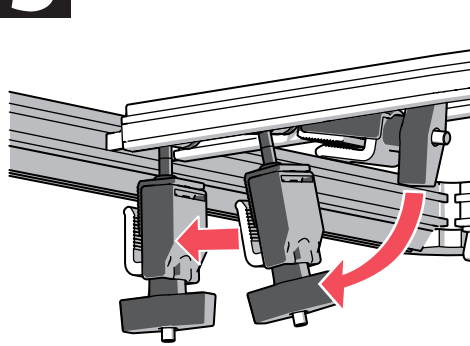
For bed caps, trim only enough of the bed cap edge so the rear (tailgate) clamp contacts the bottom of the metal flange.



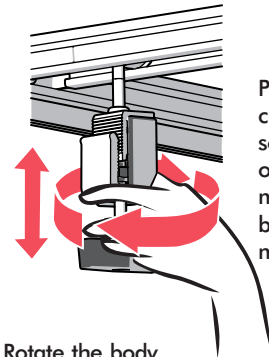
For bed liners that cover the metal flange, trim a minimum of 100 mm or 4" of the liner wall so the clamps contact the bottom of the metal flange.



5

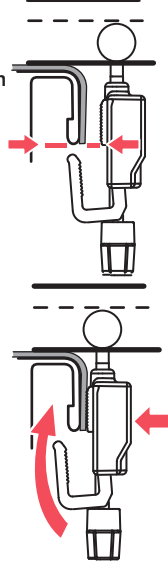


The front (cab) clamp stows in the cover rail. Rotate the clamp down and slide it towards the bed rail.

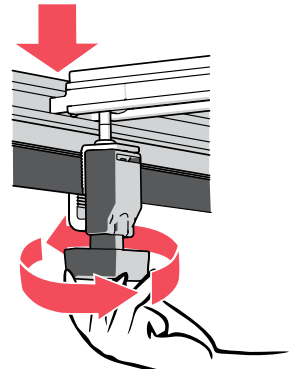


Rotate the body of the clamp up or down to match its position with the bed rail flange.

Position the clamp body so that bottom of the ridges match the bottom of the metal flange.



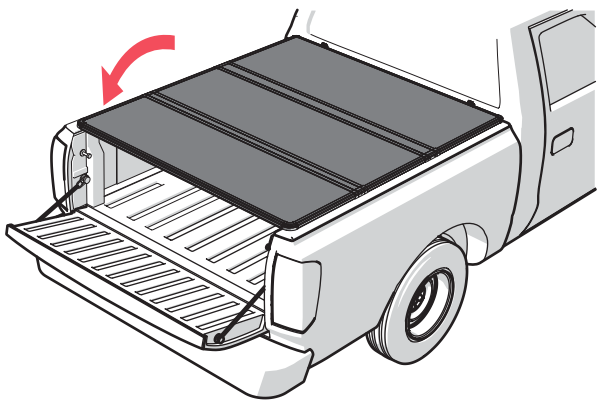
! To aid in better water management and the straight appearance of the cover, push down on the cover to compress the seals while tightening the clamps.



Swing the clamp vertically and align the clamp jaw under the metal truck bed flange. Tighten the T-handle by hand. Do not use a wrench.

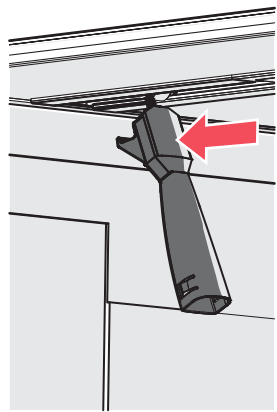
6

With the tailgate open and the front (cab) clamps secure, completely close the cover.

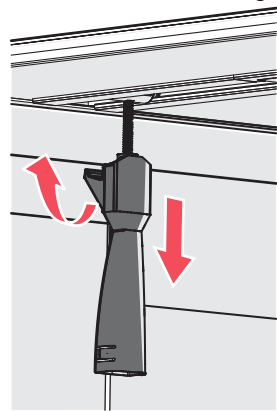


7

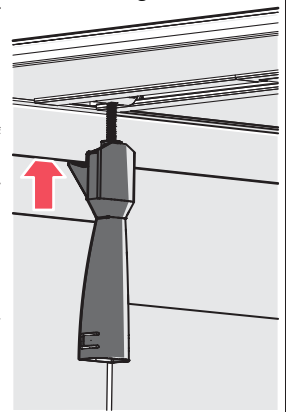
Slide the rear (tailgate) clamp at an angle to the truck bed rail.



Pull the clamp down and swing it under the truck bed rail edge.



The spring loaded clamp will lock under the truck bed rail edge.



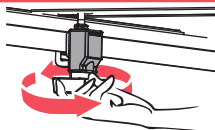
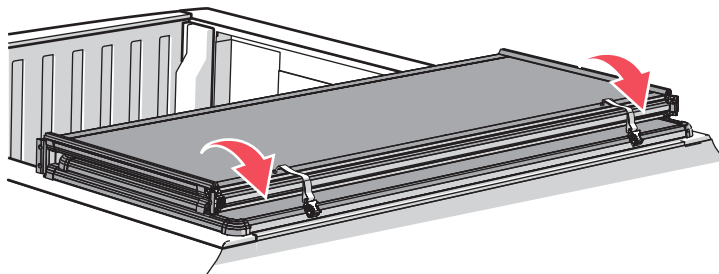
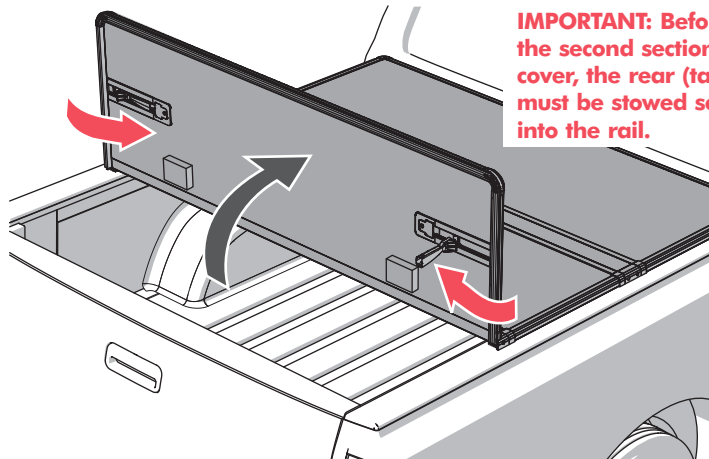
8

To prepare the Solid Fold 2.0 to drive in the open position, release the rear (tailgate) clamps and fold the cover forward.



IMPORTANT: Before folding the second section of the cover, the rear (tailgate) clamps must be stowed securely into the rail.

Fold the cover forward and fasten BOTH straps in the middle section to the front rail.



IMPORTANT
Re-tighten the front / cab clamps after the first week of driving the vehicle. Also periodically check the clamps to ensure they are secure.

IMPORTANT NOTICE

While driving, cover must be completely flat and secure with all four clamps in the closed position or completely folded up (all panels) and secured at the cab. **DO NOT DRIVE** with cover in partially opened position.

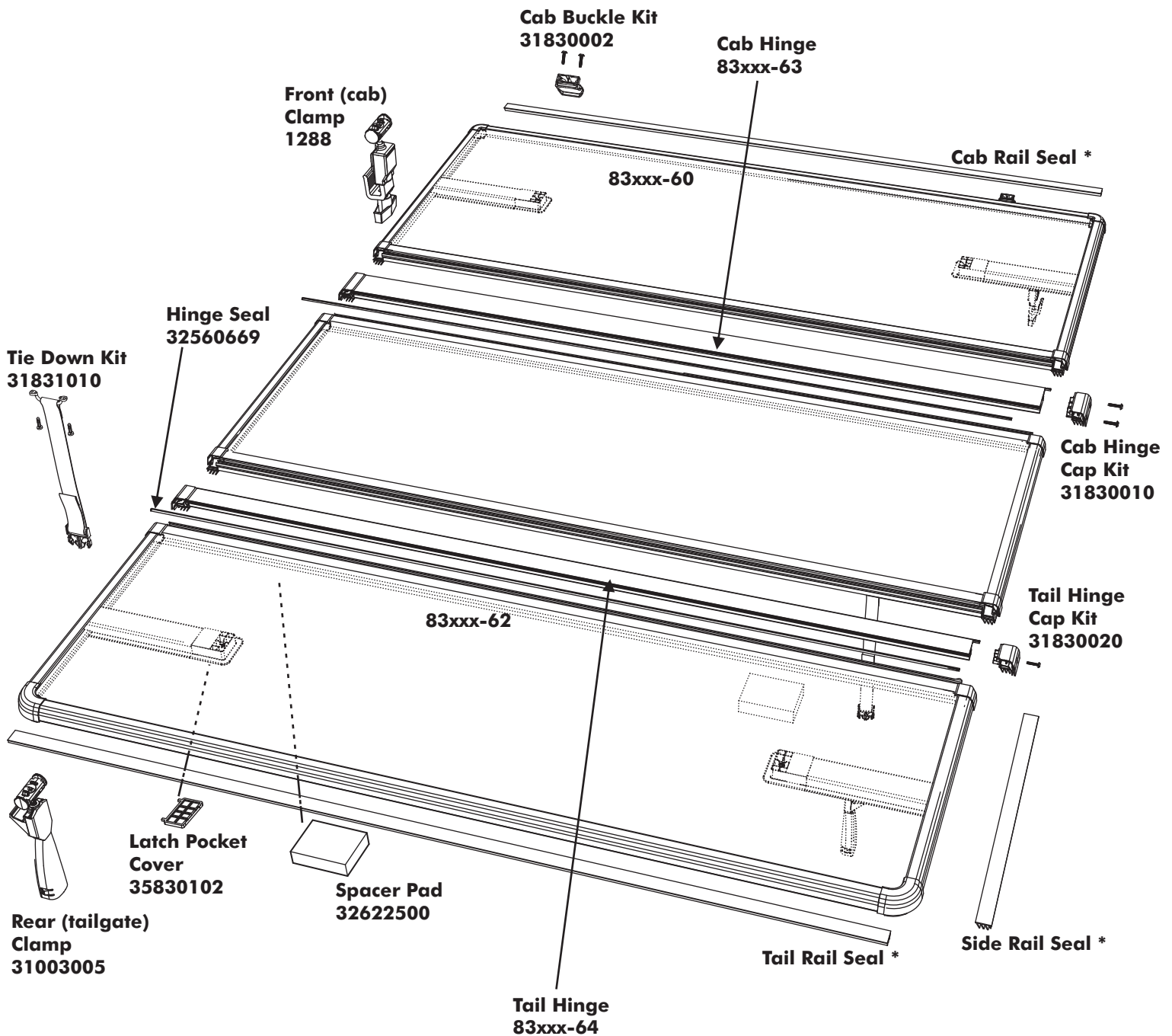
Do NOT tow your vehicle from the rear with any Extang tonneau cover on your truck



SOLID FOLD 2.0

Replacement Parts

NOTE: To order replacement parts, it's best to contact our Customer Service Department for assistance, to ensure getting the correct part for your vehicle application. When ordering, xxx represents the 3-digit suffix, as referenced on the sales receipt or vehicle application list. Customer Service Department: 800-877-2588.



* Specify: Year, Make, Model, Long-bed or Short-bed, Driver or Passenger side.

Register your warranty at:
extang.com

© Extang Corp., 2017 Printed in U.S.A.

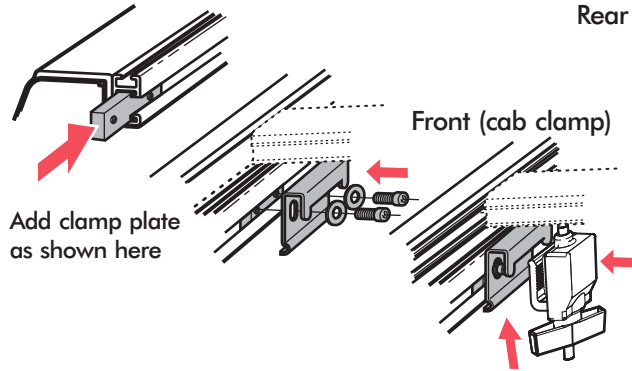
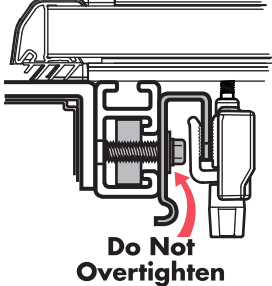
SOLID FOLD 2.0

Special Instructions for Alternative Brackets

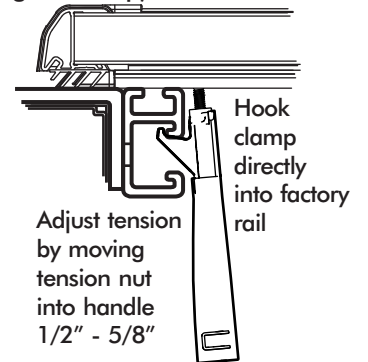
SUPPLEMENT to INSTALLATION INSTRUCTIONS

Dodge Dakota 08-11

Front (cab clamp)
Add clamp plate as shown here

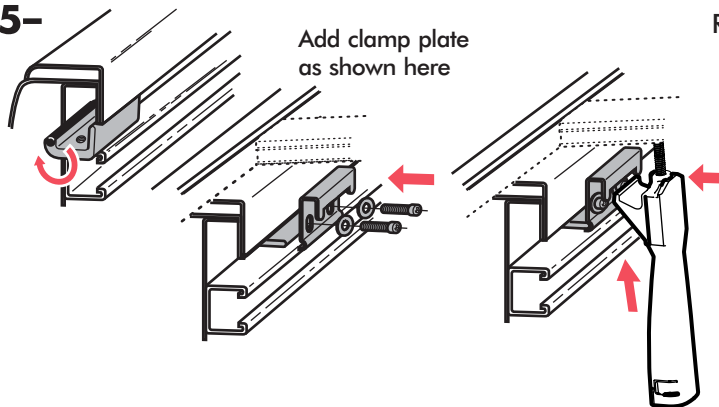


Rear (tailgate clamp)

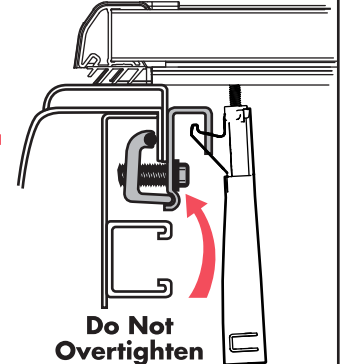


Nissan Frontier 2005-

Front (cab clamp)

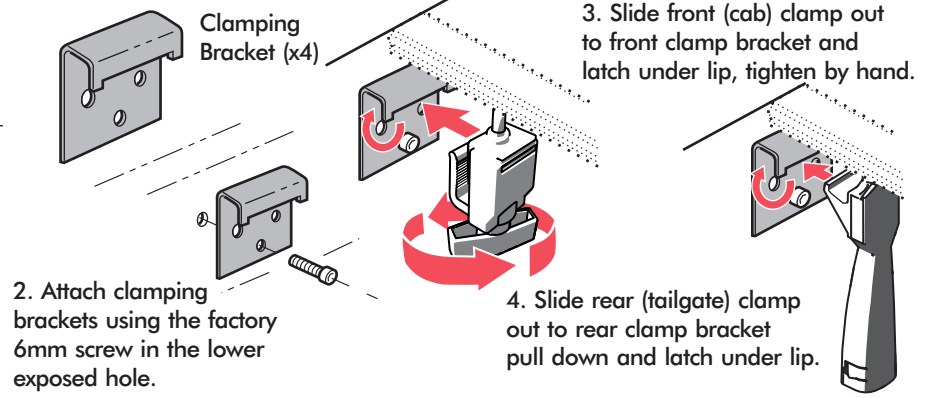
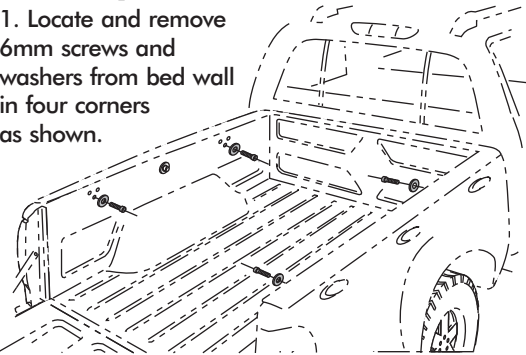


Rear (tailgate clamp)



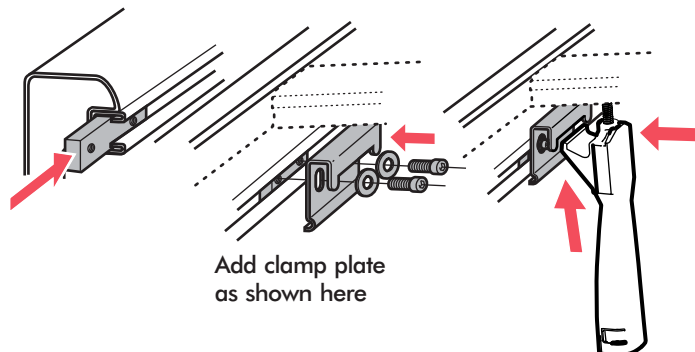
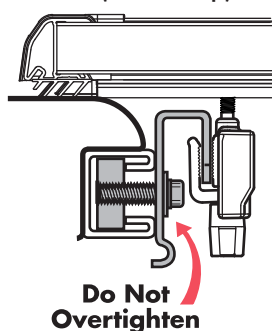
Ford SportTrac

1. Locate and remove 6mm screws and washers from bed wall in four corners as shown.

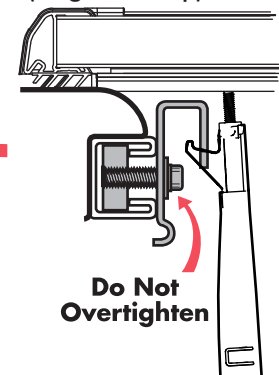


All other Cargo Management equipped trucks

Front (cab clamp)



Rear (tailgate clamp)



TRUCK ACCESSORIES



RECOMMENDED
BY EXTANG

BEDRUG

NEXT GENERATION BEDLINERS

ULTIMATE TRUCK BED PROTECTION

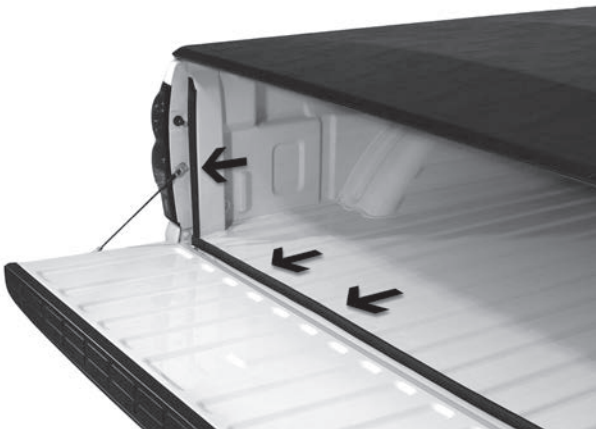
BedRug is a pioneer and industry leader in the development and manufacturing of molded, closed cell polypropylene foam bed liners. Bed liners protect the truck bed from daily wear-and-tear and improve the vehicle's general appearance and utility, extending the useful life and resale value of the truck. For more information call customer service at 800-462-8435 or visit: bedrug.com



e-LIGHT 500

RECHARGEABLE TRUCK BED UTILITY LIGHT

Mounts to your Extang tonneau. The e-LIGHT 500 is an all-new revolutionary lighting system that fully illuminates the entire bed of your truck with ease. Universal in nature, the e-LIGHT 500 has been designed to work from any location inside the truck bed, and can be recharged on the go.



UNIVERSAL FIT TAILGATE SEAL

Keeps dust, rain and snow out of truck bed. Creates a tight seal along sides and bottom of your tailgate. Can be used with any style tonneau cover and on all truck makes and models. Straight forward do-it-yourself installation. Just cut, peel and stick.

MAXIMUM STRENGTH WARRANTY

EXTANG LIMITED WARRANTY

FOR THE FOLLOWING TRUCK BED COVERS:
ENCORE TONNO, SOLID FOLD 2.0 & SOLID FOLD

WARRANTY DURATION

Extang offers three years of coverage from the date of purchase. Warranty is limited to original purchaser of truck bed cover and is non transferable.

WARRANTY CONDITIONS

This warranty is against defective materials or workmanship. The warranty is void if the product has been damaged by accident, unreasonable use, neglect, improper service/installation/removal, modifications, normal wear and tear or other causes not arising out of defective materials or workmanship. Consequential and incidental damages are not covered under this warranty.

WARRANTY EXCLUSION

- Warranty is void if defect in materials and workmanship is not reported in writing within 30 days of discovering a defect.
- Warranty does not cover the cost of shipping, including the cost of returning the product for warranty service or inspection.
- Warranty does not cover scratches and dents to bed cover. Warranty further excludes damage to bed cover as a result of placing, storing, or hauling objects on top of bed cover.
- Warranty will be void if shipping damage is not reported in writing within 3 business days of purchase.

THE FOLLOWING CONDITIONS WILL ALSO VOID THE WARRANTY

- **OVERLOADING OF CARGO** – Cargo should not touch the tonneau at any point. Protrusions in the tarp will stress the fabric. Cargo may shift while traveling and cause it to push against the fabric or panels and damage it.
- **DRIVING WITH PANELS OPEN OR IMPROPERLY SECURED** – Prior to vehicle operation, clamps must be tightly secured so that clamp lips tightly grip the inner bedside metal surface. **OPEN POSITION:** Tonneau must be completely folded and secured with BOTH buckles. **CLOSED POSITION:** Tonneau must be completely flat and secured at all 4 clamps.
- Top of tonneau **MUST** be free of foreign material including snow and ice before opening panels or severe damage may result.
- Do **NOT** tow your vehicle from the rear with any Extang tonneau cover on your truck.



PERFORMANCE

Provided all warranty conditions are met Extang will either repair or replace (at Extang's option) the product or component. Extang may require the original item to be returned postage prepaid for final determination. Extang reserves the right to substitute and offer the respective warranty discount on an entire replacement system or provide other remedies than those listed in this warranty for discontinued products or other reasons. A return authorization number must be obtained from our customer service department prior to returning any product. Shipping charges will apply for any repair or replacement. This warranty gives you specific legal rights and you may also have other legal rights which vary from state to state.

REPLACEMENT PARTS

Every truck bed cover is specifically designed to fit your truck. Please contact Extang customer service at 800-877-2588 or email us at info@extang.com to have a specialist assist you with the correct part for your Extang truck bed cover.

ENCORE
TONNO



SOLID FOLD 2.0



SOLID FOLD



SOMETHING DAMAGED? MISSING PARTS?

CALL US FIRST

800-877-2588

WE CAN HELP YOU QUICKLY AND EASILY OVER THE PHONE

RAPID RESPONSE

OVERNIGHT DELIVERY

Experienced Customer Service staff are available to answer all your truck bed cover questions

CUSTOMER SERVICE
8:30 TO 7 EST,
MONDAY - FRIDAY



Tonno Model: _____

Purchase Date: _____

Lot Code: _____

Lot code can be found on underside of cover.