



INSTALLATION INSTRUCTIONS

DRAWER MOUNTING KIT PART # 026 FOR USE WITH PART # 021 OR # 130

Please read and fill out the enclosed warranty registration card to activate your warranty.

TOOLS NEEDED

- (2) 1/2" Wrenches or wrench and Deep Well Socket and Ratchet
- (2) 9/16" Wrenches or wrench and Socket and Ratchet
- (2) 5/8" Wrenches or wrench and Socket and Ratchet
- Electric Drill

For office use only

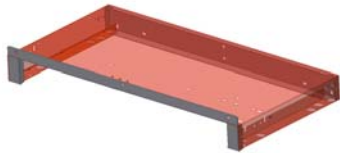
- Shipping Package
- Warranty Card
- (2) Mounting brackets
- Assembly Instructions

Checked by _____

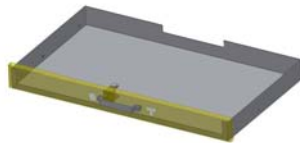
OTHER TOOLS NEEDED IF MOUNTING 021 OPENING TOWARD THE FRONT OF THE VEHICLE

- Pilot drill bit around 3/16" (Recommended)
- 3/8" Drill Bit
- 1/2" Drill Bit
- Utility knife
- Silicone sealant (Recommended)

PARTS LIST



Drawer Enclosure



Drawer



(2) Tuffy mounting brackets

SHIPPING PACKAGE



(2) 7/16 X 3" Bolts



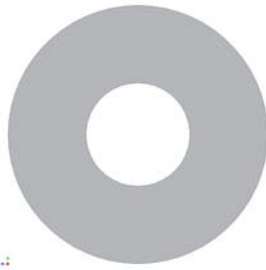
(5) 7/16 X 1-1/4" Bolts



(2) 3/8 x 5/8" Bolts



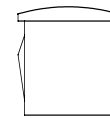
(5) 7/16" Lock Nuts



(12) 7/16" Washers



(2) 3/8" Washers



(26) 1/2" Hole Plugs

MOUNTING INSTRUCTIONS FOR DRAWER OPENING TOWARD THE REAR OF THE VEHICLE

This section applies to both Drawer Part # 021 and Drawer Part # 130

1. Please read the entire assembly instructions and check all included parts before beginning the installation.
2. Check the drawer and lock operation.
3. Remove the rear seat, remove the original rear mounting bracket from the bottom of the rear seat, and remove all (3) seat belt harnesses from the original mounting bracket. Save all these parts and their mounting hardware you will reuse some of them.
4. Remove the drawer from the drawer enclosure. To do this fully open the drawer until it stops. Press the black lever on the right drawer slide down while also pressing the black lever on the left drawer slide up then pull the drawer free.
5. Attach the (2) Tuffy front mounting brackets to the two holes approximately 5 ¼" in from each side on the back side of the drawer using the (2) 3/8 x 5/16" bolts and (2) 3/8" washers. (See Figure 1, Step 1)
6. Bolt the original seat to the (4) holes in the drawer enclosure using the original hardware. The original front seat brackets mounted to the seat should line up with the holes on the Tuffy mounting brackets. (See Figure 1, Step 2)
7. Place the drawer enclosure with the seat in the vehicle oriented with the drawer opening toward the rear of the vehicle. Line the holes in the (2) front mounting brackets up with the two original seat bracket mounting holes. (See Figure 1, Step 3)
8. Mount the end of the drawer which is facing the rear of the vehicle to the (2) original seat mounting holes in the bottom of the tub using (2) 7/16 x 1 ¼" Bolts and (2) 7/16" Washers. (See Figure 1, Step 4) **NOTE: Drawer Part # 021 is shown in the illustration; in Drawer Part # 130 these holes are located toward the center bottom of the enclosure.**
9. Mount the end of the drawer with the (2) Tuffy mounting brackets and the original seat brackets on the bottom of the seat to the (2) original seat mounting holes in the bottom of the tub using (2) 7/16 x 3" Bolts and (2) 7/16" Washers. (See Figure 1, Step 5)
10. Secure the (3) Seat belt harnesses to the three mounting holes in the bracket on the drawer enclosure using the (3) original seat belt mounting bolts, (3) 7/16" Nylock nuts, and (3) 7/16" Washers. (See Figure 1, Step 6) **NOTE: Drawer Part # 021 is shown in the illustration; in Drawer Part # 130 these holes are located toward the center top of the enclosure.**
11. Plug all unused holes with the black hole-plugs provided.
12. Insert the drawer into the enclosure and check the slide and lock operation.

MOUNTING INSTRUCTIONS FOR DRAWER OPENING TOWARD THE FRONT OF THE VEHICLE

(This section of the instructions only apply to Drawer Part # 021)

In some cases the front seats and console will have to be removed to insert the drawer after the drawer enclosure has been mounted.

1. Please read the entire assembly instructions and check all included parts before beginning the installation.
2. Check the drawer and lock operation.
3. Remove the rear seat, remove the (2) original front mounting bracket from the bottom of the rear seat. Save all these parts and their mounting hardware you will reuse some of them.
4. Remove the drawer from the drawer enclosure. To do this fully open the drawer until it stops. Press the black lever on the right drawer slide down while also pressing the black lever on the left drawer slide up then pull the drawer free.
5. Attach the (2) Tuffy mounting brackets to the (2) outer most holes in the rear of the drawer enclosure using (2) 3/8 x 5/8" Bolts, (2) 3/8" Washers. (See Figure 2, Step 1)
6. Place the drawer enclosure in the vehicle oriented with the drawer opening toward the front of the vehicle. Line the holes in the (2) Tuffy mounting brackets up with the original seat bracket mounting holes. (See Figure 2, Step 2)

7. Mark the floor of the vehicle under the (2) ½" oval mounting holes in the drawer enclosure. One is located on bottom right side and the other is located on the bottom left side. (See Figure 2, Step 3)

WARNING! Make sure there is nothing under the vehicle that will be damaged by the drill bit when drilling.

8. Remove the drawer and drill out the (2) marked spots on the floor to size ½" holes.
9. Attach the seat to the Drawer enclosure with the original seat bracket mounting bolts. (See Figure 2, Step 4)
10. Place the drawer enclosure with the seat in the vehicle. Secure the holes on the end facing the front of the vehicle with (2) 7/16 x 1 ¼" bolts, (2) 7/16 Nylock nuts, and (4) 7/16 Washers. It is recommended to use silicone sealant in any drilled holes. (See Figure 2, Step 5)
11. Secure the end of the drawer enclosure with the Tuffy mounting brackets and the original seat mounting bracket with the seat belt harnesses down using (2) 7/16 x 3" Bolts and (2) 7/16" Washers to the original seat bracket holes. (See Figure 2, Step 6)
12. Reattach the center seat belt harness to the original center hole in the floor with the original hardware.
13. Plug all unused holes with the black hole-plugs provided.
14. Insert the drawer into the enclosure and check the slide and lock operation.

FIGURE 1

Drawer Part # 021 shown, On Drawer Part # 130 some hole locations are different. See notes in instructions.

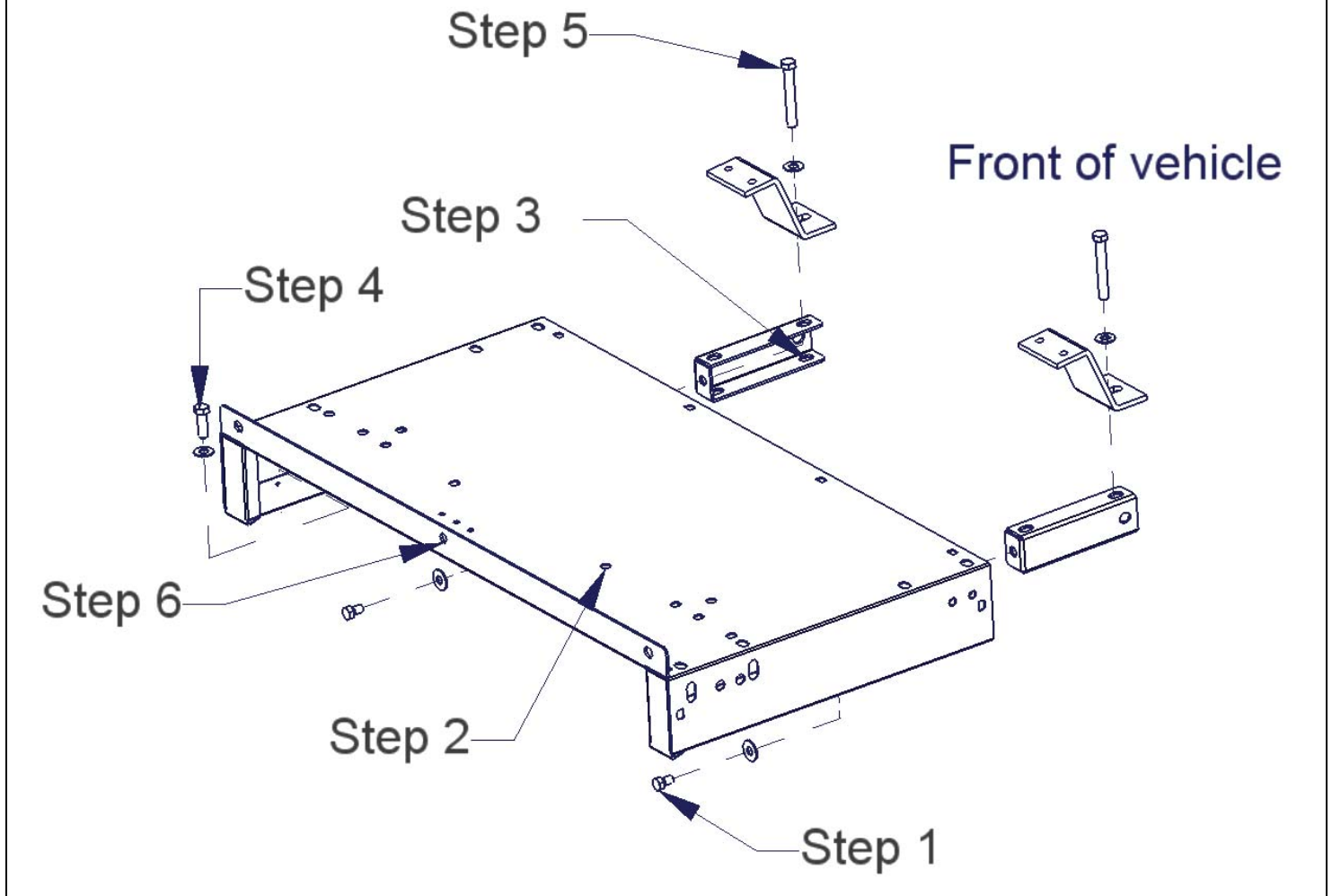
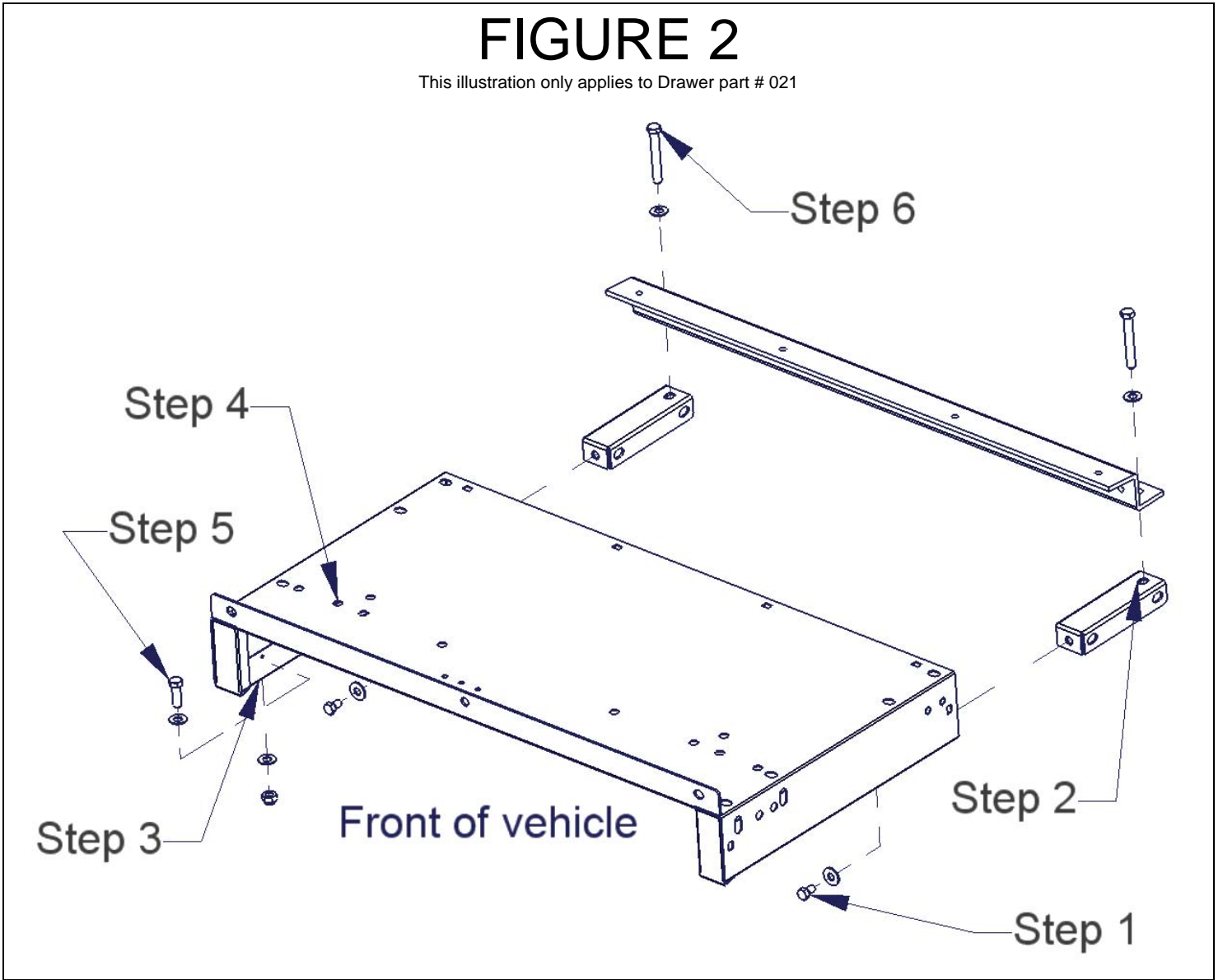


FIGURE 2

This illustration only applies to Drawer part # 021



For technical support call 970-564-1762