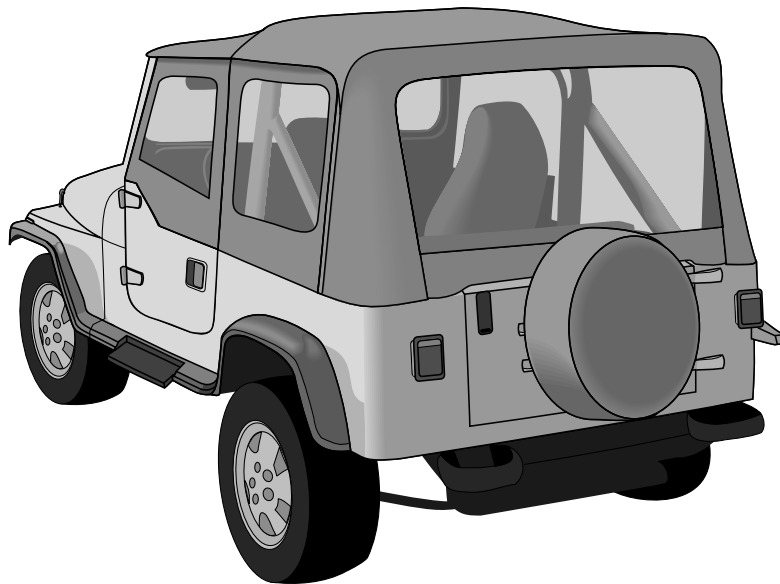




Replay Fabric Replacement Top Installation Instructions

For: Wrangler/YJ '88 - '95

Part Number: 51130



WARNING

This product is designed to enhance the appearance of the vehicle and to shield the occupants from ordinary weather conditions. The safety characteristics of this product are extremely limited. Do not rely in any way on the components of this product to contain occupants within the vehicle, or to protect against injury or death in the event of an accident. This top will not protect the occupants from falling objects. Never operate vehicle in excess of manufacturer's specifications.

WEAR SEAT BELTS AT ALL TIMES

Read and follow, precisely, all installation instructions provided when installing top. Failure to do so may result in a poor fitting top and could place occupants of the vehicle in a potentially dangerous situation.

Installation Tips

Before you begin installing this Replay Top assembly, read all instructions thoroughly. Below are a few tips to make this installation easier. After completing the installation, keep these instructions for further reference.

For a smooth fit:

For ease in installation, the Replay Top should be installed at temperatures above 72° F. Below this temperature, the fabric may contract an inch or more, making it difficult to fit to the vehicle.

It is normal for the fabric to contract and wrinkle when stored in the shipping carton. Within a few days after the installation, the fabric will relax and the wrinkles will disappear.

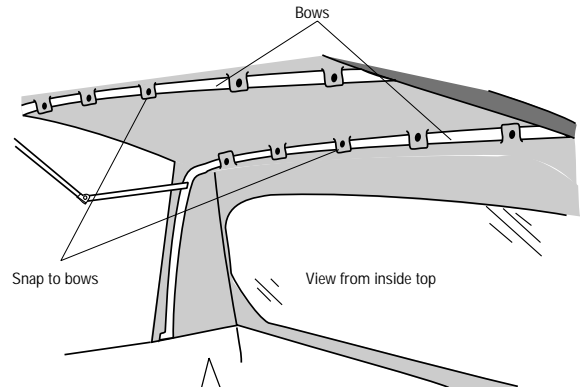
Parts Kit

Top Fabric Assembly	Qty - 1
Quarter Window, Right	Qty - 1
Quarter Window, Left	Qty - 1
Rear Curtain (Window)	Qty - 1
Door Assembly, Rt.	Qty - 1
Door Assembly, Lt.	Qty - 1

Note: Before beginning this installation, remove the old top and make sure all hardware is in place and that the Drip Rails are locked into the Windshield Frame.

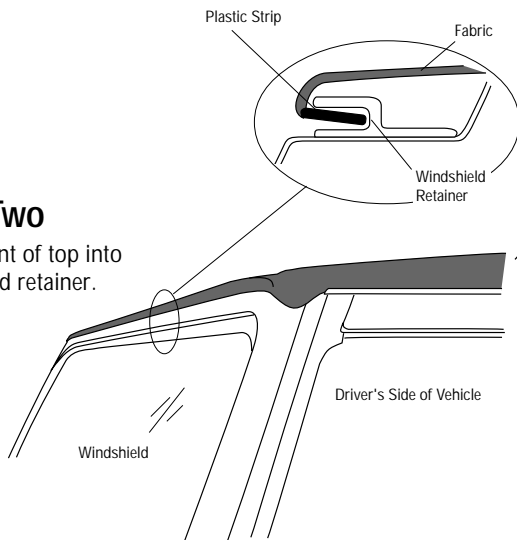
Step One

Locate the top and orient it on the vehicle. Snap it to the bows.



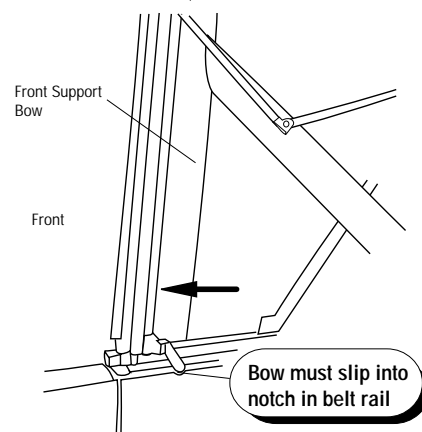
Step Two

Insert front of top into windshield retainer.



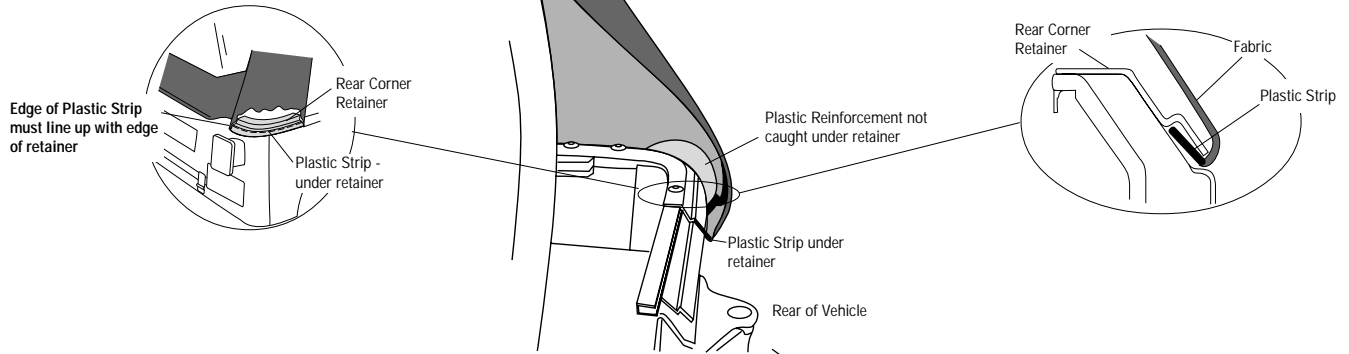
Step Three

Push front support bow all the way forward.



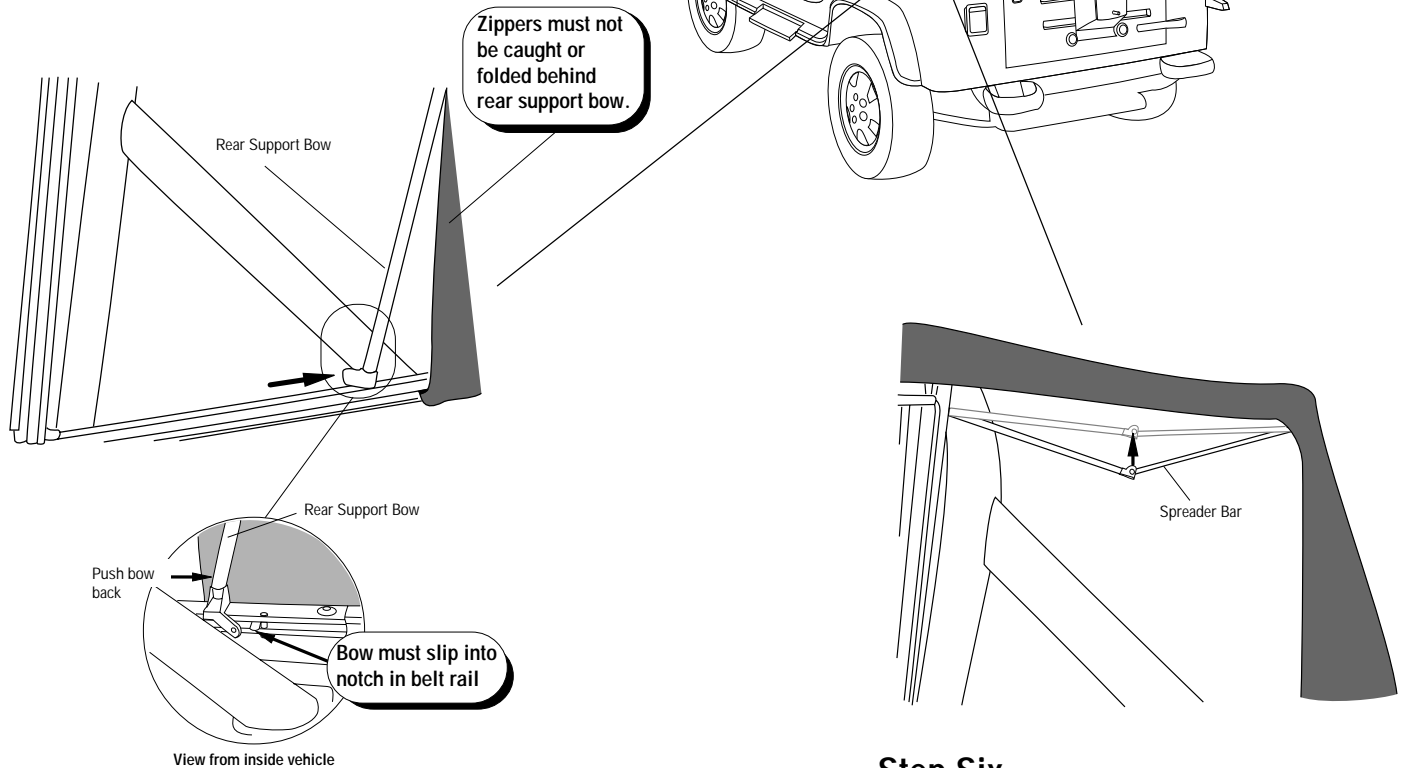
Step Four

Insert rear corners of top into rear corner retainer.



Step Five

Pull the bottom of the rear support bow back until it snaps into the notch in the side rail.

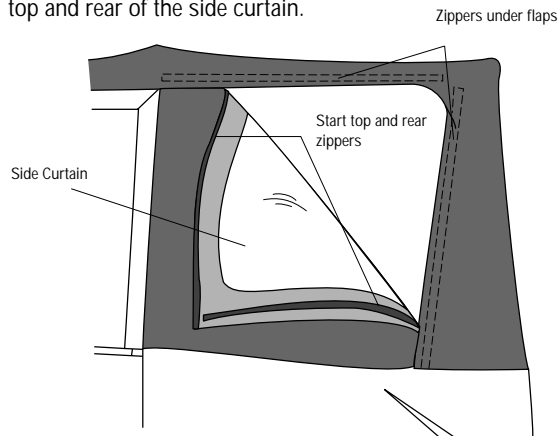


Step Six

Push the spreader bars up until they snap into place.

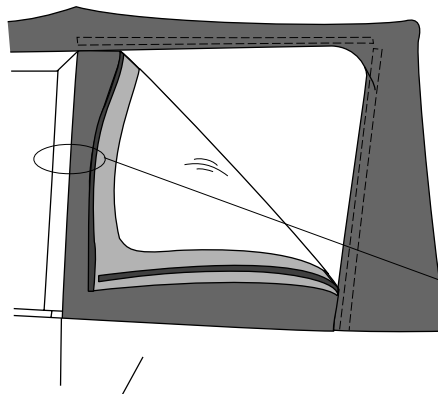
Step Seven

Start the zippers 2-3 inches on the top and rear of the side curtain.

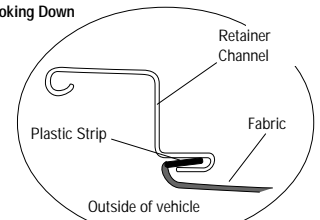


Step Eight

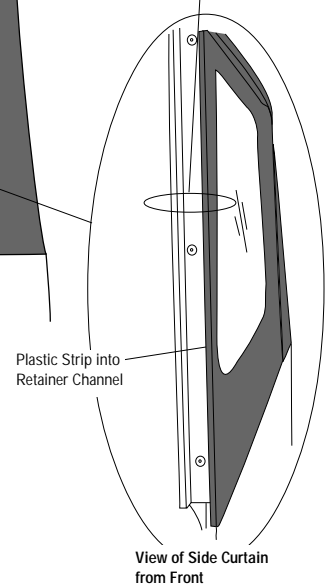
Pop the plastic strip on the front of the side curtain into the retainer channel on the front support bow.



Cross Section View Looking Down

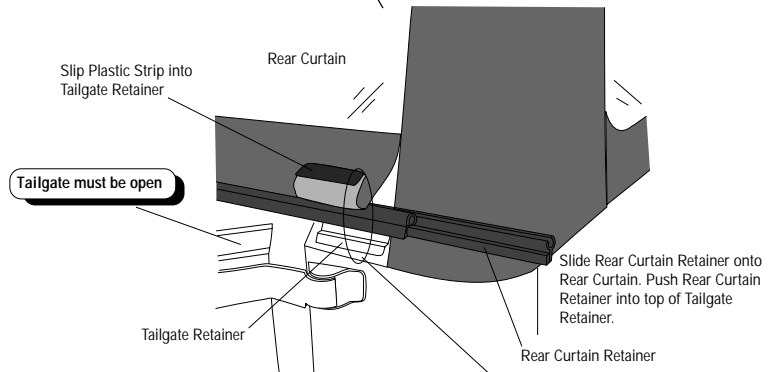
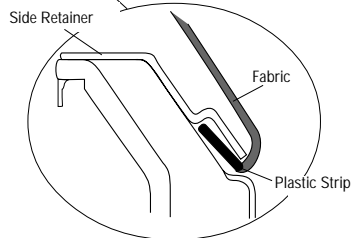
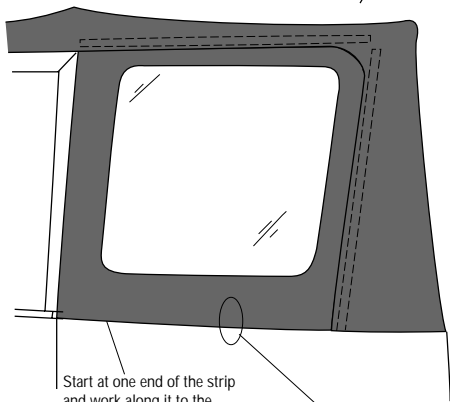


Outside of vehicle



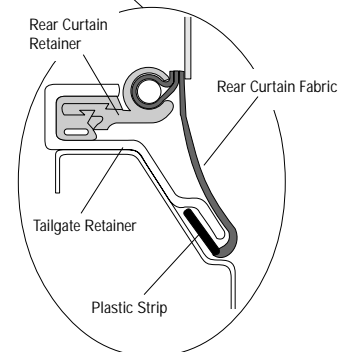
Step Nine

Slip the plastic strip on the bottom of the side curtain into the side retainer. Close the top and rear zippers on the side curtain.



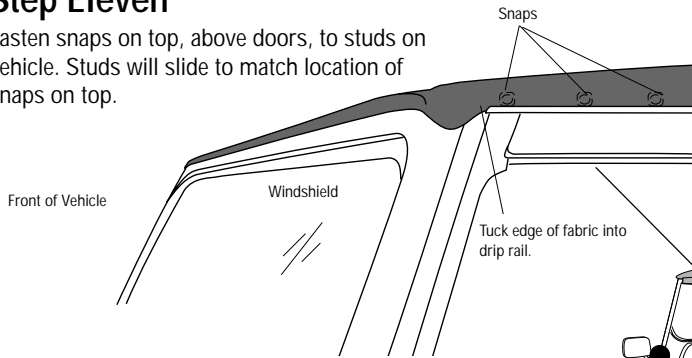
Step Ten

Open the tailgate. Slide the rear curtain retainer onto the bottom of the rear curtain. Close the rear curtain zippers. Push the rear curtain retainer into the top of the tailgate retainer. Slip the plastic on the bottom of the corners under the bottom of the tailgate retainer.



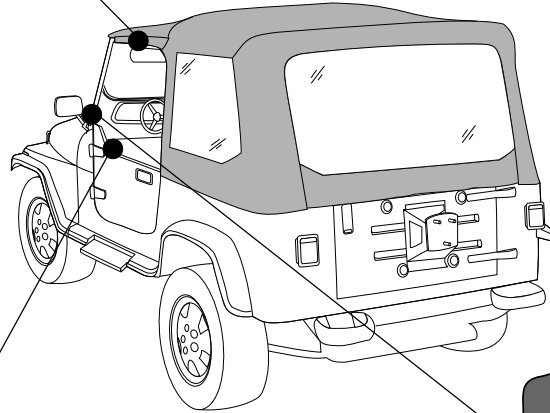
Step Eleven

Fasten snaps on top, above doors, to studs on vehicle. Studs will slide to match location of snaps on top.



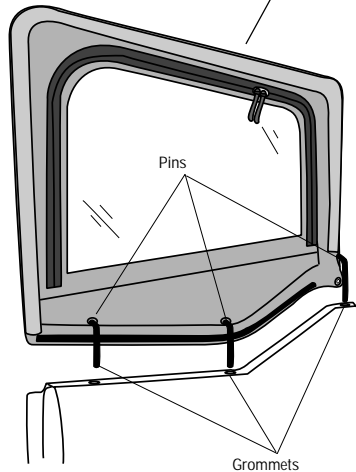
Step Twelve

Unfasten the plastic retainer at the bottom of the fabric door and remove it from the vehicle. Use a razor knife to cut the stitches on the old door covers and remove them from the door frames.



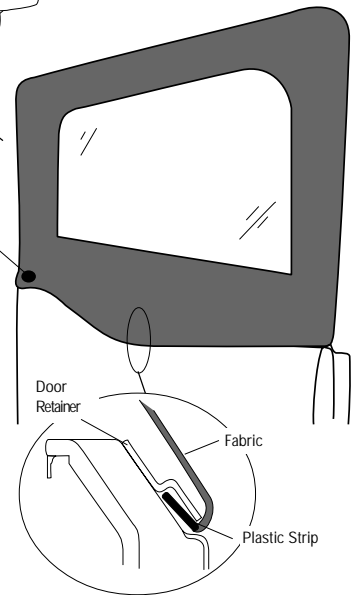
Step Thirteen

Separate the hook and loop fasteners on the door covers and slide the new cover onto the frame, starting at the top. Work from corner to corner, wrapping the fabric around the frame and fastening the hook to the loop as you work around the door.



Step Fourteen

Reinstall the upper doors. Insert the pins into the grommets in the lower door.



Step Fifteen

Fasten the snap at front of upper door. Slip plastic strip on the bottom of the soft door into the retainer on the steel door.

LIMITED WARRANTY

We warrant our product to be free from defects in material and workmanship, for the terms specified below, provided there has been normal use and proper maintenance. This warranty applies to the original purchaser only. All remedies under this warranty are limited to the repair or replacement of any item or items found by the factory to be defective within the time period specified.

If you have a warranty claim, first you must call our factory at the number below for instructions. You must retain proof of purchase and submit a copy with any items returned for warranty work. Upon completion of warranty work, if any, we will return the repaired or replaced item or items to you freight prepaid. Damage to our products caused by accidents, fire, vandalism, negligence, misinstallation, misuse, Acts of God, or by defective parts not manufactured by us, is not covered under this warranty.

THE WARRANTY TIME PERIOD IS AS FOLLOWS: ALL "SOFT GOODS" MANUFACTURED BY OUR COMPANY (USING PRIMARILY VINYL, PLASTICS, AND/OR FOAM): ONE YEAR FROM DATE OF PURCHASE.

ANY IMPLIED WARRANTIES OF MERCHANTABILITY AND/OR FITNESS FOR A PARTICULAR PURPOSE CREATED HEREBY ARE LIMITED IN DURATION TO THE SAME DURATION AND SCOPE AS THE EXPRESS WRITTEN WARRANTY. OUR COMPANY SHALL NOT BE LIABLE FOR ANY INCIDENTAL OR CONSEQUENTIAL DAMAGE.

Some states do not allow limitations on how long an implied warranty lasts, or the exclusion or limitation of incidental or consequential damages, so the above limitations or exclusions may not apply to you.

This warranty gives you specific legal rights, and you may also have other rights which vary from state to state.

For further information or request for warranty work, please contact: Customer Service
877 638-9509