



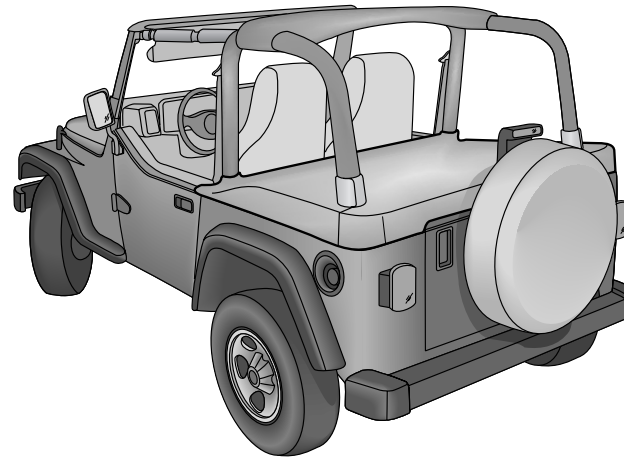
## Duster Installation Instructions

For: 1997 - 2002 Wrangler

Part Number: 90011

DO NOT INSTALL THIS PRODUCT ON ANY VEHICLE OTHER THAN THOSE LISTED ABOVE.

**BESTOP**



### WARNING

This product is designed to enhance the appearance of the vehicle and to shield the occupants from ordinary weather conditions. Do not rely in any way on the components of this product to contain occupants within the vehicle, or to protect against injury or death in the event of an accident. This product will not protect the occupants from falling objects. Never operate vehicle in excess of manufacturer's specifications.

#### WEAR SEAT BELTS AT ALL TIMES

Read and follow, precisely, all installation instructions provided when installing this product. Failure to do so may result in a poor fit and could place occupants of the vehicle in a potentially dangerous situation. Failure to properly install or reinstall this product may cause the product or a component part to come off the vehicle, potentially causing an accident and possible injury to the occupants of the vehicle. After installing or reinstalling the product, check to make sure it has been properly installed.

### Installation Tips

Before you begin installing this product, read all instructions thoroughly. After completing the installation, keep these instructions for further reference. Below are a few tips to make this installation easier.

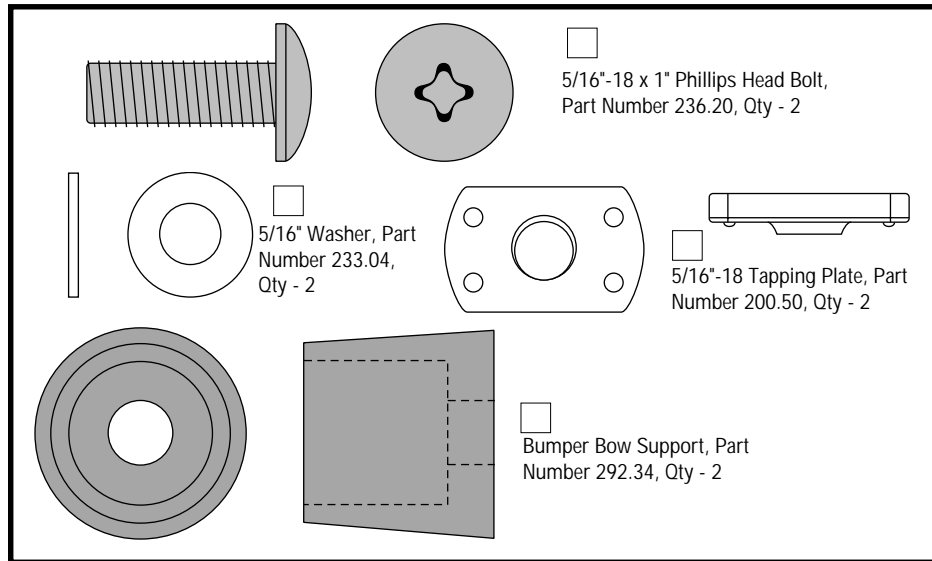
#### For a smooth fit:

For ease in installation, the Duster should be installed at temperatures above 72° F. Below this temperature, the fabric may contract an inch or more, making it difficult to fit to the vehicle.

It is normal for the fabric to contract and wrinkle when stored in the shipping carton. Within a few days after the installation, the fabric will relax and the wrinkles will disappear.

## Parts List and Hardware Identification

Duster Qty - 1



### Tools Needed

Adjustable Wrench  
Phillips Screwdriver  
Safety Glasses



### Caution

Safety glasses should be worn at all times while installing this product.

### Step One

#### REMOVE TOP

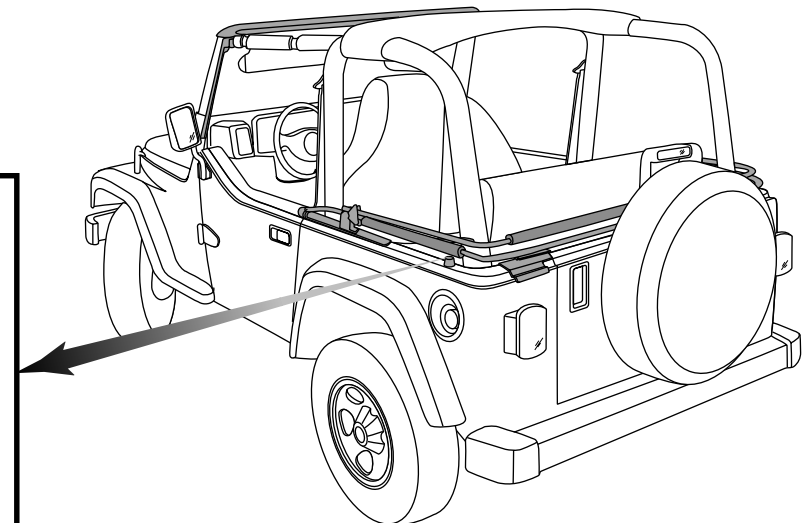
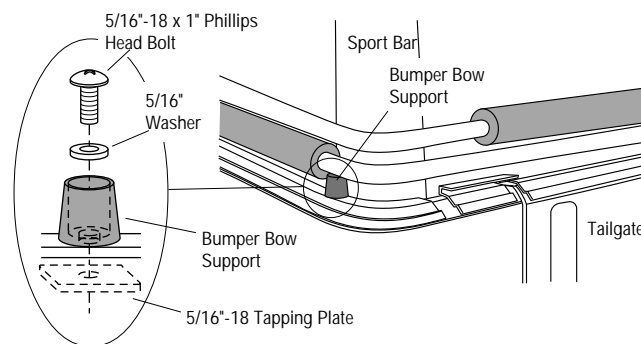
Remove your soft top from the hardware. Fold the top carefully and store it. Store the window assemblies to avoid scratching the glass.

## Duster Installation

### Step Two

#### INSTALL BUMPER BOW SUPPORT

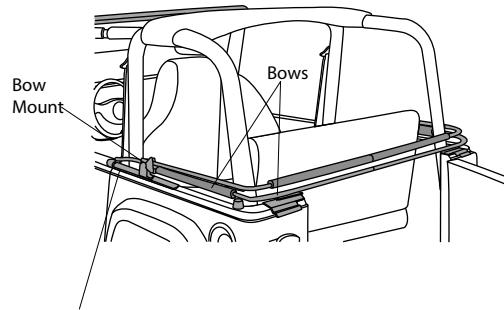
Locate the holes in the belt rail of the vehicle, just in front of the rear corners. Place a 5/16"-18 Tapping Plate under the ledge on the inside of the vehicle and a Bumper Bow Support above the hole. Install a 5/16"-18 x 1" Phillips Head Bolt and a 5/16" Washer through the bumper and into the Tapping Plate. Do this on each side of the vehicle.



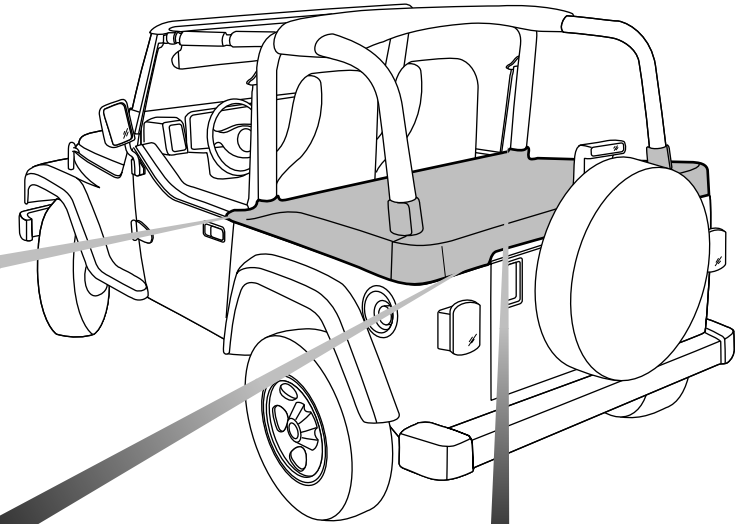
### Step Three

#### LOWER BOWS

Lower the bows and slide them as far forward as possible. The ends of the bottom bow should slide inside the Bow Mounts. This is necessary for the Duster to fit properly.



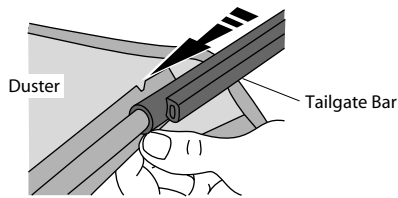
Slide Bow Ends as far forward as possible



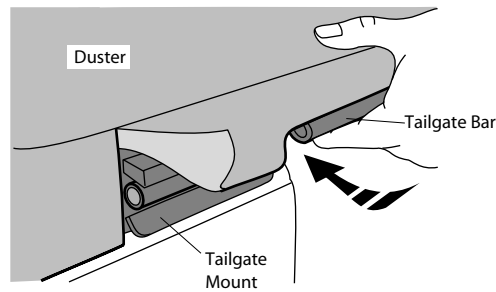
### Step Four

#### INSTALL DUSTER ON TAILGATE BAR

Fold down the rear seat. Orient the Duster on the vehicle. Slide the rear edge of the Duster into the channel on the Tailgate Bar, open the tailgate and push the Tailgate Bar into the Tailgate Mounts on the vehicle.



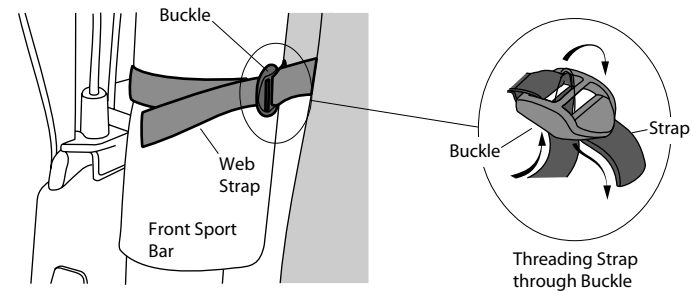
Slide Tailgate Bar onto rear of Duster



### Step Five

#### FASTEN BUCKLE STRAPS

Drape the fabric forward over the rear of the vehicle and locate the web straps with buckles sewn to the front of the Duster. Wrap the straps around the front sport bars and thread the ends loosely through the buckles. Do not pull the straps tight at this time. Tighten the buckle straps on the front of the duster.

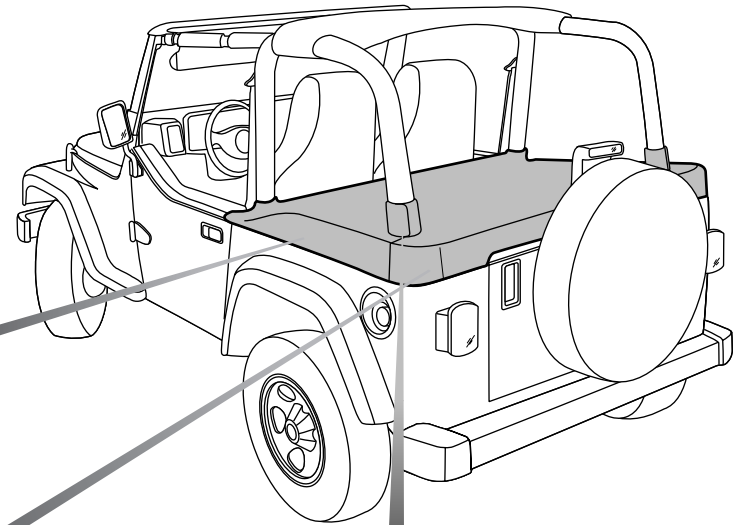
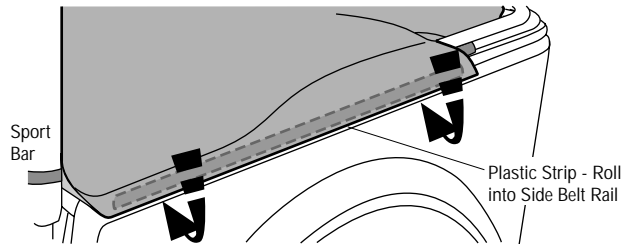


Note: Do not wrap the straps around the seat belt

## Step Six

### INSTALL PLASTIC STRIP INTO SIDE BELT RAILS

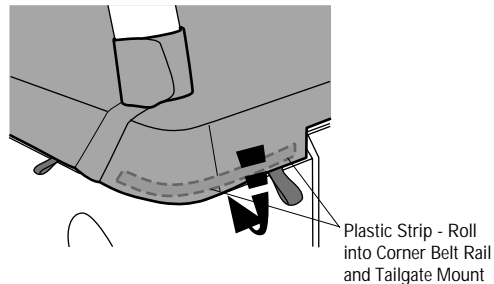
Make sure that the front edge of the Duster covers the front of the Side Belt Rails. Locate the plastic strip sewn into the sides of the Duster. Start at the rear on each side and roll the plastic strip into the Side Belt Rails.



## Step Seven

### INSTALL PLASTIC STRIP INTO CORNER BELT RAILS

Roll the plastic strips sewn into the rear corners of the Duster into the Corner Belt Rails and into the retainer on the Tailgate Mounts. Slide the corner plastic strip toward the front of the vehicle and make sure that the plastic strip fits up into the Belt Rail so that the collar fits properly around the sport bar.



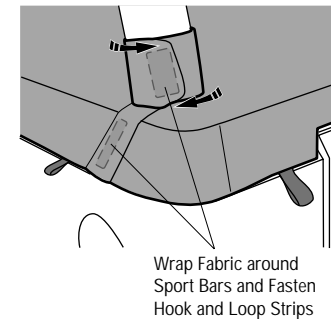
**Note:** The Plastic Protectors sewn into the fabric must be properly located to minimize abrasion between the Duster and the Soft Top Hardware.

## Step Eight

### FASTEN SPORT BAR COLLARS

Tuck the seat belt assemblies into the Sport Bar Collars and close the collars by wrapping the fabric around the sport bars and fastening the Hook and Loop strips to each other.

Tighten the buckle straps on the front of the Duster.





## *Care and Maintenance of your Duster*

Your Duster is made of the finest materials available. To keep it looking new and for the maximum possible wear, it will need periodic cleaning and maintenance.

**Washing:** The fabric should be washed often using soap, warm water and a soft bristle brush. Rinse with clear water to remove all traces of soap.

**Water:** In the event of seeping through the seams, 3M Scotchgard® may be applied on the inside of the seams to stop the seepage. Rips in the fabric may be repaired with Bondex® iron on patches. Iron the patches to the Inside of the fabric, carefully following the Bondex® instructions.

**Snaps:** Keep snaps cleaned and lubricated with silicone sealant to help prevent snaps from sticking to the studs. If a snap does become stuck to a stud, use a screwdriver and GENTLY pry apart to prevent permanent damage to the snap or the fabric.

## **LIMITED WARRANTY**

We warrant our product to be free from defects in material and workmanship, for the terms specified below, provided there has been normal use and proper maintenance. This warranty applies to the original purchaser only. All remedies under this warranty are limited to the repair or replacement of any item or items found by the factory to be defective within the time period specified.

If you have a warranty claim, first you must call our factory at the number below for instructions. You must retain proof of purchase and submit a copy with any items returned for warranty work. Upon completion of warranty work, if any, we will return the repaired or replaced item or items to you freight prepaid. Damage to our products caused by accidents, fire, vandalism, negligence, misinstallation, misuse, Acts of God, or by defective parts not manufactured by us, is not covered under this warranty.

THE WARRANTY TIME PERIOD IS AS FOLLOWS: ALL "SOFT GOODS" MANUFACTURED BY OUR COMPANY (USING PRIMARILY VINYL, PLASTICS, AND/OR FOAM): ONE YEAR FROM DATE OF PURCHASE.

ANY IMPLIED WARRANTIES OF MERCHANTABILITY AND/OR FITNESS FOR A PARTICULAR PURPOSE CREATED HEREBY ARE LIMITED IN DURATION TO THE SAME DURATION AND SCOPE AS THE EXPRESS WRITTEN WARRANTY. OUR COMPANY SHALL NOT BE LIABLE FOR ANY INCIDENTAL OR CONSEQUENTIAL DAMAGE.

Some states do not allow limitations on how long an implied warranty lasts, or the exclusion or limitation of incidental or consequential damages, so the above limitations or exclusions may not apply to you.

This warranty gives you specific legal rights, and you may also have other rights which vary from state to state.

For further information please contact:

Bestop Inc.  
Customer Service  
(800)346-3910  
(303)465-1755

