



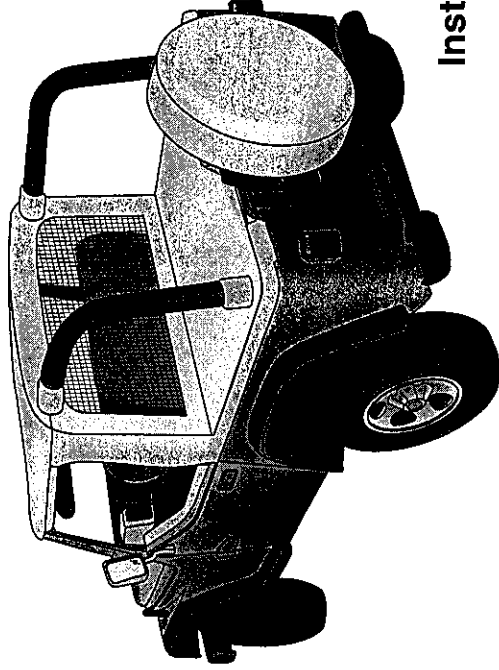
BESTOP

In order to prevent sagging, pooling and leakage, remove snow and water from the rear portion of the Halftop, when applicable.

Halftop Installation Instructions

For: 1992 - 1995 Wrangler Part Number: 53818

DO NOT INSTALL THIS PRODUCT ON ANY VEHICLE OTHER THAN THOSE LISTED ABOVE.



⚠ WARNING

This product is designed to enhance the appearance of the vehicle and to shield the occupants from ordinary weather conditions. Do not rely in any way on the components of this product to contain occupants within the vehicle, or to protect against injury or death in the event of an accident. This product will not protect the occupants from falling objects. Never operate vehicle in excess of manufacturer's specifications.

WEAR SEAT BELTS AT ALL TIMES

Read and follow, precisely, all installation instructions provided when installing this product. Failure to do so may result in a poor fit and could place occupants of the vehicle in a potentially dangerous situation. Failure to properly install or reinstall this product may cause the top or a component part to come off the vehicle, potentially causing an accident and possible injury to the occupants of the vehicle. After installing or reinstalling the top, check to make sure it has been properly installed.

Installation Tips

Before you begin installing this top assembly, read all instructions thoroughly. After completing the installation, keep these instructions for further reference. Below are a few tips to make this installation easier.

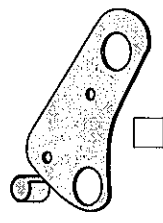
For a smooth fit:

For ease in installation, the top should be installed at temperatures above 72° F. Below this temperature, the top may contract an inch or more, making it difficult to fit to the vehicle.

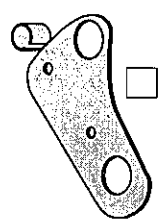
It is normal for a top to contract and wrinkle when stored in the shipping carton. Within a few days after the installation, the top will relax and the wrinkles will disappear.

Parts List and Hardware Identification

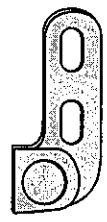
Halftop Fabric Qty - 1



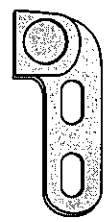
Windshield Bracket - Left, Qty - 1, Part Number 332.01



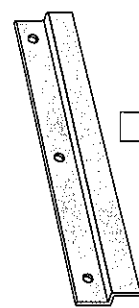
Windshield Bracket - Right, Qty - 1, Part Number 332.02



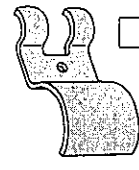
Vertical Retainer Mount, Right, Qty - 1, Part Number 229.24



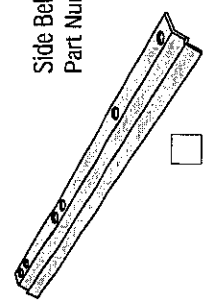
Vertical Retainer Mount, Left, Qty - 1, Part Number 229.25



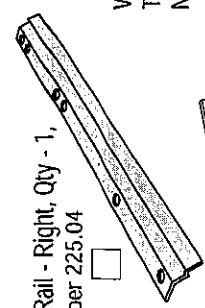
Z Channel, Long, Qty - 1, Part Number 286.53



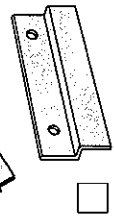
Door Surround Bracket, Qty - 4, Part Number 387.96



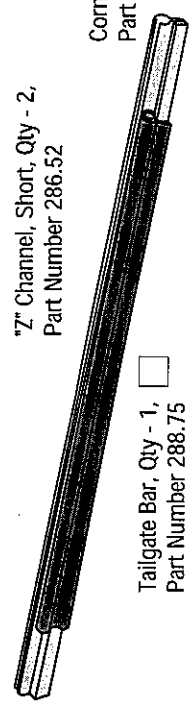
Side Belt Rail - Left, Qty - 1, Part Number 225.05



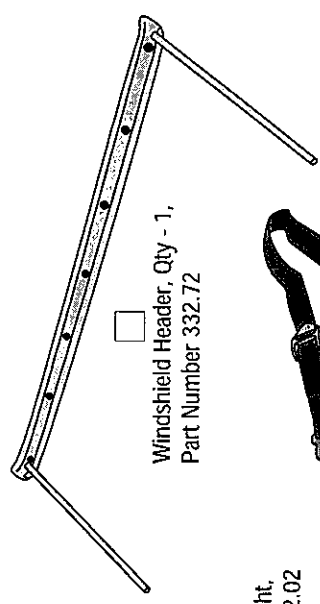
Side Belt Rail - Right, Qty - 1, Part Number 225.04



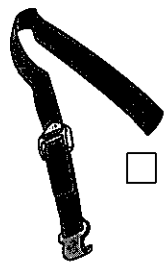
Z Channel, Short, Qty - 2, Part Number 286.52



Tailgate Bar, Qty - 1, Part Number 288.75



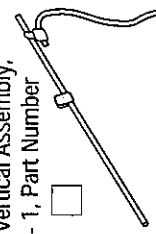
Windshield Header, Qty - 1, Part Number 332.72



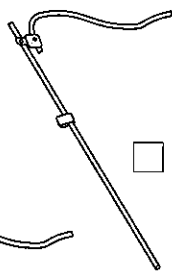
J-Clip Strap, Qty - 1, Part Number 321.71



Windshield Header Latch, Qty - 2, Part Number 326.75



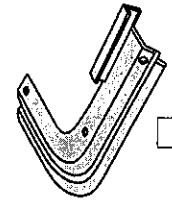
Horizontal/Vertical Assembly, Right, Qty - 1, Part Number 386.54



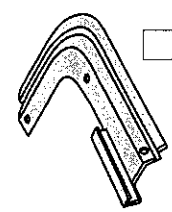
Horizontal/Vertical Assembly, Left, Qty - 1, Part Number 386.53



Windshield Header Trim, Qty - 1, Part Number 330.89



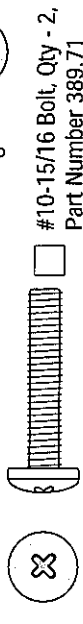
Corner Belt Rail, Left, Qty - 1, Part Number 288.34



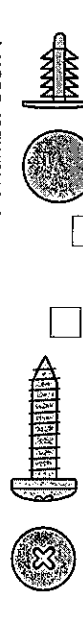
Corner Belt Rail, Right, Qty - 1, Part Number 288.33



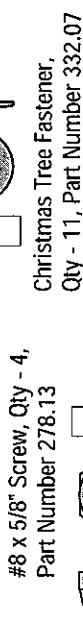
#8 x 1/2" Pan Head Washer Screw, Qty - 2, Part Number 200.48



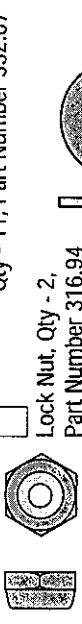
#10-15/16 Bolt, Qty - 2, Part Number 389.71



#8 x 5/8" Screw, Qty - 4, Part Number 278.13



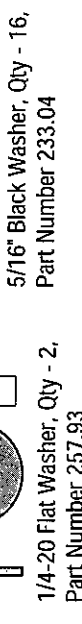
Christmas Tree Fastener, Qty - 11, Part Number 332.07



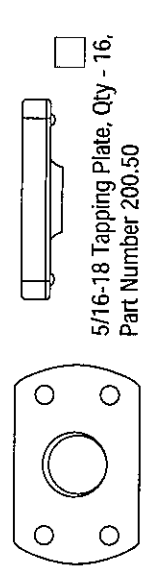
Lock Nut, Qty - 2, Part Number 316.94



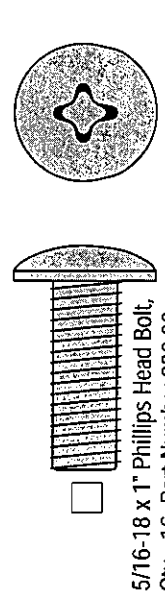
1/4-20 Flat Washer, Qty - 2, Part Number 257.93



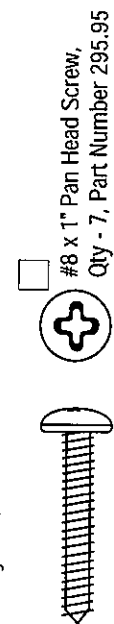
5/16" Black Washer, Qty - 16, Part Number 233.04



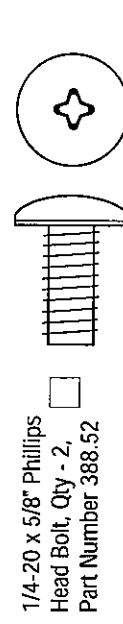
5/16-18 Tapping Plate, Qty - 16, Part Number 200.50



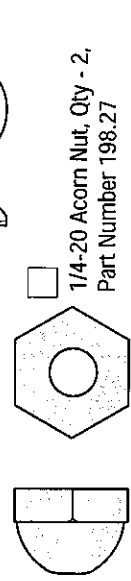
5/16-18 x 1" Phillips Head Bolt, Qty - 16, Part Number 236.20



#8 x 1" Pan Head Screw, Qty - 7, Part Number 295.95



1/4-20 x 5/8" Phillips Head Bolt, Qty - 2, Part Number 388.52



1/4-20 Acorn Nut, Qty - 2, Part Number 198.27

Windshield Adjustment



WARNING

Improper windshield adjustment will result in poor fitting top and doors, causing looseness or undue strain on the top.

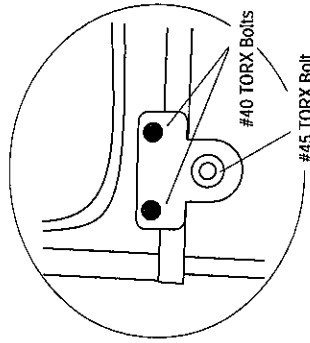
Note: Under most circumstances, the windshield of the Wrangler will not require any adjustment. If your Wrangler windshield should require adjustment, this adjustment should be performed only by an authorized automotive mechanic using a special "Tamper-Proof" Torx head tool.

Windshield Measurement

Before installing the top, check the windshield measurement. The distance from the top lip of the windshield to the top outer edge of the body must be 75 1/8" on both sides of the vehicle. Measure 4"-6" inside the doors.

Windshield Adjustment

If necessary, loosen the #40 TORX bolts in the windshield clamps to loosen the windshield in order to slip the bracket under the horizontal tube.



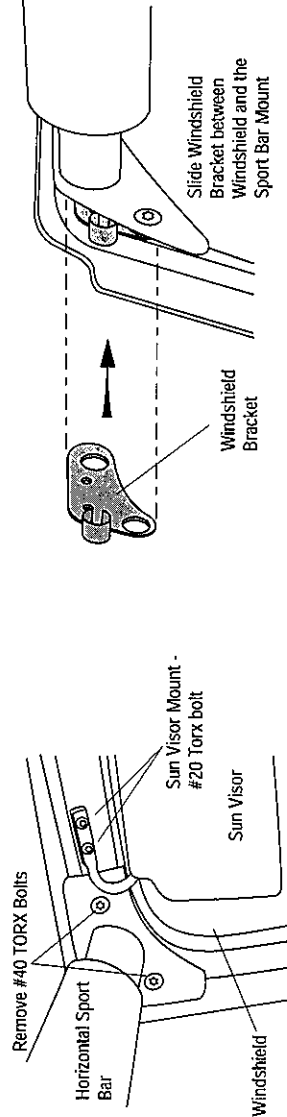
WARNING

Reinstall the bolts that secure the Horizontal Sport Bars to the windshield with a torque of 17.0 ft. lbs. each. If you do not have a torque wrench these bolts should be tested by a qualified mechanic using a torque wrench. Failure to tighten and test the torque of these bolts can result in personal injury or loss of life to the driver and occupants of the vehicle in the event of an accident.

Step One

Use a #20 Torx to remove the outboard sun visor fasteners on both sides of the windshield frame. Remove the two #40 Torx head bolts that secure the horizontal sport bar to the windshield frame. Slide the Windshield Brackets between the windshield and the horizontal sport bar mounts.

Reinstall the Torx head bolts, starting each in the frame with your fingers. After the Torx head bolts are started by hand, tighten with your ratchet and Torx drive tool. Do not lay this tool aside until both bolts are completely tightened. If you tighten one of these bolts and the telephone rings - LET IT RING. NEVER LAY THIS TOOL ASIDE OR INTERRUPT THIS PROCEDURE. This procedure should be followed carefully on both sides of the vehicle. Use the #20 Torx to reinstall the sun visor.



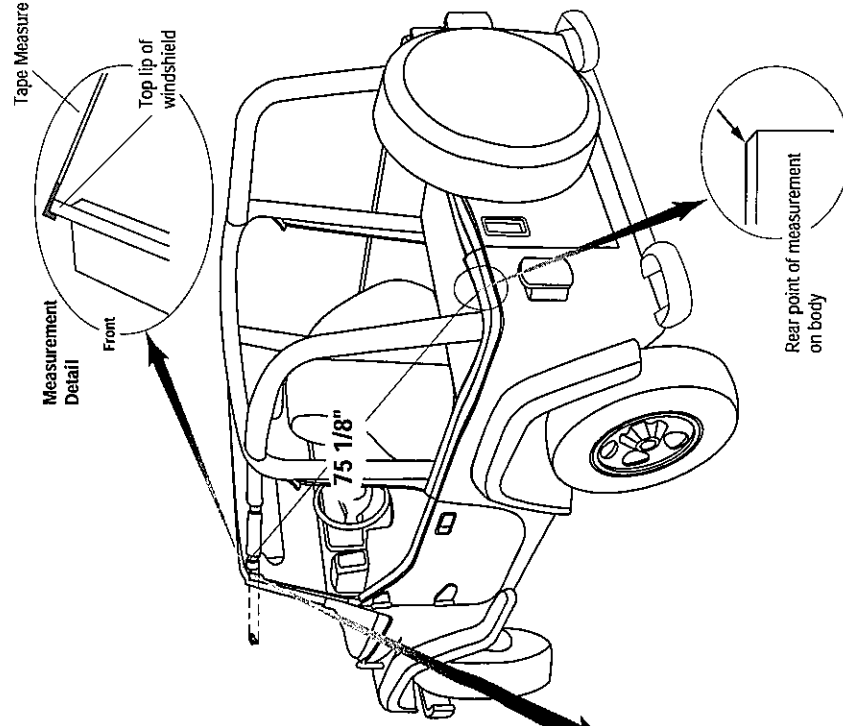
Tools Needed

1/8", 7/32", 3/8" Drill Bits	#20 Torx	Adjustable Wrench
Drill Motor	#45 Torx	10' Tape Measure
Center Punch	Flat Screwdriver	Phillips Screwdriver
Pencil	Phillips Screwdriver	Ratchet
#40 Torx	Hammer	Safety Glasses



Caution

Safety glasses should be worn at all times while installing this product.



Hardware Installation



WARNING

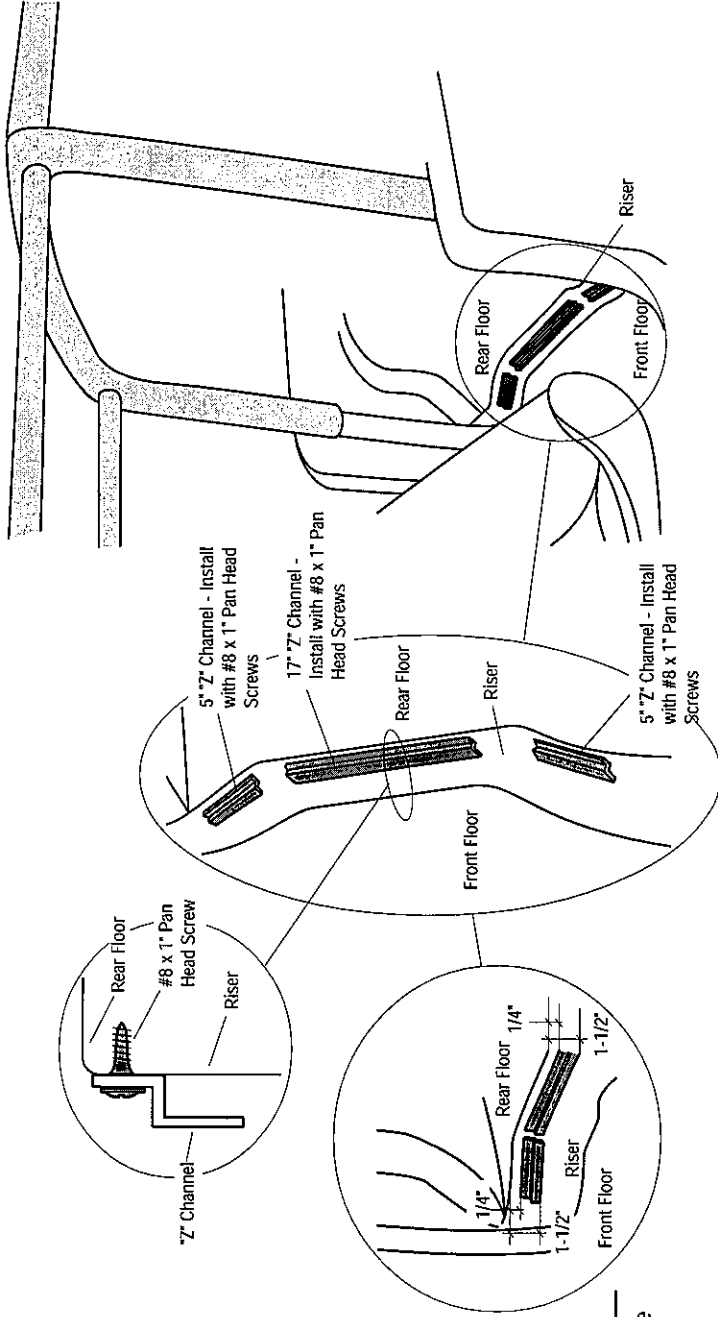
Check for wiring and fuel lines before drilling holes in riser. Do not remove the "Z" Channel from your vehicle once it has been installed. If this is necessary, make sure the screw holes have been covered with a sealer.

Step Two

"Z" CHANNEL INSTALLATION

Fold the front seats forward and locate the three pieces of "Z" Channel in the parts kit. Install the three pieces of "Z" Channel on the vertical face of the riser between the front and rear floors. The 17" piece will be centered in the flat area in the middle of the vehicle. The two 5" pieces will be installed on the sides of the curve. The top edge of all channel pieces should be $1/4$ " below the top of the riser. The bottom edge of the channel should be $1/2$ " down from the top of the riser. Use the holes in the channel pieces as guides to mark, center punch and drill $1/8$ " holes. Install the three pieces of channel using the #8 x 1" Pan Head Screws from the parts kit.

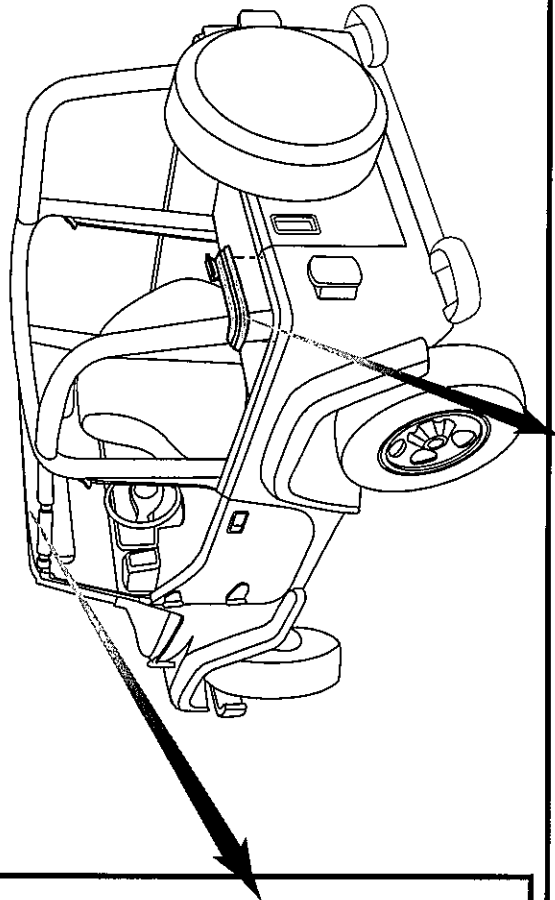
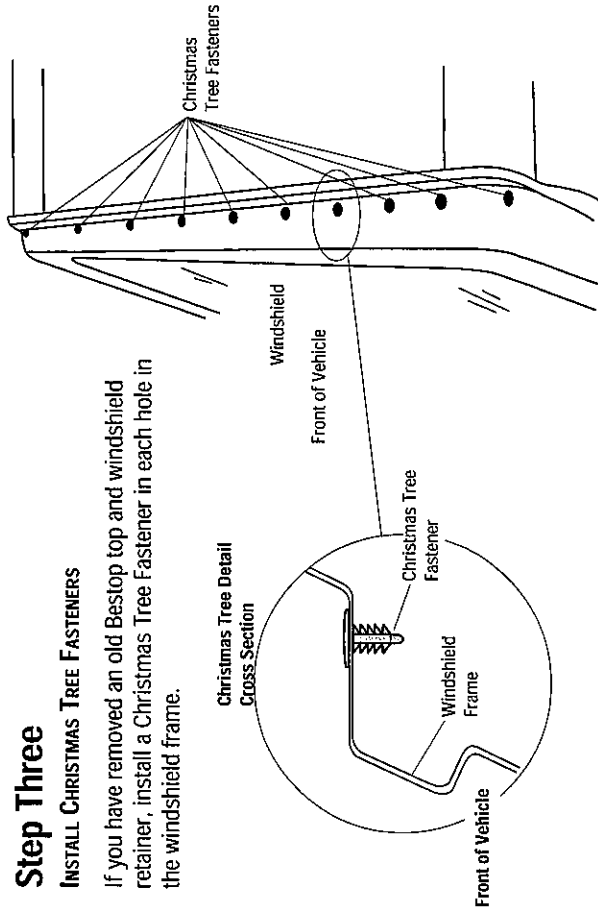
Note: After drilling the holes for the "Z" Channel in the floor riser, put silicone sealer on the holes before installing the channel with the screws.



Step Three

INSTALL CHRISTMAS TREE FASTENERS

If you have removed an old Bestop top and windshield retainer, install a Christmas Tree Fastener in each hole in the windshield frame.



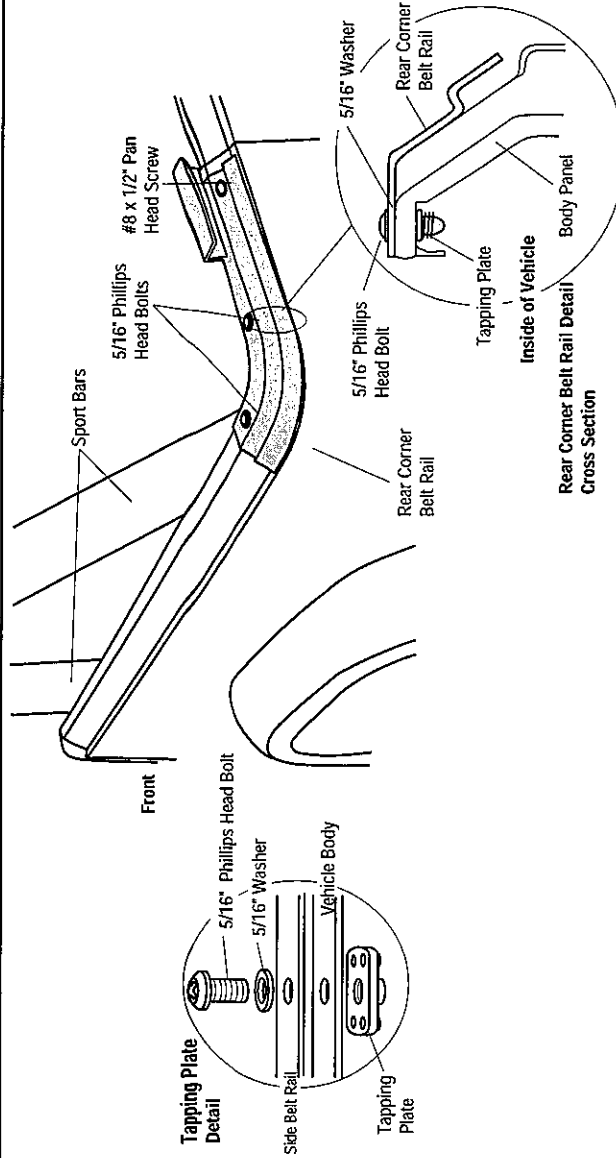
Caution

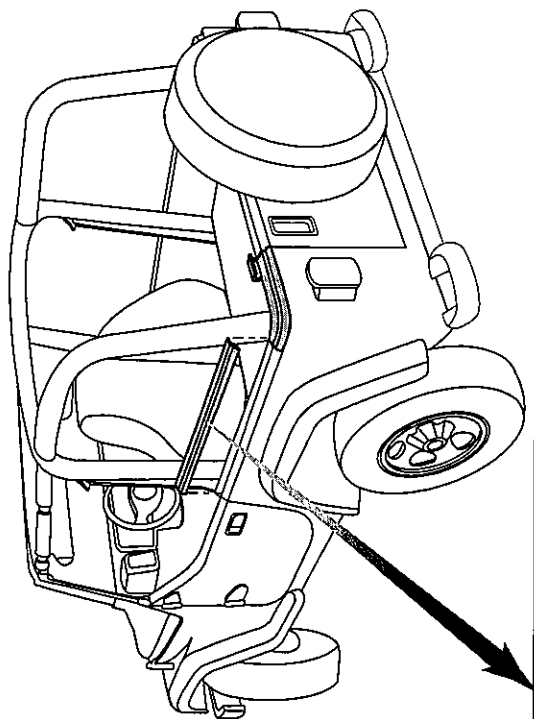
When drilling in the top edge of the vehicle body, check underneath for wiring for the rear lights. Pull the wiring out of the way before drilling.

Step Four

CORNER BELT RAIL INSTALLATION

Install the Left and Right Rear Corner Belt Rails on each side of the vehicle. Use the Corner Belt Rails as templates to mark, center punch and drill two 3/8" holes in the top edge of the vehicle body. Some vehicles may already have some of these holes. Install the Corner Belt Rails with two 5/16" Phillips Head Bolts, two 5/16" Washers and two 5/16" Tapping Plates. At the location of the remaining hole in the Corner Belt Rail, next to the tailgate, mark, center punch and drill a 1/8" hole. Install a #8 x 1/2" Pan Head Screw. Fully tighten the bolts before proceeding.





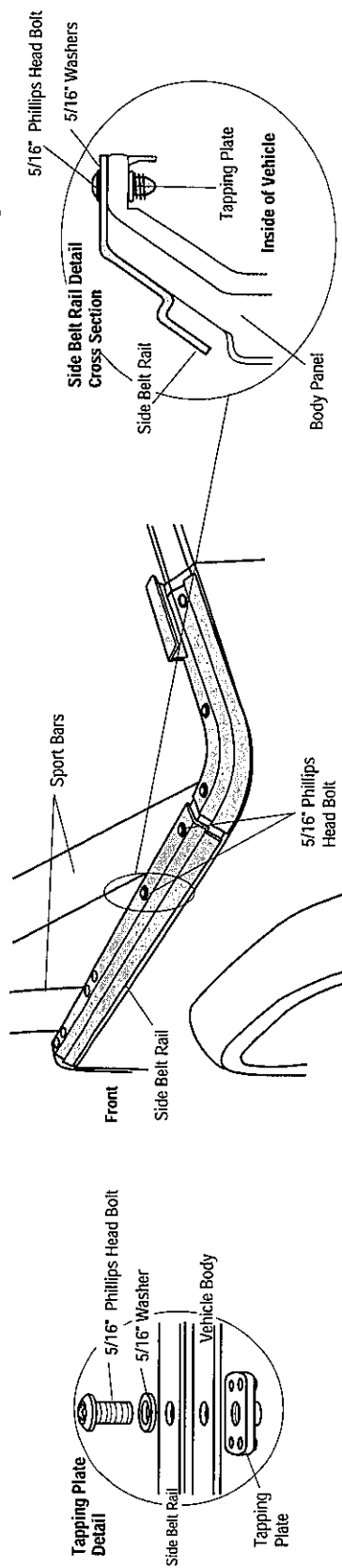
Caution

When drilling in the top edge of the vehicle body, check underneath for wiring for the rear lights. Pull the wiring out of the way before drilling.

Step Five

SIDE BELT RAIL INSTALLATION

Install the Left and Right Side Belt Rails on each side of the vehicle. Notice that the Side Belt Rails do not butt-up against the Corner Belt Rails installed in Step 4, this is normal. Use the Belt Rails as templates to mark, center punch and drill six 3/8" holes along the top edge of the body on each side of the vehicle. Some vehicles may already have four of these holes. Secure the two rear holes in the rails with two 5/16" Phillips Head Bolts, two 5/16" Washers and two 5/16" Tapping Plates. Fully tighten the bolts before proceeding.

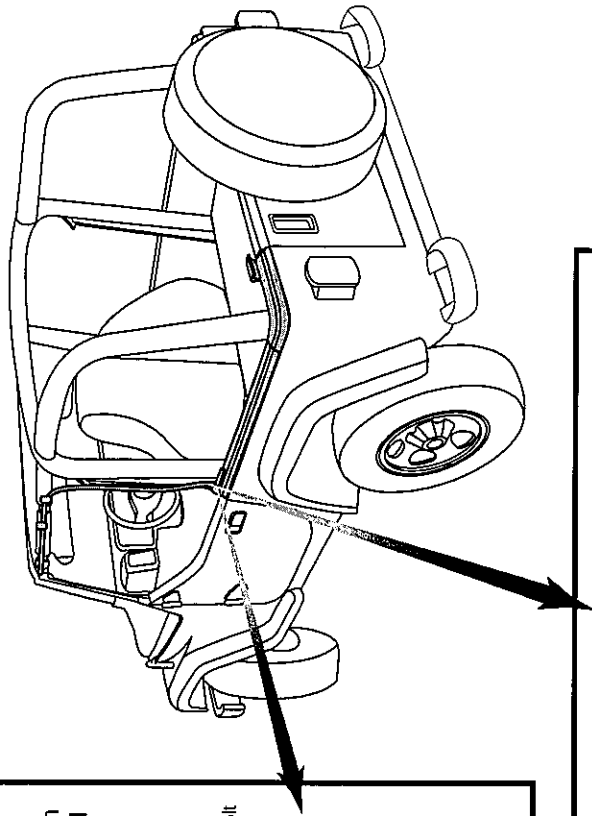
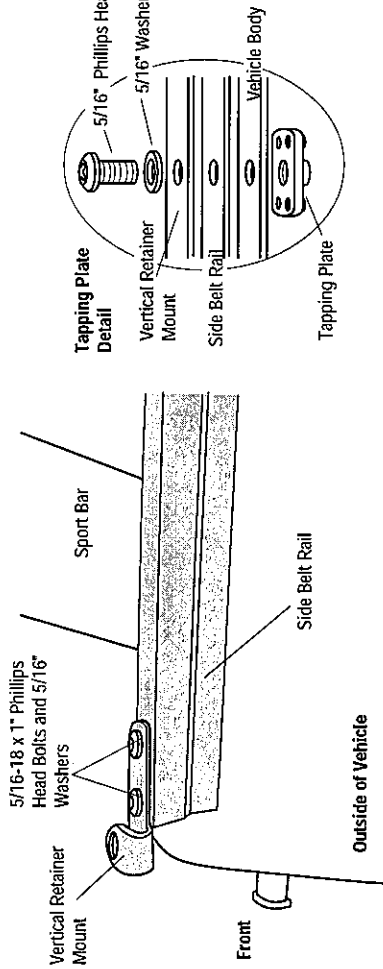


Note: There may be a small gap of +/- 1/4" between the Corner Belt Rails and the Side Belt Rails.

Step Six

VERTICAL RETAINER MOUNT INSTALLATION

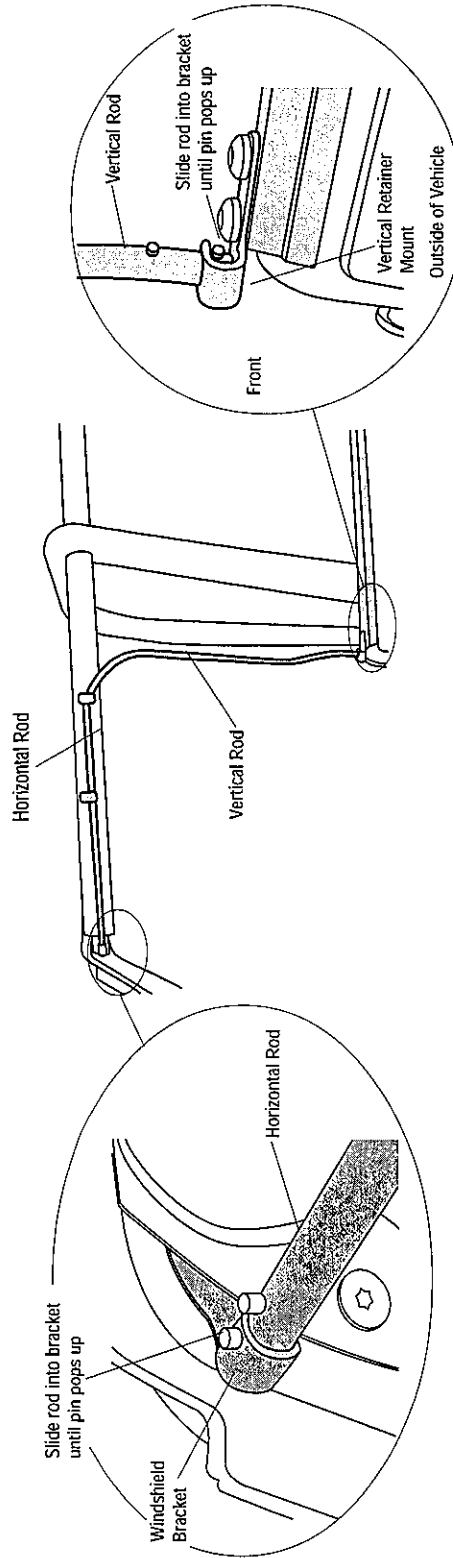
Install the Vertical Retainer Mounts on top of the Side Belt Rails, just behind the door openings. Secure them in place with two 5/16-18 x 1" Phillips Head Bolts, two 5/16" Washers and two 5/16" Tapping Plates. For final door adjustments, see Step 23.



Step Seven

HORIZONTAL/VERTICAL ASSEMBLY INSTALLATION

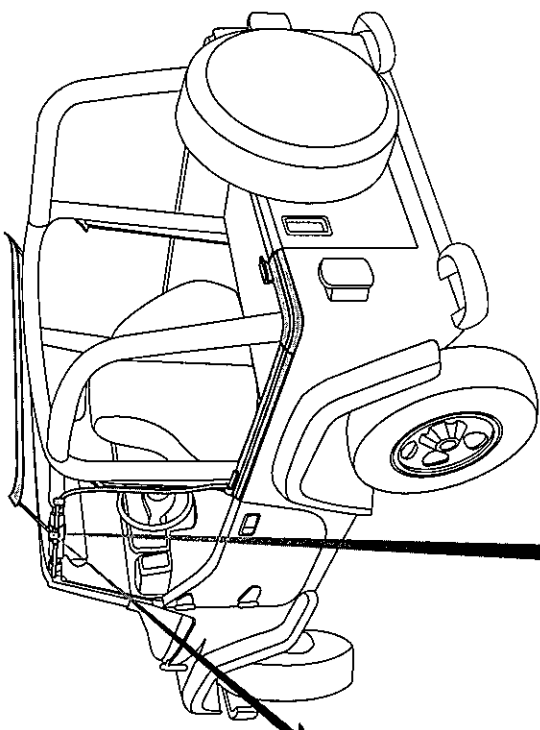
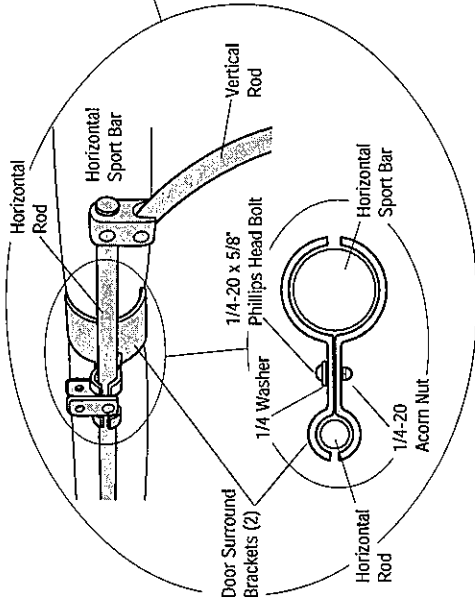
Orient the Left and Right Horizontal/Vertical Assemblies on the vehicle. Insert the Vertical Rods into the hole in the Vertical Retainer Mount until the spring button on the rod pops up through the Vertical Retainer Mount. Slip the end of the Horizontal Rod into the tube on the Windshield Bracket until the spring button on the rod pops up through the Windshield Bracket.



Step Eight

INSTALL DOOR SURROUND BRACKETS

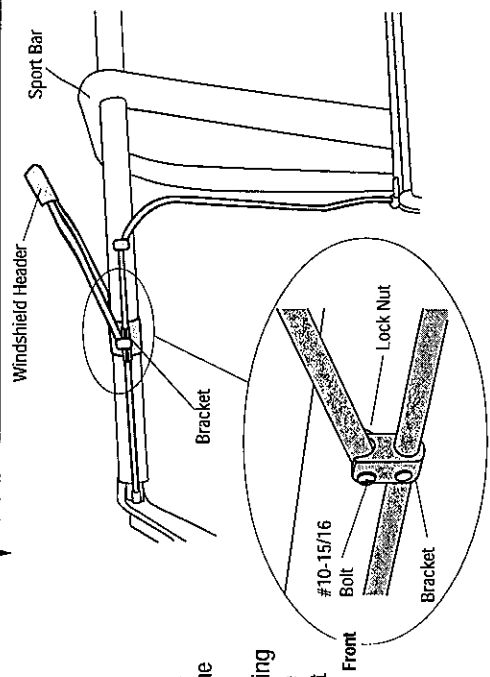
Locate the Door Surround Brackets in the parts kit. Install the brackets as pairs, one pair on each side of the vehicle. Place each pair with the large bend around the horizontal sport bar and the small bend around the horizontal bar of the Horizontal/Vertical Assembly. The cut out in the small bend will fit around the Windshield Header Mount Bracket. Install a 1/4-20 x 5/8" Phillips Head Bolt and a 1/4 Washer from the top with a 1/4-20 Acorn Nut from the bottom. Tighten the brackets securely.



Step Nine

INSTALL WINDSHIELD HEADER

Orient the Windshield Header on the vehicle. Lay the header on top of the sportbar with the snap studs facing up. Place the legs of the header into the bracket above the door opening on each horizontal rod. Install the legs in the brackets with a #10-15/16 Bolt and Lock Nut on each side.



WARNING

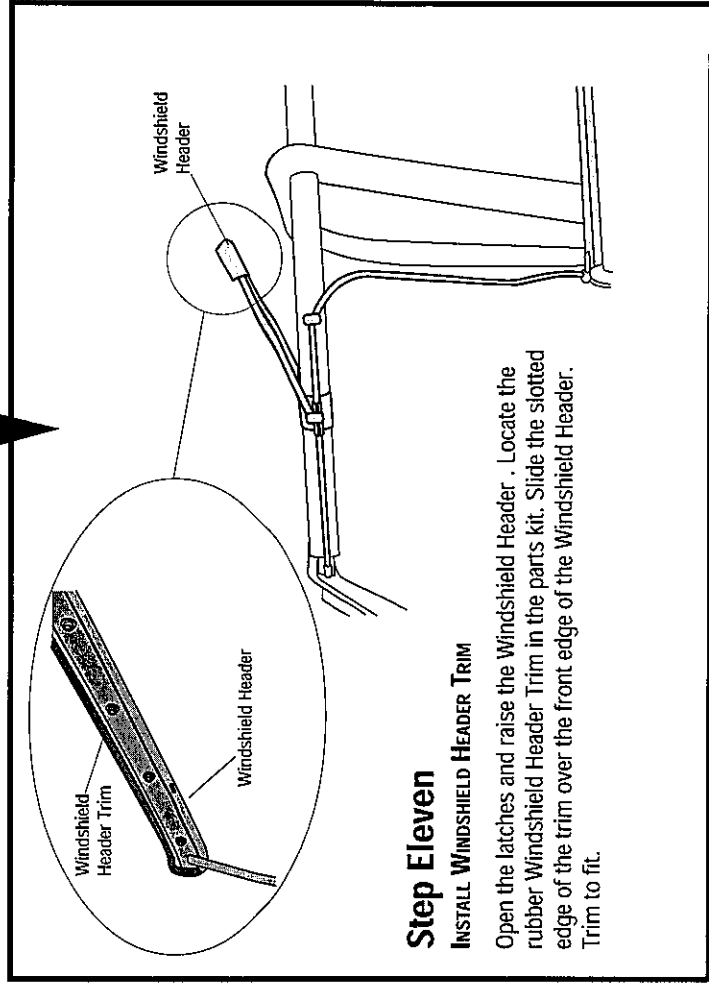
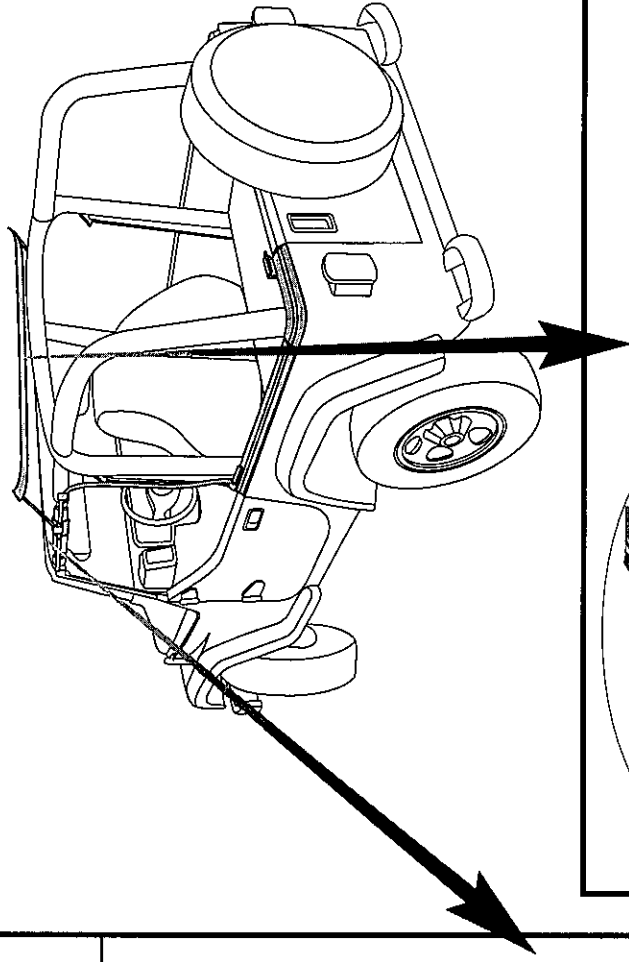
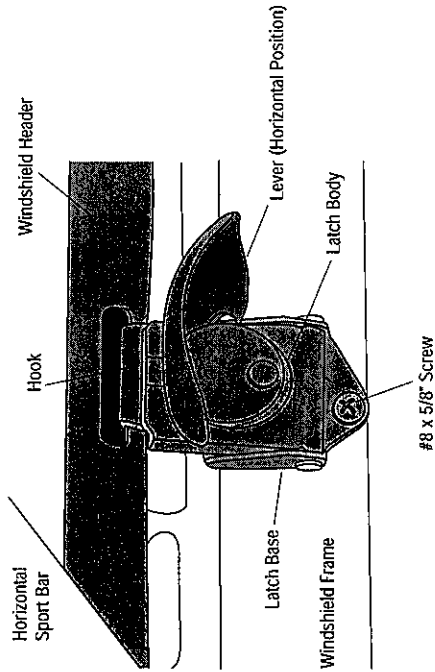
Improper Latch installation will result in a poor fitting Header that could rattle or release under driving conditions.

Step Ten

INSTALL WINDSHIELD HEADER LATCHES

Rotate the Windshield Header down onto the top of the windshield.

Locate the two Windshield Header Latches in the parts kit. Make sure that the latches are in the closed position, with the hook retracted. Hook each latch in the slots in the Windshield Header. Pull Header down flat on the windshield. Pop the lever out into the horizontal position and mark the location of the bottom hole in the latch. Remove the latch from the slot and spring the body of the latch towards you so that it is perpendicular to the base and so that you can access the top mounting hole. Place the latch back in position with the bottom hole over the mark on the windshield and mark the location of the top hole. Remove the latch, center punch the marks and drill two 1/8" holes per latch in the windshield frame. Install each latch with two #8 x 5/8" Screws.



Step Eleven

INSTALL WINDSHIELD HEADER TRIM

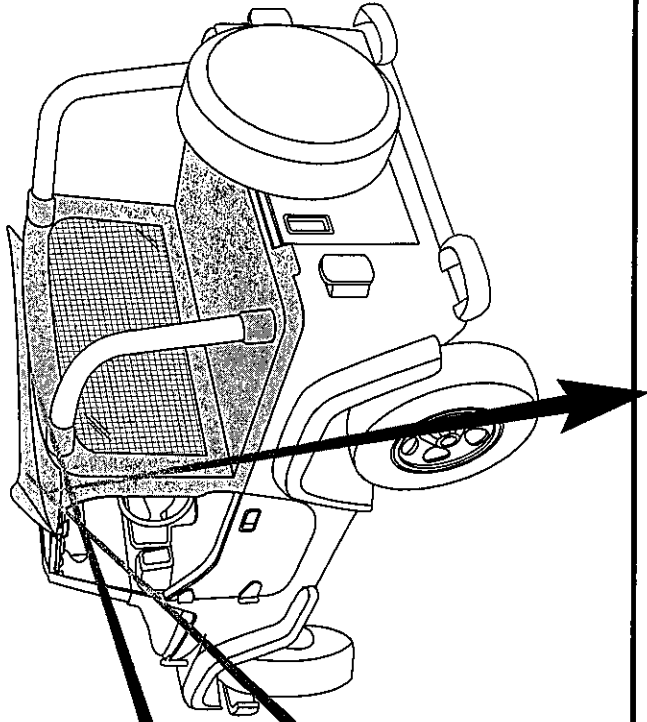
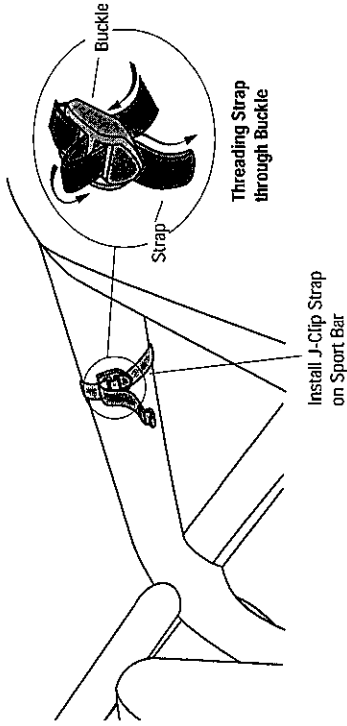
Open the latches and raise the Windshield Header. Locate the rubber Windshield Header Trim in the parts kit. Slide the slotted edge of the trim over the front edge of the Windshield Header. Trim to fit.

Halftop Fabric Installation

Step Twelve

INSTALL J-CLIP STRAP

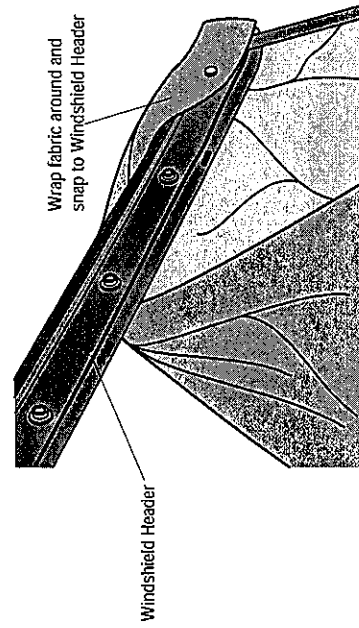
The J-Clip Strap in the parts kit is to secure the fabric when the Sun roof is open. To install the strap, orient it with the plastic J-Clip toward the front of the vehicle and with the clip opening up. Wrap the long end of the strap over the top and around the Sport Bar and thread the end through the buckle sewn to the strap.



Step Thirteen

ATTACH HALFTOP TO WINDSHIELD HEADER

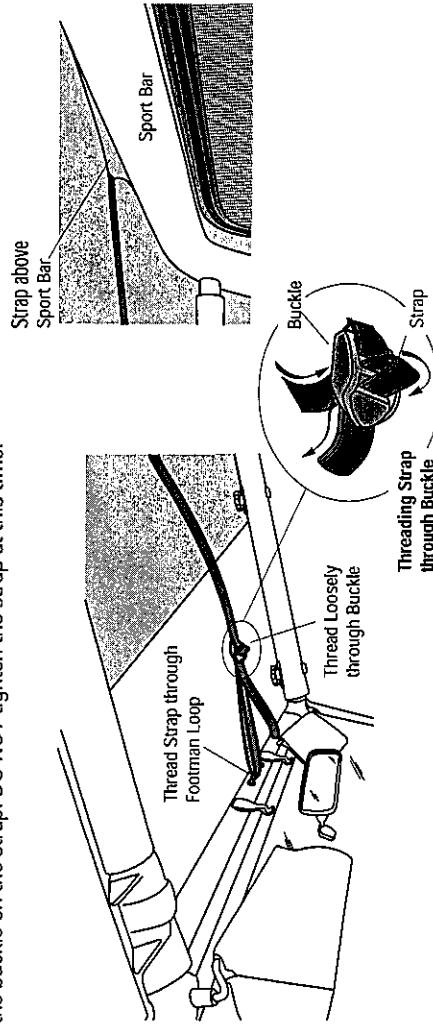
Locate the top and orient it on the vehicle. Drape the top over the bows and wrap the front edge of the fabric around the front edge of the Windshield Header. Snap the fabric to the header.



Step Fourteen

WEB STRAP THROUGH FOOTMAN LOOP

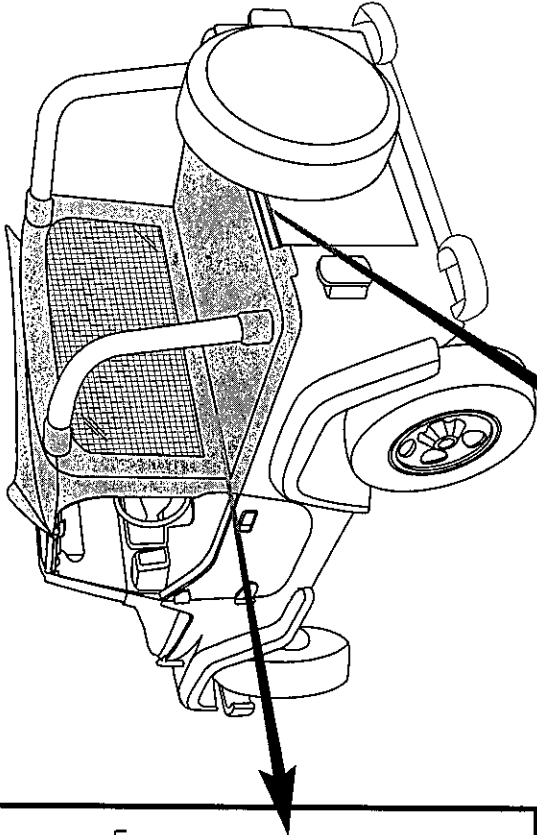
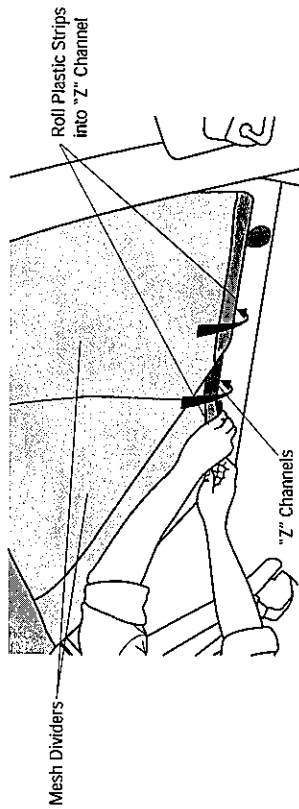
Locate the web strap sewn inside the top. Make sure that it is above the Sport Bar and pull it to the windshield. Thread the end of the strap through the Footman Loop on the windshield frame and then loosely back through the buckle on the strap. DO NOT tighten the strap at this time.



Step Fifteen

SECURE MESH DIVIDER

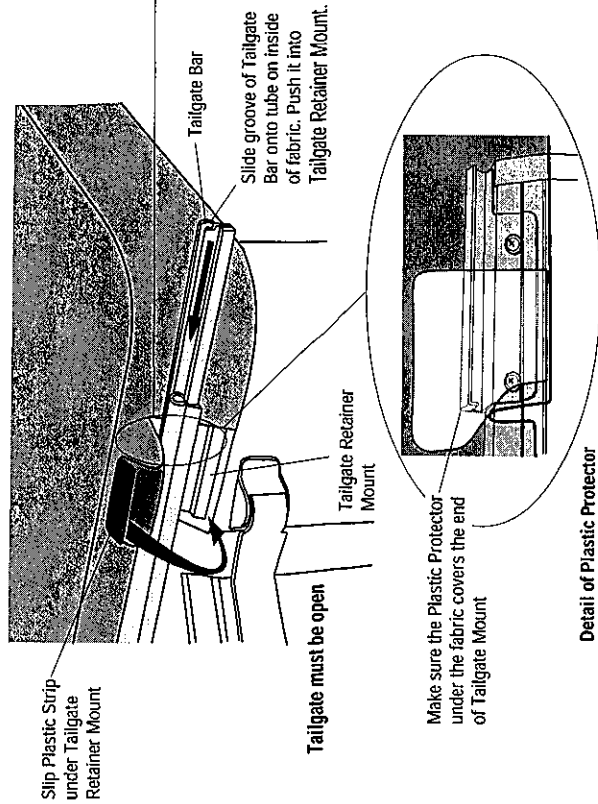
Leave the header back and the strap loose to make installation easier. Locate plastic strips sewn to the bottom of the mesh divider inside the vehicle. Roll the plastic into the "Z" Channel. Rotate the Windshield Header forward and lay it along the top of the windshield frame.



Step Sixteen

INSTALL TAILGATE BAR

Open the tailgate. Orient the Tailgate Bar with the rubber bulb facing down, in order to form a seal with the top of the tailgate. Flip the tube strip sewn to the rear section down and slide it into the groove in the Tailgate Bar. Roll the Tailgate Bar into the top of the Tailgate Retainer Mounts. Slip the plastic on the bottom of the Halftop under the bottom part of the Tailgate Retainer Mounts.



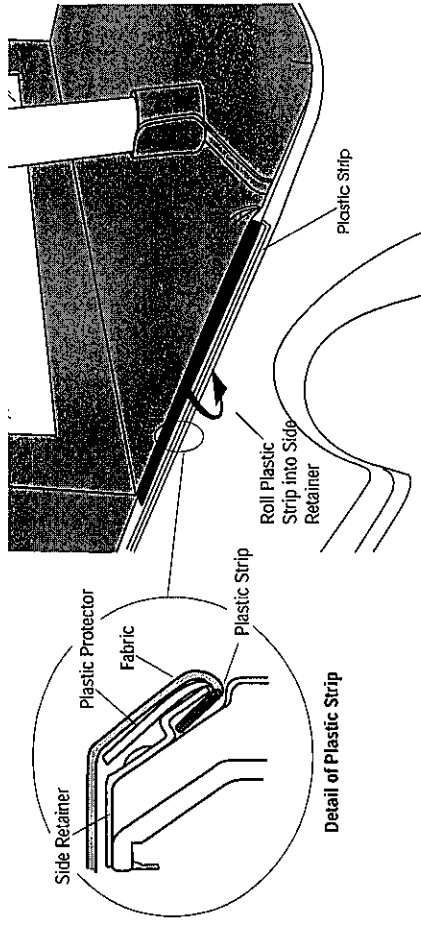
Note: This product is designed for a "Custom Fit". Be patient during the installation, it fits tight!

If you have a Bestop Tire Carrier, skip to Step Eighteen and install the plastic retainer on the passenger side of the vehicle first. Slide the retainer into the retainer mount near the tailgate opening, then slide the retainer into position above the tire carrier mounting bracket. Return to Step Sixteen to continue the installation.

Step Seventeen

INSTALL SIDE RETAINERS

Locate the plastic strip sewn to the Halftop along each side of the vehicle. Start at one end on each side and roll the plastic strip into the Side Retainers. Make sure that the 5/8" web at the front of the plastic retainer is not folded under the retainer.

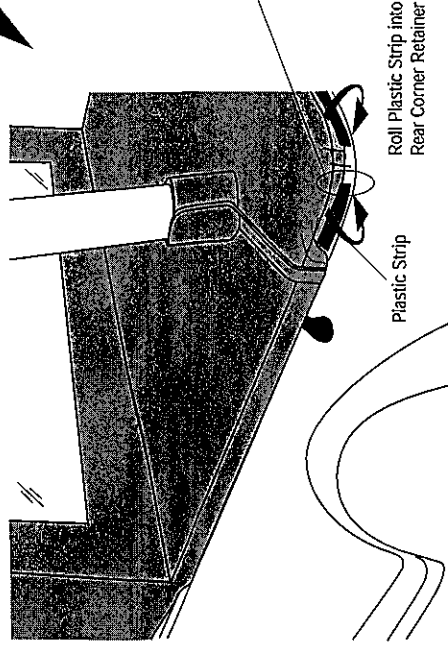


Note: The Plastic Protectors sewn into the fabric must be properly located to minimize abrasion between the Halftop and the Retainer Mount Bolts.

Step Eighteen

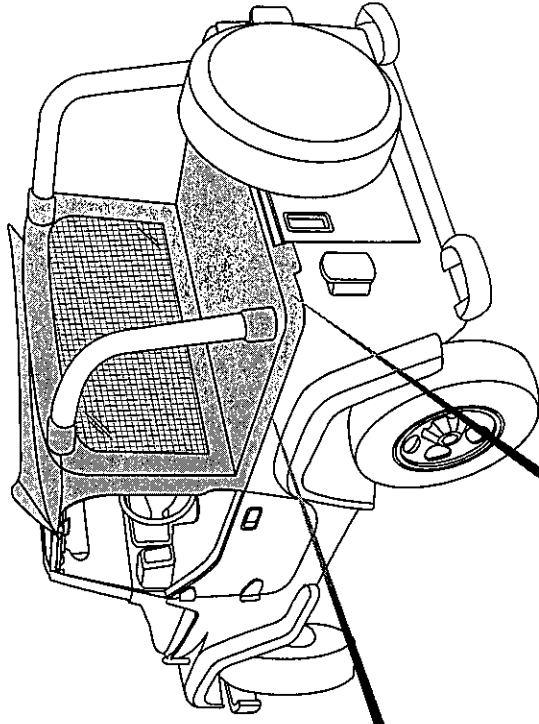
INSTALL REAR CORNERS

Roll the plastic strips, sewn into the rear corners of the Halftop into the Corner Retainers. Slide the corner plastic strip toward the front of the vehicle and make sure that the plastic strip fits up into the retainer so that the collar fits properly.



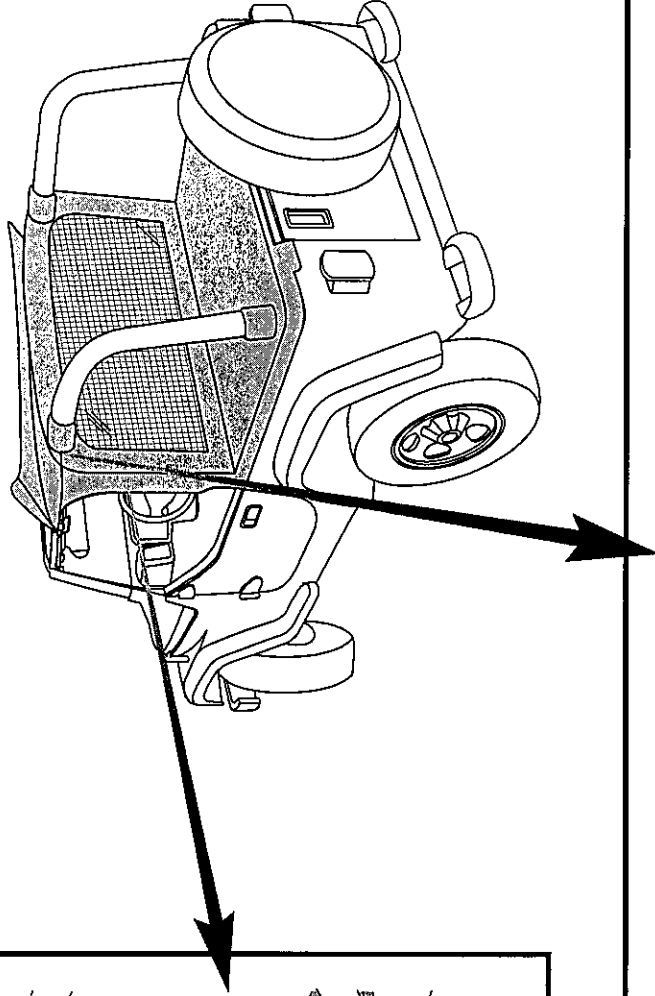
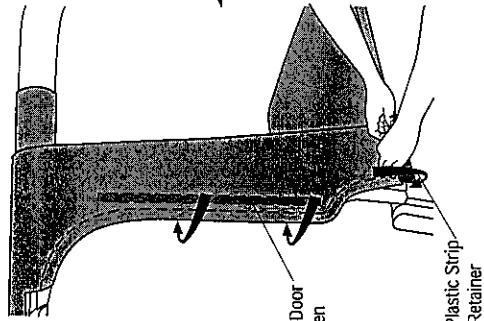
Note: The Plastic Protectors sewn into the fabric must be properly located to minimize abrasion between the Halftop and the Retainer Mount Bolts.

If you have a Bestop Tire Carrier, install the plastic retainer on the passenger side of the vehicle first. Slide the retainer into the tailgate opening, then slide the retainer into position above the tire carrier mounting bracket. Return to Step Sixteen to continue the installation.



Step Nineteen SECURE DOOR OPENING

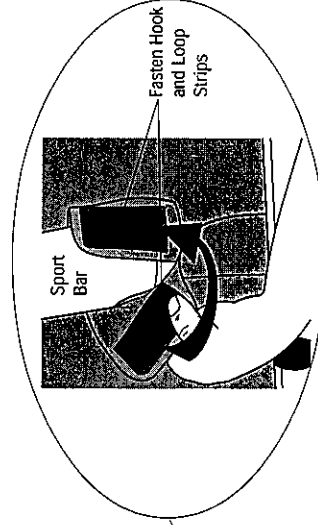
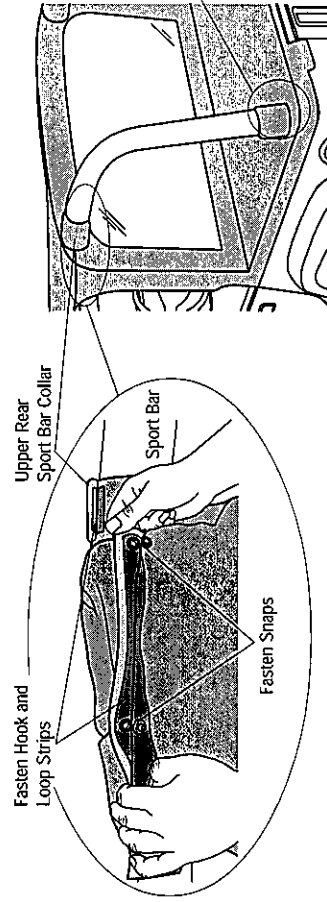
Pull the fabric around the Vertical Rod at the rear of the door opening and fasten the hook and loop strip. Then roll the plastic at the bottom of the panel behind the door into the retainer. Make sure that the fabric is smooth where the retainers meet.



Step Twenty SECURE SPORT BAR COLLARS

Flip the front header and fabric back to reduce the tension on the top. Pull up on the fabric near the upper Sport Bar. If necessary, remove the bottom plastic installed in Step Nineteen to make snapping easier. Snap the snaps behind the door opening and align the Hook and Loop Strips. Fasten the Hook and Loop Strips on the upper sport bar collar. Reinstall the plastic at the bottom of the panel. Lower the front header carefully allowing the hook and loop to pull the top into position.

Tuck the seat belt assemblies into the rear sport bar collars and close them by pulling firmly on the fabric and fastening the Hook and Loop Strips to each other.

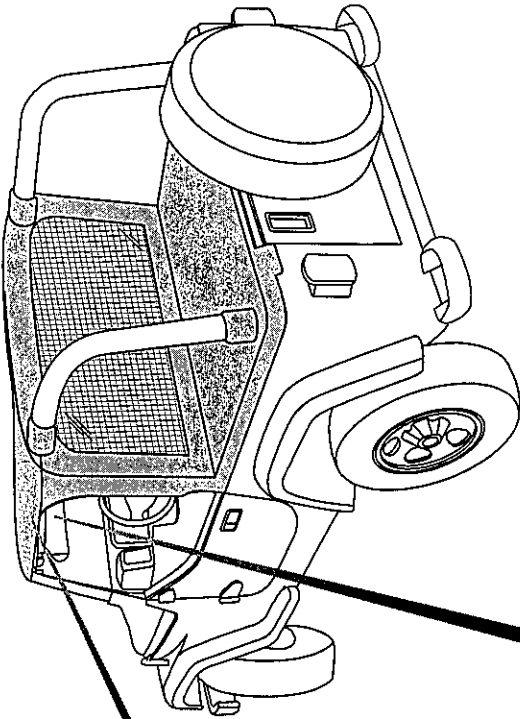
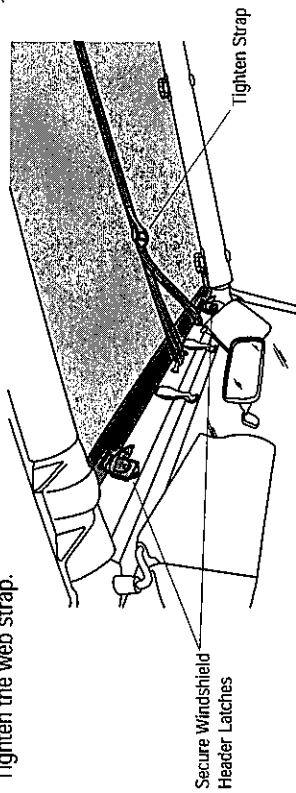


Step Twenty-One

SECURE WINDSHIELD RETAINER

Close the front deck completely and secure the latches in the Windshield Retainer to the windshield.

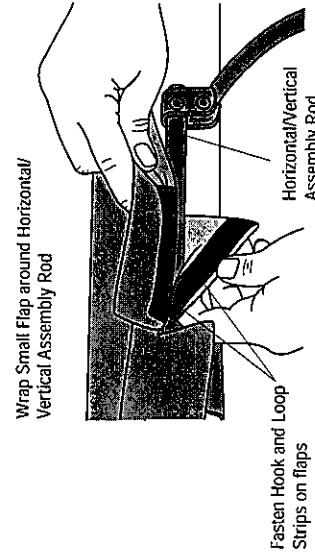
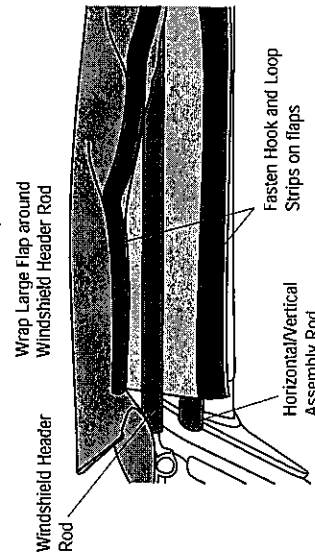
Tighten the web strap.



Step Twenty-Two

SECURE SIDES OF FRONT DECK

Locate the flaps sewn to the deck above the door openings. Slip the large inside flap between the horizontal rod on the Horizontal/Vertical Assembly and the Windshield Header Rod. Fasten it to the outside flap with the hook and loop fastener. Wrap the small flap at the rear of the opening around the horizontal rod on the Horizontal/Vertical Assembly and fasten the hook and loop strips.





WARNING

If any of these adjustments are made, make sure that each area has been retightened. Each area should be rechecked within a week to assure proper fit and function.

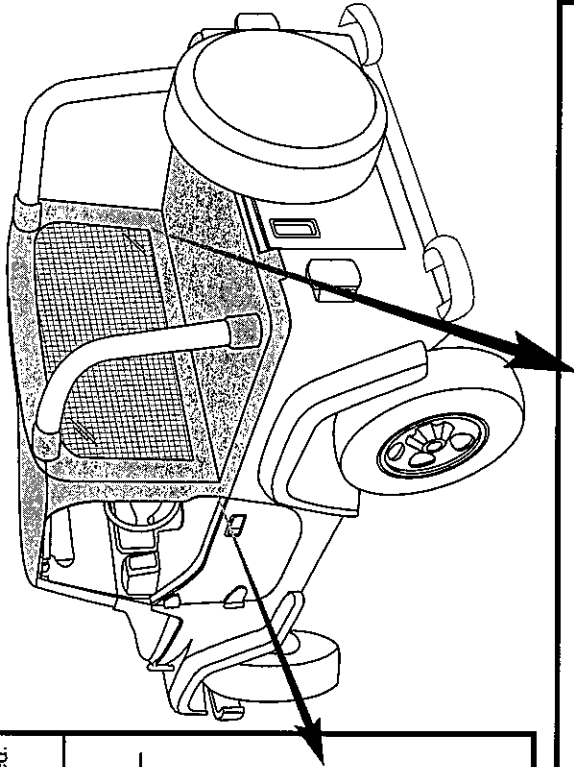
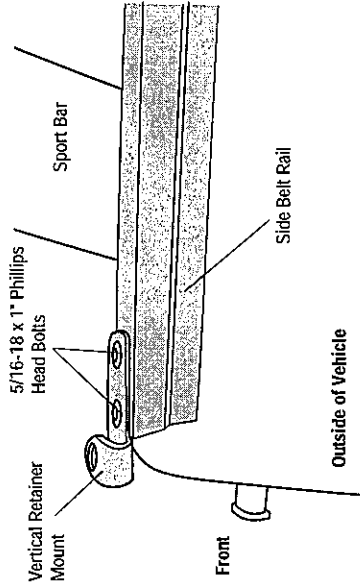
Note: Now that your soft top is fully installed, there are some final Metal Door adjustments that may need to be made to give you the best weather seal possible.

Step Twenty-Three

VERTICAL RETAINER ADJUSTMENT

The Vertical Retainer mount may be loosened and moved either forward or to the rear of the vehicle to tighten the seal or to allow more clearance.

Check and fully tighten all bolts after the final adjustments are complete.



Step Twenty-Four

INSTALL THE REAR WINDOW

To start the zipper, pull the two sliders as far down as possible on the passenger's side of the window in order to catch the sliders to the pin.

Once the zipper is caught, start the top slider 1/2". Then hold up the top of the window with one hand and close the zipper with the other. The zipper is sandwiched between layers of fabric in the corners so be careful not to catch extra fabric in the zipper. Close the zipper.

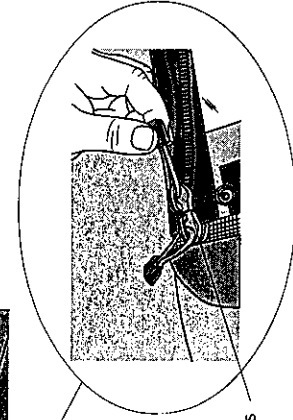
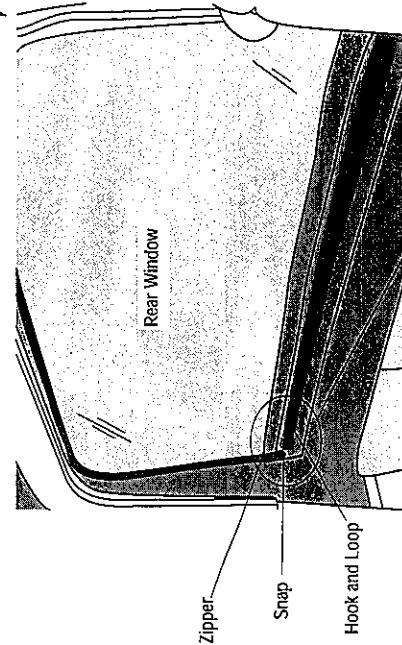
Make sure that the Tailgate Bar is centered and is securely in the mounts. Then tuck the flaps on the Rear Window under the top fabric.

REMOVING WINDOW

To remove the window completely, unzip it and release the snaps at the bottom corners. Then release the Hook and Loop strip along the bottom of the window opening.

REINSTALLING WINDOW

In order to reinstall the window all the zipper slides must be together at the end of the zipper or they will not catch properly. Close the zipper, secure the Hook and Loop strip along the bottom and attach the snaps on the corners.



To Start Zipper - Sliders must be together

Using the Halftop Features

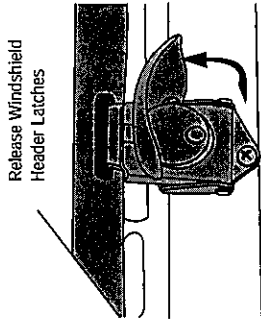


WARNING

DO NOT Open the Sun Roof while driving.

To Open Sun Roof

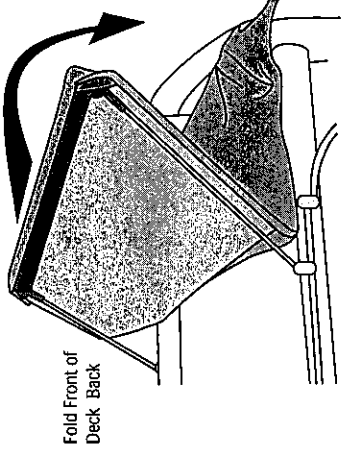
Open the Windshield Header latches to release the header from the windshield. Separate the hook and loop strips on the flaps above the door openings. Rotate the front of the header toward the rear of the vehicle.



Release Windshield Header Latches



Release Hook and Loop Strip



Fold Front of Deck Back



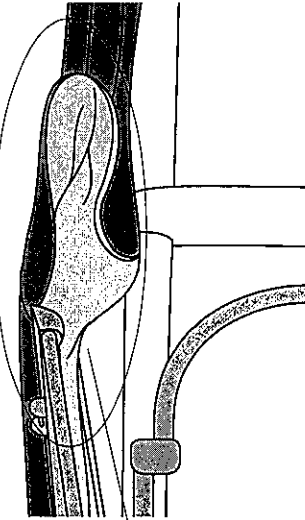
WARNING

DO NOT Open the Sun Roof while driving.

To Secure the Top with Sunroof Open - Option A

Release the hook and loop above the doors. As you fold the Windshield Header Assembly back on top of the deck, pull the loose fabric up and back at the midpoint between the header and Center Sport Bar, allowing the fabric to fold, accordion style on top of the deck.

Hook the plastic clip on the J-Clip Strap to the rear edge of the Windshield Header Assembly to secure the Sun Roof.



Windshield Header Assembly

J-Clip Strap

Deck Fabric

Sport Bar



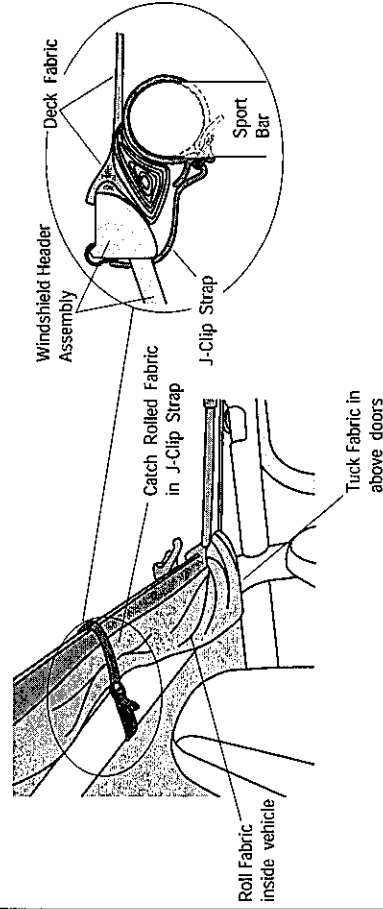
WARNING

DO NOT Open the Sun Roof while driving.

To Secure the Top with Sunroof Open - Option B

Release the hook and loop above the doors. As you fold the Windshield Header Assembly back on top of the deck, pull the loose fabric in the center down into the vehicle in front of the Sport Bar and roll the fabric inside the vehicle. Tuck in the loose fabric on the ends.

Hook the plastic clip on the J-Clip Strap to the rear edge of the Windshield Header Assembly to secure the Sun Roof and the rolled fabric inside the vehicle.



Windshield Header Assembly

Deck Fabric

Catch Rolled Fabric in J-Clip Strap

J-Clip Strap

Roll Fabric inside vehicle

Tuck Fabric in above doors

Care and Maintenance of your New Halftop

Your top is made of the finest materials available. To keep it looking new and for the maximum possible wear, it will need periodic cleaning and maintenance.

Washing: The top fabric should be washed often using soap, warm water and a soft bristle brush. Rinse with clear water to remove all traces of soap.

Windows: Keep windows clean to avoid scratching. **DO NOT** use a brush on the windows! Wash with a watersoaked cloth or sponge and a mild dishwashing detergent. **NEVER WIPE THE WINDOWS WHEN THEY ARE DRY.** Be careful when cleaning snow or frost from the vinyl windows since they are easily scratched and may crack at low temperatures. **DO NOT** roll the sides or rear window in cold weather. The windows become stiff and will crack.

Zippers: Keeping the zipper cleaned and lubricated with a silicone lubricant will help prevent damage and keep the zippers in a smooth working condition. If a zipper opens behind the slider, the slider may have been spread apart. This problem can usually be repaired by using an ordinary pair of pliers to bring the sides back into parallel. Return slider to the end of the zipper in the normal Open position.

Squeeze lightly at first and test the zipper. If the zipper continues to remain open, squeeze more firmly with the pliers and try the zipper again. Repeat this procedure until the zipper operates correctly.

Water: In the event of seeping through the seams, 3M Scotchgard® may be applied on the inside of the seams to stop the seepage. Rips in the fabric may be repaired with Bondex® iron on patches. Iron the patches to the inside of the top, carefully following the Bondex® instructions.

Snaps: Keep snaps cleaned and lubricated with silicone to help prevent snaps from sticking to the studs. If a snap does become stuck to a stud, use a screwdriver and GENTLY pry apart to prevent permanent damage to the snap or the top fabric.

LIMITED WARRANTY

We warrant our product to be free from defects in material and workmanship, for terms specified below, provided there has been normal use and proper maintenance. This warranty applies to the original purchaser only. All remedies under this warranty are limited to the repair or replacement of any item or items found by the factory to be defective within the time period specified.

If you have a warranty claim, first you must call our factory at the number below for instructions. You must retain proof of purchase and submit a copy with any items returned for warranty work. Upon completion of warranty work, if any, we will return the repaired or replaced item or items to you freight prepaid. Damage to our products caused by accidents, fire, vandalism, negligence, misinstallation, misuse, Acts of God, or by defective parts not manufactured by us, is not covered under this warranty.

THE WARRANTY TIME PERIOD IS AS FOLLOWS: ALL "SOFT GOODS" MANUFACTURED BY OUR COMPANY: ONE YEAR FROM DATE OF PURCHASE.

ANY IMPLIED WARRANTIES OF MERCHANTABILITY AND/OR FITNESS FOR A PARTICULAR PURPOSE CREATED HEREBY ARE LIMITED IN DURATION TO THE SAME DURATION AND SCOPE AS THE EXPRESS WRITTEN WARRANTY. OUR COMPANY SHALL NOT BE LIABLE FOR ANY INCIDENTAL OR CONSEQUENTIAL DAMAGE.

Some states do not allow limitations on how long an implied warranty lasts, or the exclusion or limitation of incidental or consequential damages, so the above limitations or exclusions may not apply to you.

This warranty gives you specific legal rights, and you may also have other rights which vary from state to state.

For further information, please contact:

Bestop Inc.
Customer Service
(800) 845-3567
(303) 465-1755

