



## Canopy Cover Installation Instructions

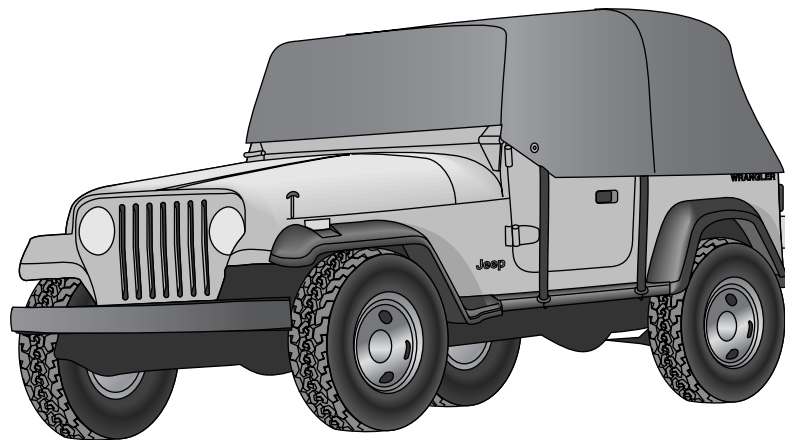
**For: Wrangler 1997 - 2006**

**Part Number: 41729**

**Special Note:** This cover is to be installed on the vehicle without a complete top in place. The bows should be folded down if installation is on a soft top Wrangler.

This cover may be installed over a Cargo Cover and Sun Cap.

The "Security" Grommet is for the installation of a cable lock system as a theft deterrent. Cable locks are commonly available from leading auto parts stores.



### WARNING

This product is designed primarily to protect the interior of the vehicle from ordinary weather conditions. Please note that during prolonged exposure to heavy rain or snow, some seam leakage may occur. Please plan accordingly. This product will not protect the vehicle from falling objects. Never operate vehicle with this product installed.

### Installation Tips

*After completing the installation, keep these instructions for future reference. Before you begin installing this Canopy Cover, read all instructions thoroughly. Below are a few tips to make this installation easier.*

**Note:**

It is normal for the fabric to contract and wrinkle when stored in the shipping carton. Within a few days after the installation, the fabric will relax and the wrinkles will disappear.

# Canopy Cover Installation

## Parts List

Trail Cover Fabric

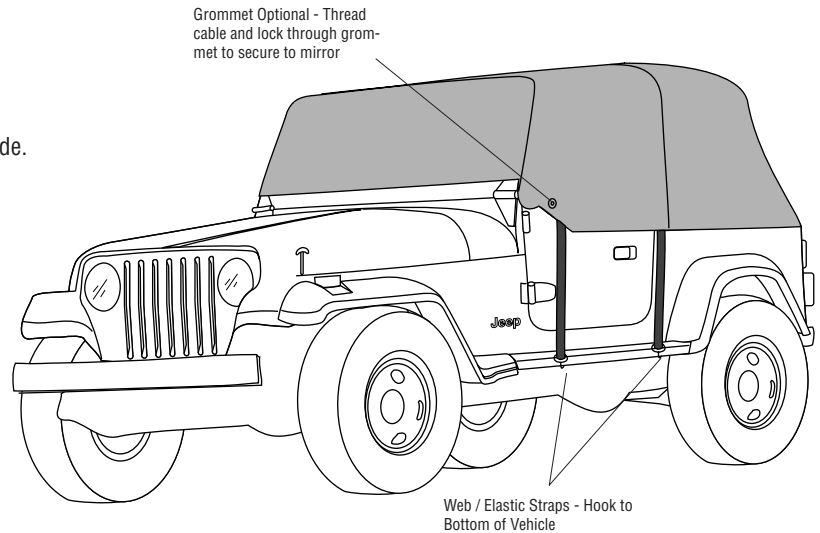
Qty - 1

## Preparing the Vehicle for Installation of the Canopy Cover

- Make certain that the vehicle engine and all lights are turned off.
- Set the Emergency (Parking) Brake.
- Remove all personal possessions from the vehicle.

### Step One

Orient the Canopy Cover with the snaps toward the front and the Bestop label on the driver's side. Drape the Canopy Cover over the vehicle.



### Step Two

Locate the two web / elastic straps sewn on each side of the Canopy Cover. Pull the straps down and hook them to the bottom of the vehicle.

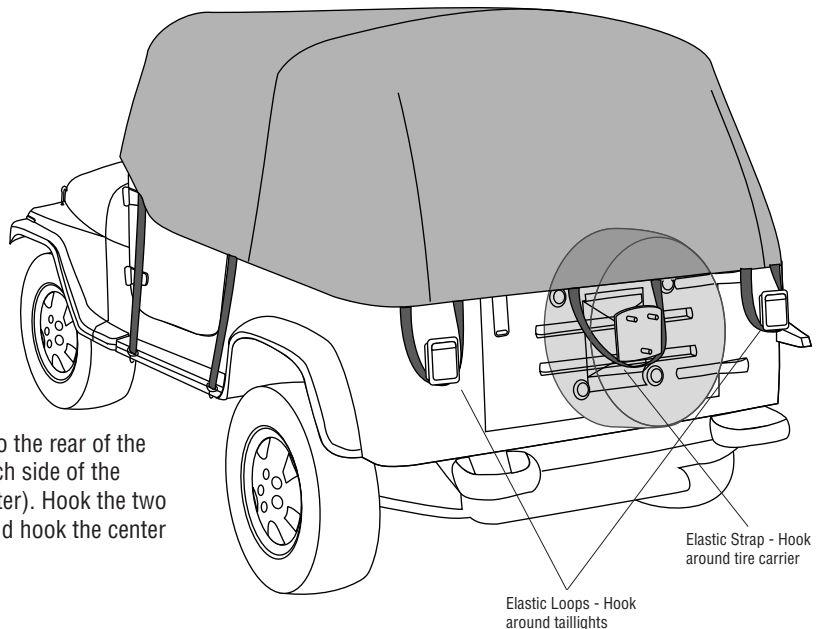
Make sure that the fabric flap inside the cover lays flat behind the grommets, next to the snap, on each side of the vehicle.

### Optional:

The grommet on each side of the vehicle is to secure the cover to the vehicle. Thread a cable and lock through the grommet and through the mirror to secure the cover.

### Step Three

Locate the three elastic loops sewn to the rear of the Canopy Cover (one small loop on each side of the vehicle and one large loop in the center). Hook the two outside loops around the taillights and hook the center loop around the tire carrier.



### **LIMITED WARRANTY**

We warrant our product to be free from defects in material and workmanship, for the terms specified below, provided there has been normal use and proper maintenance. This warranty applies to the original purchaser only. All remedies under this warranty are limited to the repair or replacement of any item or items found by the factory to be defective within the time period specified.

If you have a warranty claim, first you must call our factory at the number below for instructions. You must retain proof of purchase and submit a copy with any items returned for warranty work. Upon completion of warranty work, if any, we will return the repaired or replaced item or items to you freight prepaid. Damage to our products caused by accidents, fire, vandalism, negligence, misinstallation, misuse, Acts of God, or by defective parts not manufactured by us, is not covered under this warranty.

THE WARRANTY TIME PERIOD IS AS FOLLOWS: ALL "SOFT GOODS" MANUFACTURED BY OUR COMPANY (USING PRIMARILY VINYL, PLASTICS, AND/OR FOAM): ONE YEAR FROM DATE OF PURCHASE.

ANY IMPLIED WARRANTIES OF MERCHANTABILITY AND/OR FITNESS FOR A PARTICULAR PURPOSE CREATED HEREBY ARE LIMITED IN DURATION TO THE SAME DURATION AND SCOPE AS THE EXPRESS WRITTEN WARRANTY. OUR COMPANY SHALL NOT BE LIABLE FOR ANY INCIDENTAL OR CONSEQUENTIAL DAMAGE.

Some states do not allow limitations on how long an implied warranty lasts, or the exclusion or limitation of incidental or consequential damages, so the above limitations or exclusions may not apply to you.

This warranty gives you specific legal rights, and you may also have other rights which vary from state to state.

For further information or request for warranty work, please contact: Customer Service  
877-638-9509