



Bestop

Super Soundbar Soundbar

Installation Instructions

Part Number: 63715
Part Number: 63710

WARNING

This product is designed to enhance the appearance of the vehicle. Never operate vehicle in excess of manufacturer's specifications.

WEAR SEAT BELTS AT ALL TIMES

Read and follow, precisely, all installation instructions provided when installing sound bar.

Caution

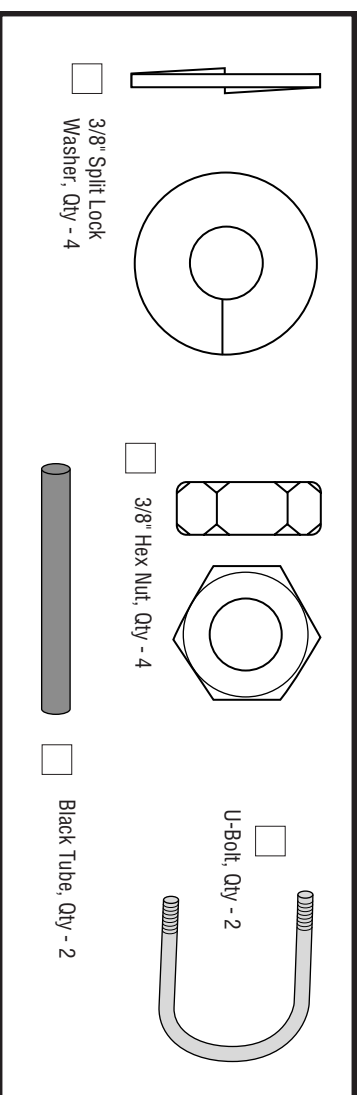
Disconnect the battery before beginning the Soundbar Installation.

Bestop recommends that the Super Soundbar Speakers be professionally installed.

Adjustments to the speaker position of the Super Soundbar should only be made when the vehicle is stopped and safely out of traffic. It is important to make sure that the bracket is fully engaged before proceeding. ***Do not drive and/or move the vehicle with the Super Soundbar in the vertical position.***

The Soundbar must be in the horizontal position during inclement weather. Failure to follow this installation may void warranty.

Parts List and Hardware Identification



Soundbar Qty - 1

Tools Needed

Safety Glasses
Socket Extension
9/16" Deep Socket
Ratchet

Installation Tips

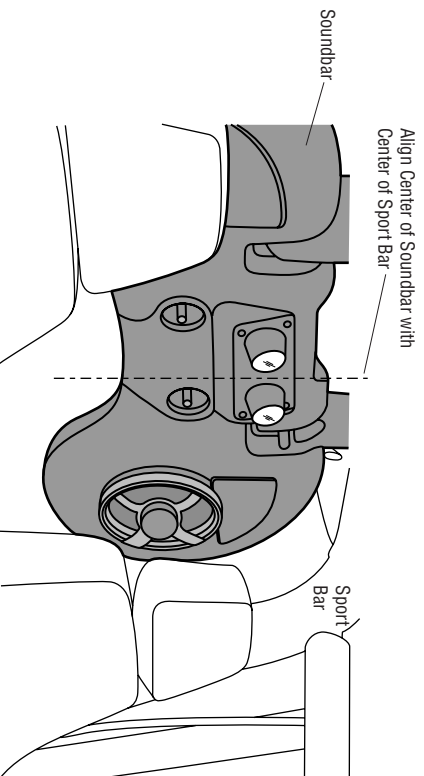
Before you begin installing this soundbar, read all instructions thoroughly.

Additional wire may be required for vehicles without sound bars and / or dome lights to complete wiring installation.

Soundbar Installation

Step One

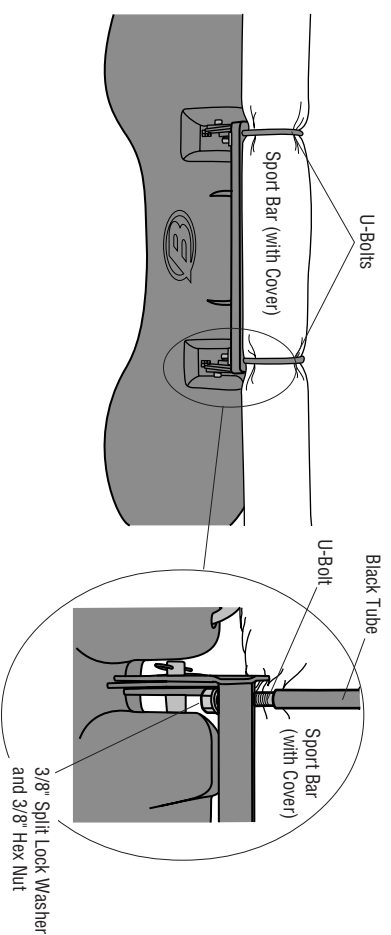
With the speakers facing toward the front of the vehicle, align the center of the soundbar bracket with the centerline of the sport bar.



Note: The soundbar may be installed with the top on the vehicle, but for easier installation remove the vehicle top.

Step Two

Slide the U-Bolts over the sport bar and through the brackets on the soundbar. Secure the U-Bolts with a 3/8" Split Lock Washer and a 3/8" Hex Nut for each bolt.



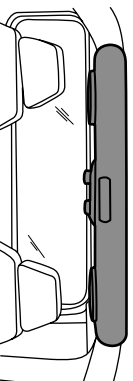
Note: The soundbar may be fastened over the sport bar cover. Be careful not to scratch the sport bar or tear the sport bar cover when sliding the U-Bolts over the sport bar.

Step Three

Rotate the soundbar to the rear of the vehicle until it is in a horizontal position. Use a 9/16" Deep Socket to tighten the 3/8" Hex Nut. If the top is in place, a long extension will be needed to tighten the top nuts on the 64355.

If the top has been removed, reinstall it and adjust the soundbar position to maximize headroom in the rear of the vehicle.

Tighten the U-Bolts to 150 in. lbs. of torque.



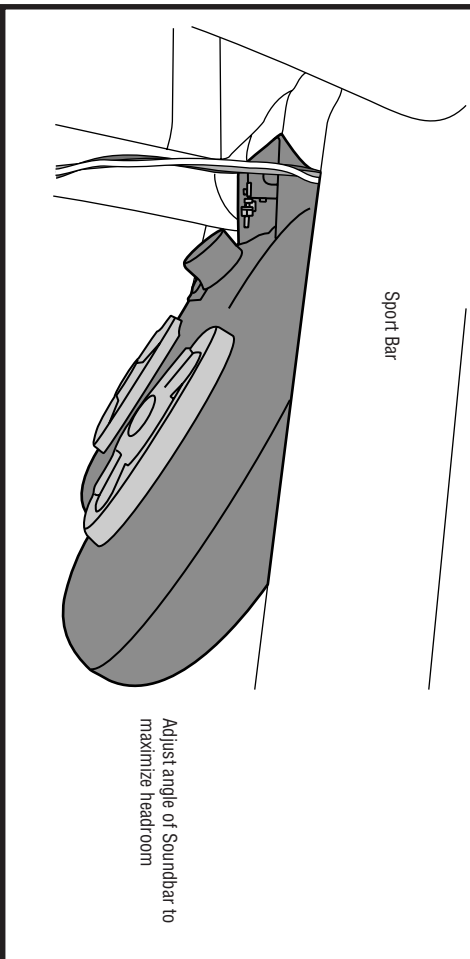
Rotate Soundbar back to access top Hex Nuts

63450 Super Soundbar

Step Four

The 63450 Super Soundbar allows for flexible positioning of the soundbar.

To access the top bracket nuts on the Super Soundbar, pull the positioning pin and put the soundbar in the down position. Use a 9/16" socket to tighten the nuts.



Step Five

Check and retighten the sportbar after driving 100 miles.



Caution

Adjustments to the speaker position of the Super Soundbar should only be made when the vehicle is stopped and safely out of traffic. It is important to make sure that the bracket is fully engaged before proceeding. **Do not drive and/or move the vehicle with the Super Soundbar in the vertical position.**

The Soundbar must be in the horizontal position during inclement weather. Failure to follow this installation may void warranty.

Bestop recommends that this be Professionally Installed.

Electrical Connections

Connect the passenger speaker using the shortest double black lead. The black with the white stripe is negative (-).

Connect the driver speaker using the longest double black lead. The black with the white stripe is negative (-).

Connect the red wire (positive light wire) to the fused hot wire.

Connect the black wire to the ground.

LIMITED WARRANTY

We warrant our product to be free from defects in material and workmanship, for terms specified below, provided there has been normal use and proper maintenance. This warranty applies to the original purchaser only. All remedies under this warranty are limited to the repair or replacement of any item or items found by the factory to be defective within the time period specified.

If you have a warranty claim, first you must call our factory at the number below for instructions. You must retain proof of purchase and submit a copy with any items returned for warranty work. Upon completion of warranty work, if any, we will return the repaired or replaced item or items to you freight prepaid. Damage to our products caused by accidents, fire, vandalism, negligence, misinstallation, misuse, Acts of God, or by defective parts not manufactured by us, is not covered under this warranty.

THE WARRANTY TIME PERIOD IS AS FOLLOWS: ALL "SOFT GOODS" MANUFACTURED BY OUR COMPANY (USING PRIMARILY VINYL, PLASTICS, AND/OR FOAM): ONE YEAR FROM DATE OF PURCHASE.

ANY IMPLIED WARRANTIES OF MERCHANTABILITY AND/OR FITNESS FOR A PARTICULAR PURPOSE CREATED HEREBY ARE LIMITED IN DURATION TO THE SAME DURATION AND SCOPE AS THE EXPRESS WRITTEN WARRANTY. OUR COMPANY SHALL NOT BE LIABLE FOR ANY INCIDENTAL OR CONSEQUENTIAL DAMAGE.

Some states do not allow limitations on how long an implied warranty lasts, or the exclusion or limitation of incidental or consequential damages, so the above limitations or exclusions may not apply to you.

This warranty gives you specific legal rights, and you may also have other rights which vary from state to state.

For further information or request for warranty work, please contact: Bestop Inc.

Customer Service

(800)346-3910

(303)465-1755

