



INSTALLATION INSTRUCTIONS

REAR CARGO SECURITY LOCK-BOX #039

Please read and fill out the enclosed warranty registration card to activate your warranty.

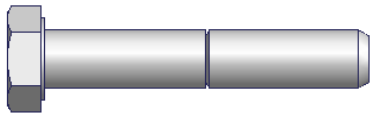
PARTS CHECKLIST



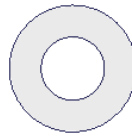
(2) 5/16 x 1 1/4" BOLTS



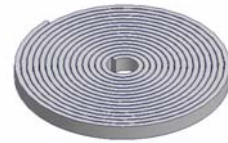
(8) 5/16 NYLOCK NUTS



(2) 5/16 X 1 3/4" BOLTS



(12) 5/16" WASHERS



RUBBER SEAL

For office use only

- (2) Shelves
- Pushbutton
- (2) Latches
- (1) 2 point latch cover
- (1) 2 point rod
- Shipping package
- Rubber seal
- Warranty card
- Key for lock
- Keyed alike
- Color code

Checked by _____

TOOLS NEEDED

- Electric drill
- 3/8" Drill bit
- Marker or pencil
- Knife
- 1/2" Socket and ratchet
- 1/2" Wrench
- Silicone sealant (Recommended)

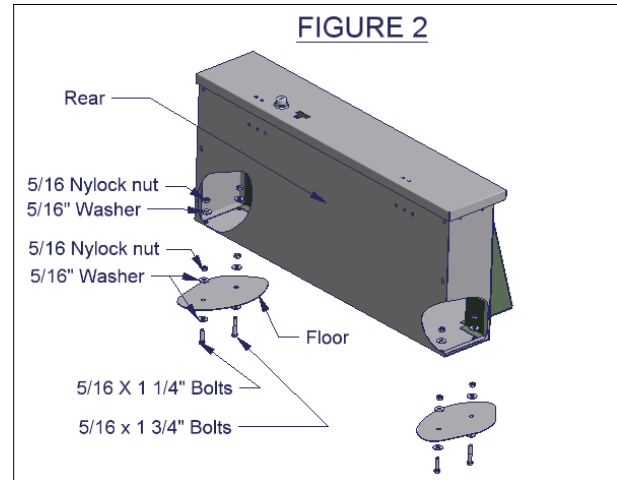
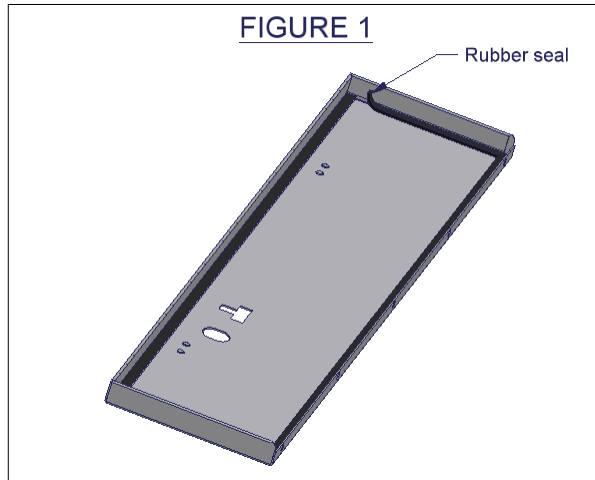
PLEASE READ ALL INSTRUCTIONS THOROUGHLY BEFORE STARTING INSTALLATION.

1. Install rubber seal on lid and check lock operation. (SEE FIGURE 1)
2. Place the trunk in the vehicle and center it making sure the tailgate will latch shut, and the seat will fold and tumble.
3. Using a marker or pencil, mark (4) spots through the 3/8" mounting holes in the trunk.

WARNING!

Make sure that there is nothing under the vehicle that will be damaged by the drill bit when drilling. IN MOST VEHICLES THERE IS A GAS TANK UNDERNEATH THE REAR OF THE VEHICLE. THE GAS TANK MAY HAVE TO BE LOWERED TO INSTALL THE MOUNTING BOLTS. PLEASE CONSULT VEHICLE OWNERS MANUAL FOR INSTRUCTIONS ON LOWERING THE GAS TANK.

4. Remove the trunk. Cut the carpet at the (4) marked holes. Using a 3/8" drill bit, drill out the (4) marked spots in the floor.
5. It is recommended to use silicone sealant in any holes drilled in the vehicle to prevent rusting.
6. **Do not place the trunk in the vehicle until step 8.** Install (2) 5/16 x 1 1/4" bolts with (2) 5/16" washers up from underneath in the two rear holes in the vehicle. Fasten the bolts to the floor with (2) 5/16" washers and (2) 5/16" nylock nuts. (SEE FIGURE 2)
7. **Do not place the trunk in the vehicle until step 8.** Install (2) 5/16 x 1 3/4" bolts with (2) 5/16" washers up from underneath in the two front holes in the vehicle. Fasten the bolts to the floor with (2) 5/16" washers and (2) 5/16" nylock nuts. (SEE FIGURE 2)
8. Place the trunk back in the vehicle over the bolts fastened to the floor. Secure the trunk down to the bolts using (4) 5/16" washers, and (4) 5/16" nylock nuts. (SEE FIGURE 2)



ATTENTION:

FREQUENT LUBRICATION IS NECESSARY ON THE LOCKING SYSTEM

The pushbutton lock contains an "O" ring seal to protect the interior from dust and water. If this mechanism is not lubricated regularly it will become difficult to operate and it may not return to its home position preventing the key from operating the lock. If this happens simply pull up on the pushbutton to manually bring it back to its home position. Lubricate the pushbutton with a light lubricant such as silicone spray. The pushbutton may have to be periodically disassembled and cleaned.

THE TUFFY WARRANTY

We build Tuffy products to last a lifetime and that's how long we'll stand behind them. Tuffy Products are warranted against defects in material and workmanship, excluding the coating, under normal use during the time that the original owner possesses the vehicle in which the part is installed and used. Warranty does not cover rusting, the coating, expenses for installation, service, or down time. Warranty does not cover material, labor, or additional parts required for replacement or repair of damages, malfunctions, or service failures caused by abuse (including fire or wreckage), misuse, neglect, failure to follow the manufacturer's operating and/or installation instructions, repairs made or attempted by unauthorized persons, and/or any claims for incidental or consequential damages for breach of any express or implied warranties. Tuffy Security Products, Inc. shall only be responsible to the extent of replacing or repairing materials supplied to customers, which are determined by Tuffy Security Products, Inc. to be defective and shall have no liability beyond such repair or replacement. Tuffy Security Products, Inc. expressly disclaims all other warranties, express or implied, and specifically disclaims any implied or other warranty of fitness for any particular purpose for which the product is supplied without Tuffy Security Products, Inc.'s knowledge or consent. Any use or application of the material and/or products supplied to its customers for the purpose not intended for such material and/or products shall operate to void all warranties and Tuffy Security Products, Inc. expressly disclaims any liability resulting from material and/or product failure in such event. This warranty gives you specific legal rights and you may have other rights, which vary, from state to state.