





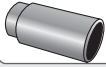
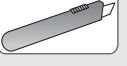

Installation Instructions

INSTATRUNK™

Vehicle Application:

- Jeep® Wrangler and Wrangler Unlimited
1997 - 2006
Part Number: 42634

www.bestop.com - We're here to help! Visit our web site and click on "[Ask a Question](#)". Click here for more [Jeep® Accessories by Bestop](#).

INSTALLATION TIME	SKILL LEVEL		
 1/2 Hour	 1 - Easy		
TOOLS			
 10 mm		 9/16"	 1/8" and 13/32" bits
			



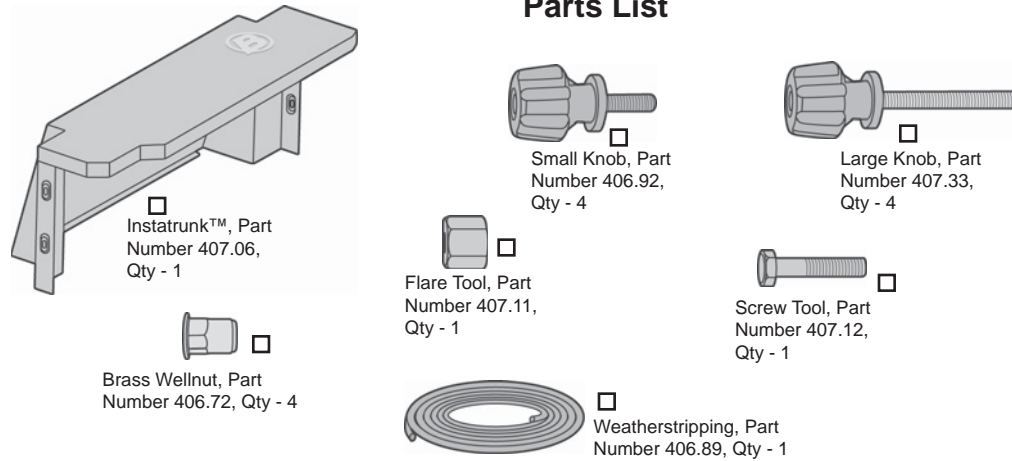
⚠ WARNING This product is designed primarily to enhance the appearance of the vehicle. Do not rely in any way on the components of this product to protect against injury or death in the event of an accident. Never operate the vehicle in excess of manufacturer's specifications.

WEAR SEAT BELTS AT ALL TIMES

Read and follow, precisely, all installation instructions provided when installing product. Failure to do so may result in a poor fit and could place occupants of the vehicle in a potentially dangerous situation.

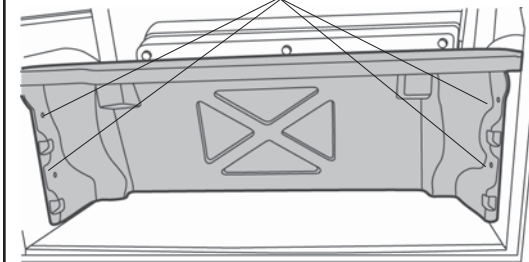
INSTATRUNK™ Installation Instructions

Parts List



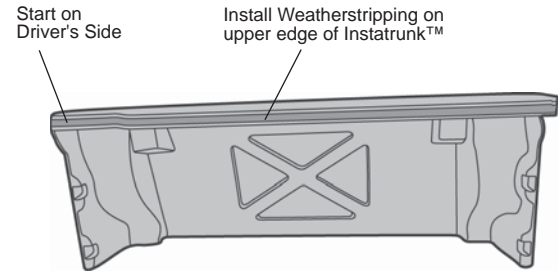
3 Drill Holes - Wrangler Unlimited Only

Make sure that Instatrunk™ (407.06) is level. Use the mounting points in the Instatrunk™ as a template to drill four (4) 1/8" pilot holes. Remove the Instatrunk™ from the vehicle and drill four (4) 13/32" holes. Drill 13/32" Holes at Mount Locations



1 Install Weatherstripping

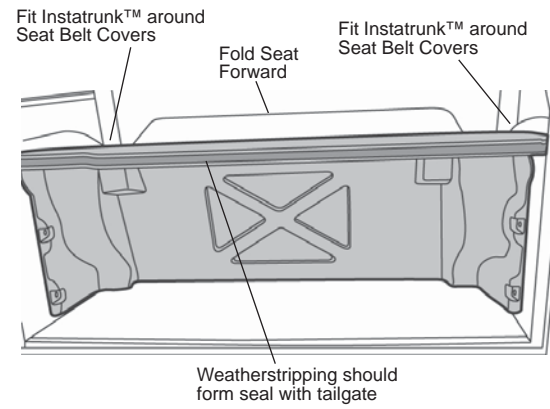
Locate the Weatherstripping (406.89) in the parts kit. From the rear of the Instatrunk™ (407.06) start installing the Weatherstripping on the driver's side and work across to the passenger's side. Peel the backing off the Weatherstripping a few inches at a time and press the adhesive on the Weatherstripping onto the edge of the Instatrunk™.



2 Install Instatrunk™

Open the tailgate of the vehicle and lean the rear seat back forward. Place the Instatrunk™ (407.06) in the vehicle so that it fits snugly between the wheel wells with the top level with the top of the wheel wells and with the notches around the plastic seat belt covers. Make sure that the contoured edge of the Instatrunk™ with the Weatherstripping is flush against the tailgate. Close the tailgate to check that the Weatherstripping forms a seal against the tailgate. Adjust the position of the Instatrunk™ as needed.

Note: In some cases there may be extra padding under the carpet, in this case it may be necessary to remove it for the Instatrunk™ to fit properly.

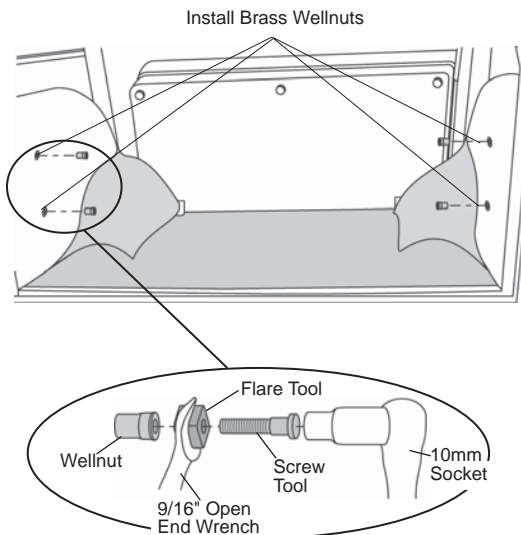


INSTATRUNK™ Installation Instructions

4 Install the Brass Wellnuts.

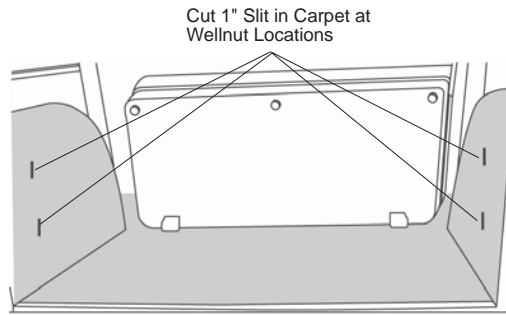
Carefully pull the carpet away from the rear wheel wells so that the hook and loop remains attached to the carpet for reinstallation later.

Locate the Brass Wellnuts (406.72) in the parts kit. Use the Flare and Screw Tools (407.11 and 407.12) provided and a 9/16" Open End Wrench and a 10mm Socket to install them into the holes. Make sure that the flange of the Wellnut is completely against the metal while installing.



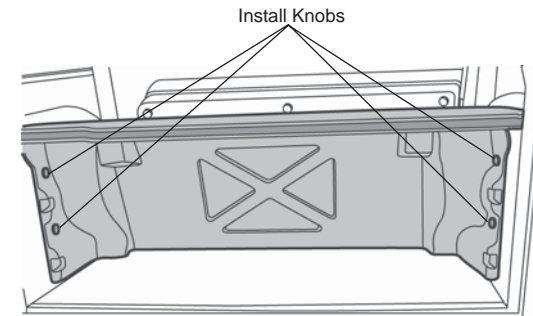
5 Replace Carpet

Replace the carpet, smoothing it out and covering the Wellnuts (406.72). Use a utility knife to cut a 1" vertical slit in the carpet at each Wellnut location.



6 Install Knobs

Place the Instatrunk™ (407.06) back in the vehicle aligning the holes in the Instatrunk™ with the Wellnuts (406.72). Install a Knob through the Instatrunk™ into each Wellnut. If you are installing the Instatrunk™ in the Wrangler Unlimited you will use the longer 47mm Knobs (407.33). For TJ vehicles, use the shorter 19mm Knobs (406.92).



INSTATRUNK™ Installation Instructions

Limited Warranty

We warrant our product to be free from defects in material and workmanship, for the terms specified below, provided there has been normal use and proper maintenance. This warranty applies to the original purchaser only. All remedies under this warranty are limited to the repair or replacement of any item or items found by the factory to be defective within the time period specified.

If you have a warranty claim, first you must call our factory at the number below for instructions. You must retain proof of purchase and submit a copy with any items returned for warranty work. Upon completion of warranty work, if any, we will return the repaired or replaced item or items to you freight prepaid. Damage to our products caused by accidents, fire, vandalism, negligence, misinstallation, misuse, Acts of God, or by defective parts not manufactured by us, is not covered under this warranty.

THE WARRANTY TIME PERIOD IS AS FOLLOWS: ALL "PRODUCTS" MANUFACTURED BY OUR COMPANY: ONE YEAR FROM DATE OF PURCHASE.

ANY IMPLIED WARRANTIES OF MERCHANTABILITY AND/OR FITNESS FOR A PARTICULAR PURPOSE CREATED HEREBY ARE LIMITED IN DURATION TO THE SAME DURATION AND SCOPE AS THE EXPRESS WRITTEN WARRANTY. OUR COMPANY SHALL NOT BE LIABLE FOR ANY INCIDENTAL OR CONSEQUENTIAL DAMAGE.

Some states do not allow limitations on how long an implied warranty lasts, or the exclusion or limitation of incidental or consequential damages, so the above limitations or exclusions may not apply to you.

This warranty gives you specific legal rights, and you may also have other rights which vary from state to state.



For further information or request for warranty work, please contact:
Bestop Inc. Customer Service
(800) 845-3567
(303) 465-1755