






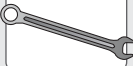
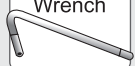
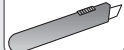


# Installation Instructions

## EXTENDATRUNK™ XL


### Application:


- Jeep Wranglers  
1997 - 2006  
Part Number: 42633

[www.Bestop.com](http://www.Bestop.com) - We're here to help! Visit our web site and click on ["Ask a Question"](#). Click here for more [Jeep Accessories by Bestop](#).

INSTALLATION TIME	SKILL LEVEL		
 <b>45 Minutes</b>	 <b>2 - Moderately Easy</b>		
TOOLS			
 Phillips Screwdriver	 Wrench 7/16"	 Allen Wrench 5/32"	 Utility Knife
 Scissors	 Safety Glasses		



 **CAUTION** Safety glasses should be worn at all times while installing this product.

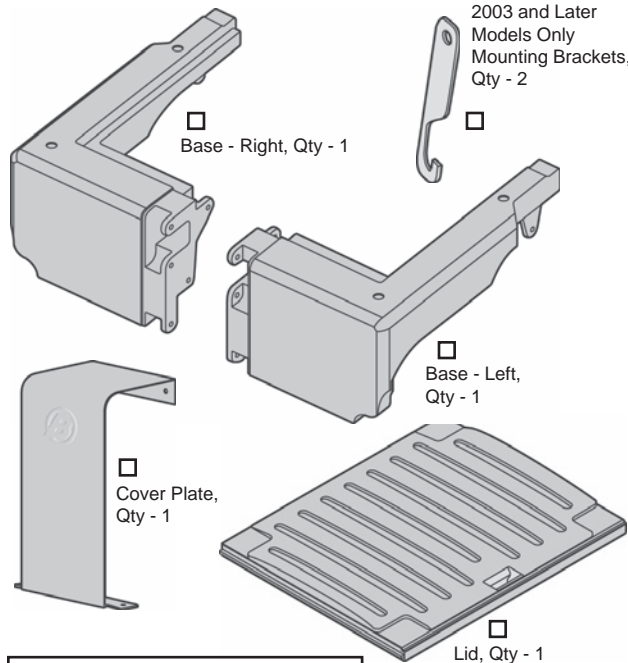
 **WARNING** This product is designed primarily to enhance the appearance of the vehicle and to shield the occupants from ordinary weather conditions. Do not rely in any way on the components of this product to contain occupants within the vehicle, or to protect against injury or death in the event of an accident. This product will not protect the occupants from falling objects. Never operate the vehicle in excess of manufacturer's specifications.

### WEAR SEAT BELTS AT ALL TIMES

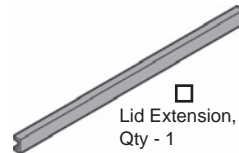
Read and follow, precisely, all installation instructions provided when installing product. Failure to do so may result in a poor fit and could place occupants of the vehicle in a potentially dangerous situation.

# EXTENDATRUNK™ XL Installation Instructions

## Parts List and Hardware Identification

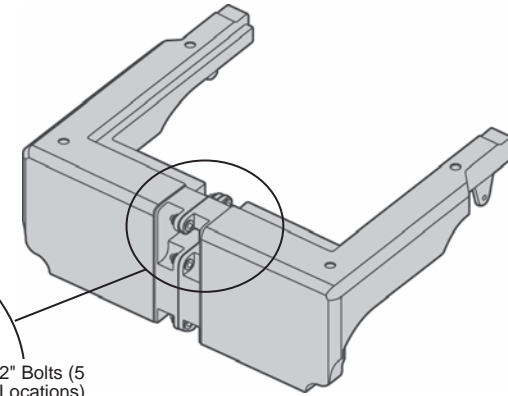
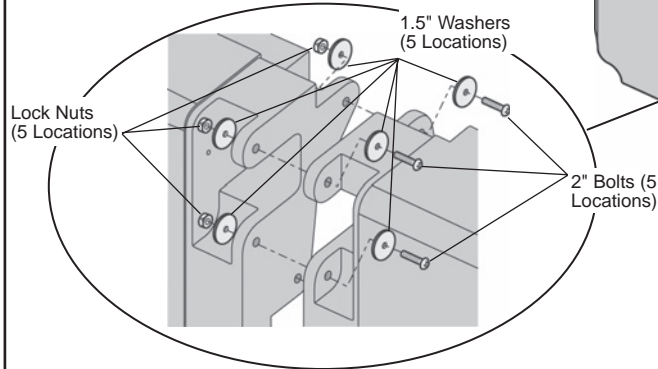


Plastic Caps	Qty - 4
2" Bolts,	Qty - 5
1.5" Washers,	Qty - 14
Locknuts,	Qty - 5
Self Tapping Screws,	Qty - 4
Wellnuts,	Qty - 2
Screw Tool,	Qty - 1
Flare Tool,	Qty - 1
Clevis Pin,	Qty - 2
Clevis Pin Clip,	Qty - 2
1/2" Spacers,	Qty - 2
M6 x 60mm Bolts,	Qty - 2
2" PSA Foam Strip	Qty - 1



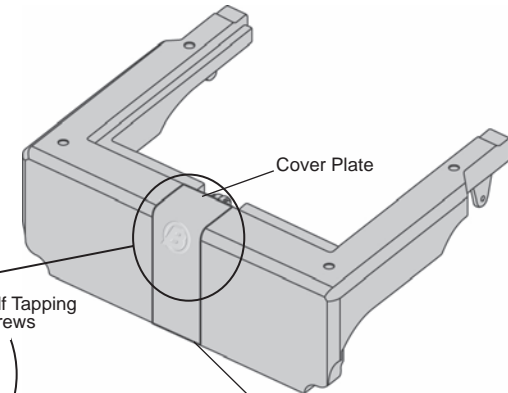
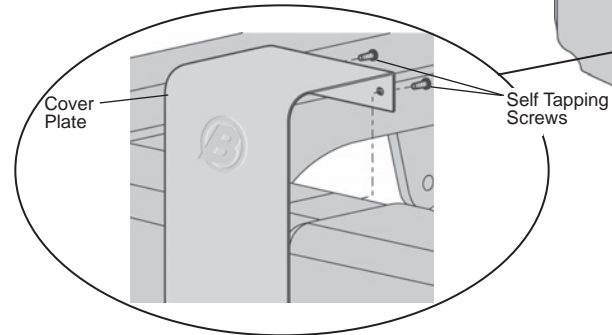
## 1 Assemble Base Unit

Place the Base Unit Halves together. Align the holes and install five 2" Bolts, ten 1.5" Washers and five Lock Nuts. Do not tighten the bolts at this time.



## 2 Install Cover Plate

Orient the Cover Plate with the bend toward the front of the Base Unit. Align the four mounting holes in the plate with the indentions in the plastic on the base. Install four Self Tapping Screws and tighten them securely.

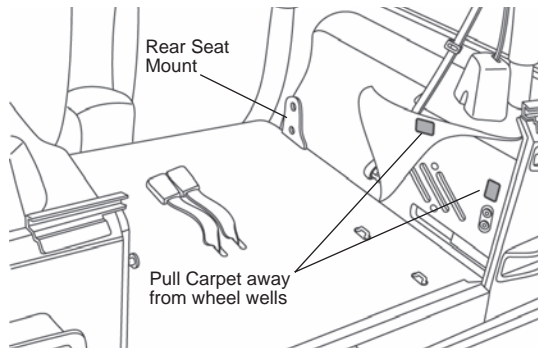


Install two Self Tapping Screws on bottom of plate

## EXTENDATRUNK™ XL Installation Instructions

### 3 Remove Rear Seat

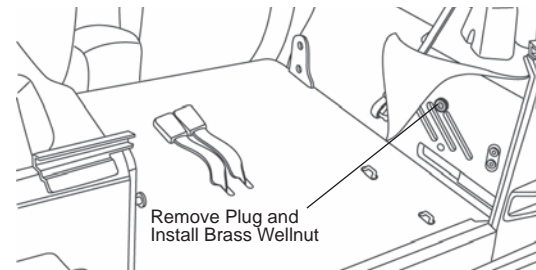
Remove the rear seat from the vehicle.  
Carefully pull the carpet away from the rear wheel wells so that the hook and loop remains attached to the carpet for reinstallation later.



### 4 Install the Brass Wellnuts

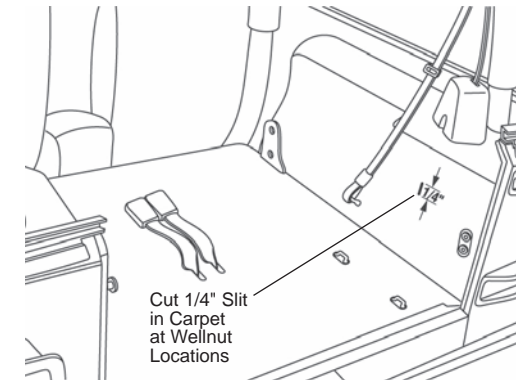
Locate the two holes in the wheel wells on each side of the vehicle. They are covered by rubber plugs. Remove the plugs.

Locate the Brass Wellnuts in the parts kit. Use the tools provided to install them into the holes. Make sure that the flange of the Wellnut is completely against the metal while installing.



### 5 Replace Carpet

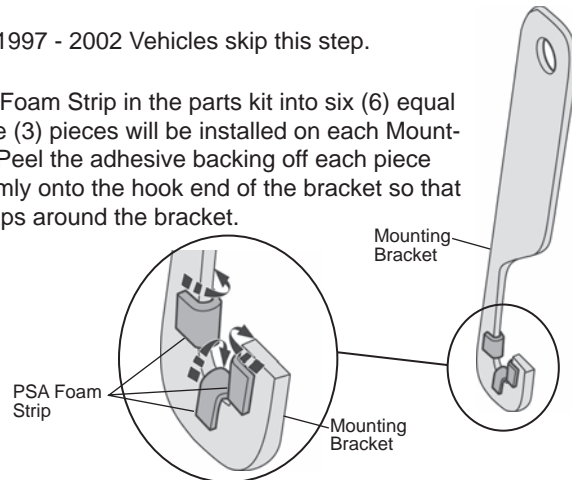
Replace the carpet, smoothing it out and covering the Wellnuts. Use a utility knife to cut a 1/4" vertical slit in the carpet at each Wellnut location.



### 6 Install PSA Foam Strip on Mounting Bracket (2003 and Newer Vehicles)

**NOTE** 1997 - 2002 Vehicles skip this step.

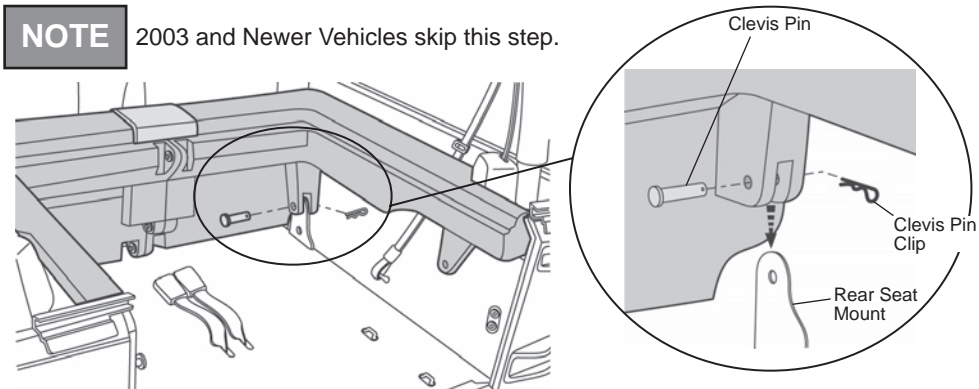
Cut the PSA Foam Strip in the parts kit into six (6) equal pieces. Three (3) pieces will be installed on each Mounting Bracket. Peel the adhesive backing off each piece and press firmly onto the hook end of the bracket so that the foam wraps around the bracket.



### 7 Secure Base to Rear Seat Mounting Brackets (1997 - 2002 Vehicles)

Place the Base in the vehicle by hooking the front brackets over the rear seat mounting brackets. Place a Clevis Pin through the brackets on each side of the vehicle and secure each pin with a Clevis Pin Clip.

**NOTE** 2003 and Newer Vehicles skip this step.

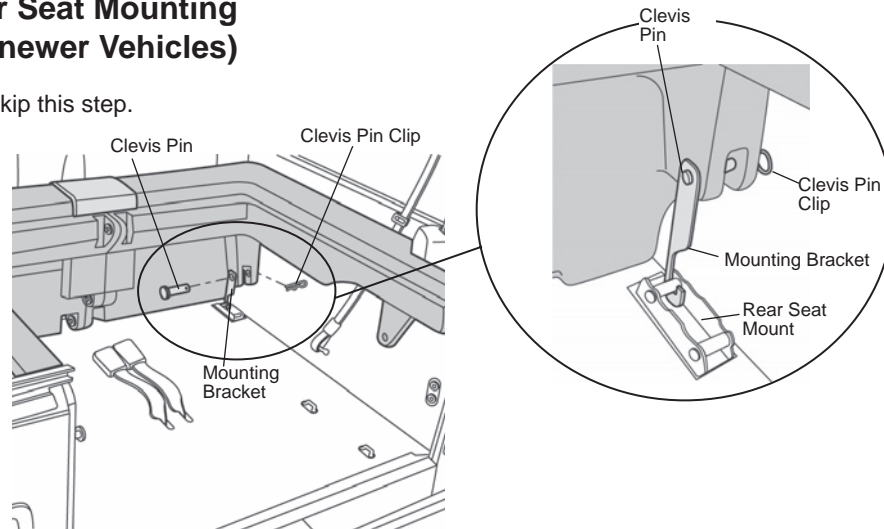


## EXTENDATRUNK™ XL Installation Instructions

### 8 Secure Base to Rear Seat Mounting Brackets (2003 and newer Vehicles)

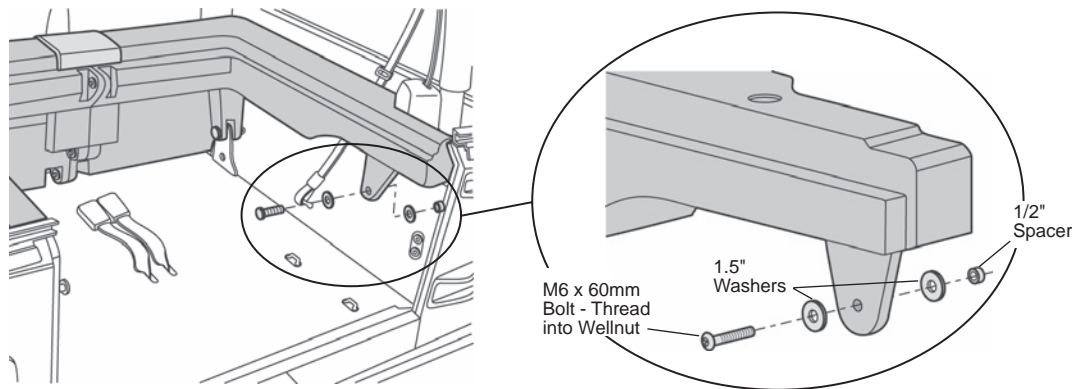
**NOTE** 1997 - 2002 Vehicles skip this step.

Place the Base in the vehicle and locate the Mounting Brackets in the parts kit. Slip the hooked end of the bracket under the bar on the Seat Mounting Bracket and align the hole in the Mounting Bracket with the holes in the Base. Place a Clevis Pin through the bracket and secure it with a Clevis Pin Clip. Repeat this procedure with the bracket on the other side of the vehicle.



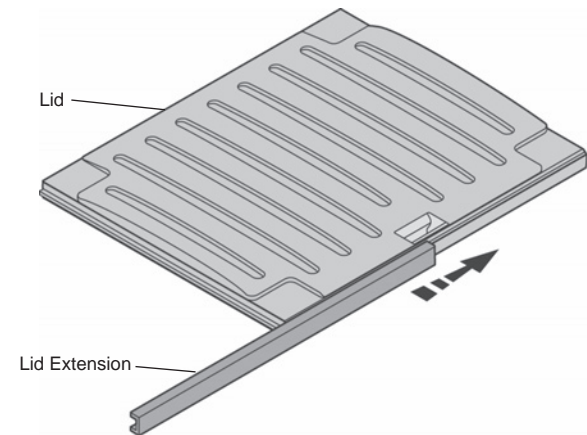
### 9 Secure Rear Mounting Brackets

Secure the rear brackets on the base to the vehicle. Align the holes in the rear brackets with the Wellnuts installed earlier. Install a M6 x 60mm Bolt, two 1.5" Washers and a 1/2" Spacer in the bracket on each side of the vehicle.



### 10 Assemble Lid

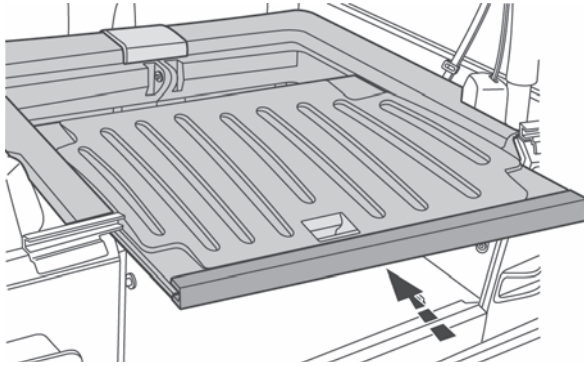
Slide the Lid Extension onto the front edge of the Lid.



## EXTENDATRUNK™ XL Installation Instructions

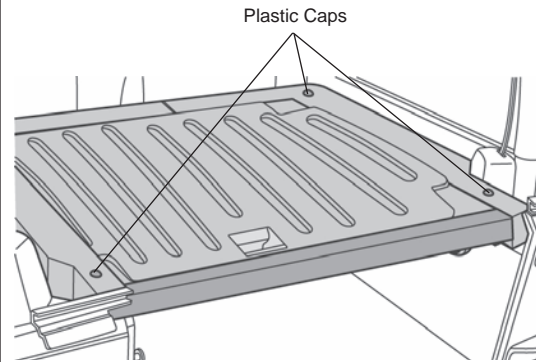
### 11 Install Lid into Base

Align the ridges on the sides of the Lid with the channels in the Base and slide the Lid into the Base.



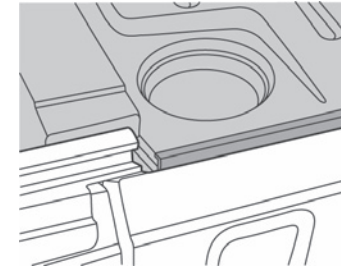
### 12 Install Plastic Caps

Place the four Plastic Caps from the parts kit into the holes in the top of the Base.



### 13 Lock EXTENDATRUNK™ XL

To secure items in the Extendatrunk™ XL, close the tailgate firmly against the Lid Extension and lock it.



## Limited Warranty

We warrant our product to be free from defects in material and workmanship, for the terms specified below, provided there has been normal use and proper maintenance. This warranty applies to the original purchaser only. All remedies under this warranty are limited to the repair or replacement of any item or items found by the factory to be defective within the time period specified.

If you have a warranty claim, first you must call our factory at the number below for instructions. You must retain proof of purchase and submit a copy with any items returned for warranty work. Upon completion of warranty work, if any, we will return the repaired or replaced item or items to you freight prepaid. Damage to our products caused by accidents, fire, vandalism, negligence, misinstallation, misuse, Acts of God, or by defective parts not manufactured by us, is not covered under this warranty.

THE WARRANTY TIME PERIOD IS AS FOLLOWS: ALL "PRODUCTS" MANUFACTURED BY OUR COMPANY: ONE YEAR FROM DATE OF PURCHASE.

ANY IMPLIED WARRANTIES OF MERCHANTABILITY AND/OR FITNESS FOR A PARTICULAR PURPOSE CREATED HEREBY ARE LIMITED IN DURATION TO THE SAME DURATION AND SCOPE AS THE EXPRESS WRITTEN WARRANTY. OUR COMPANY SHALL NOT BE LIABLE FOR ANY INCIDENTAL OR CONSEQUENTIAL DAMAGE.

Some states do not allow limitations on how long an implied warranty lasts, or the exclusion or limitation of incidental or consequential damages, so the above limitations or exclusions may not apply to you.

This warranty gives you specific legal rights, and you may also have other rights which vary from state to state.



For further information or request for warranty work, please contact:  
Bestop Inc. Customer Service  
(800) 845-3567  
(303) 465-1755