



# INSTALLATION INSTRUCTIONS

Drawer Riser Kit part #059 & #068

Please read and fill out the enclosed warranty registration card to activate your warranty.

**For office use only**

Shipping package

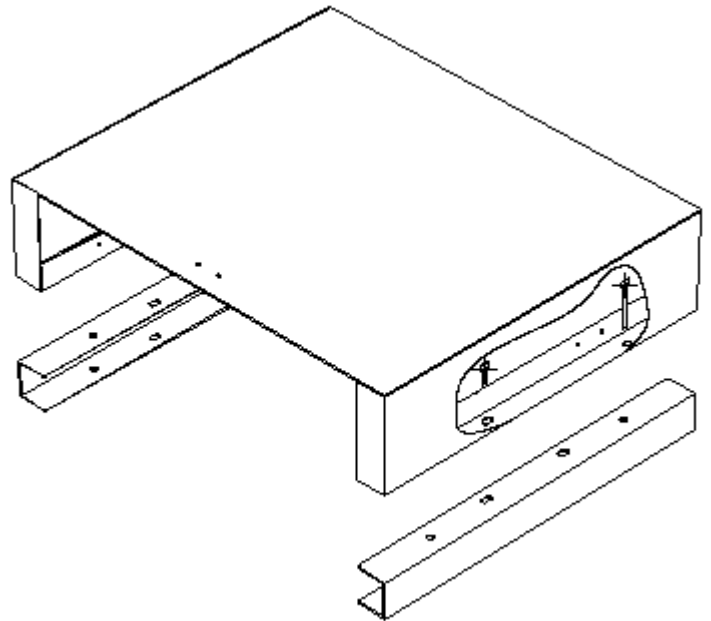
Checked by \_\_\_\_\_

## Shipping Package

- (2) 8mm x 100mm bolts or 170mm
- (2) M8 lock nuts
- (2) 3/8x1" bolts
- (2) 5/16" washers
- (2) 3/8" washers
- (2) 3/8" locknuts

## Mounting Directions

1. Place the drawer on the riser brackets, bolt the drawer and the riser brackets together using the (2)3/8 x 1" bolts supplied. Bolt through the holes toward the opening -see the figure to the right.
2. The long 8mm bolts supplied will go through the drawer, and riser bracket, and through the floor. In a TJ, there is no drilling required, the 8mm bolt goes through the floor and the holes in the side of the drawer line up with the seat belt bracket holes. If drilling is required, mark the appropriate holes with the drawer in place and then remove the drawer and drill. **Warning make sure there is nothing under the vehicle that will be damaged during drilling.**
3. Follow the directions given with your drawer to complete the installation.



Call (970)564-1762 for technical assistance