



TrailMax™ Aqua Sport Reclining High Back Bucket Seat Installation Instructions



For: All Jeep® CJ5s, CJ7s and Wranglers 1976-1995

Part Number: 39327

Jeep® is a registered trademark of Chrysler and
Bestop is not affiliated with Chrysler Corporation.



WARNING

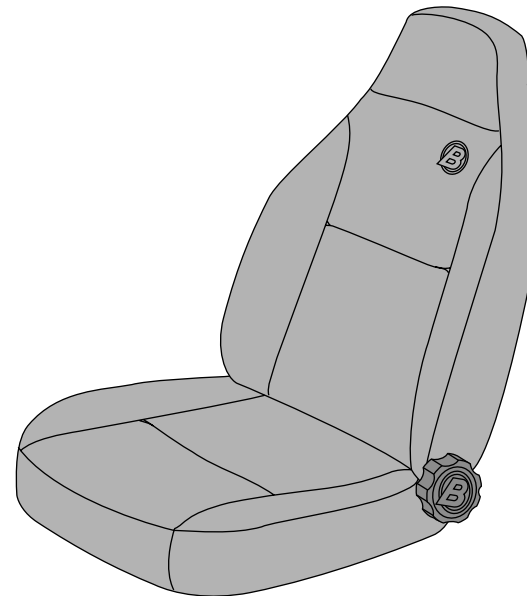
Before you begin installing this seat, please read all installation instructions and warnings thoroughly.

This seat is designed to be used on the model vehicles described above. Use of this seat on any other vehicle or failure to install this seat properly may result in an improperly mounted seat and could result in unexpected movement of the seat and loss of control of the vehicle, thereby placing the occupants of the vehicle and others in a potentially dangerous situation.

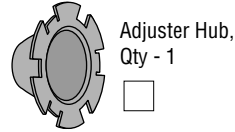
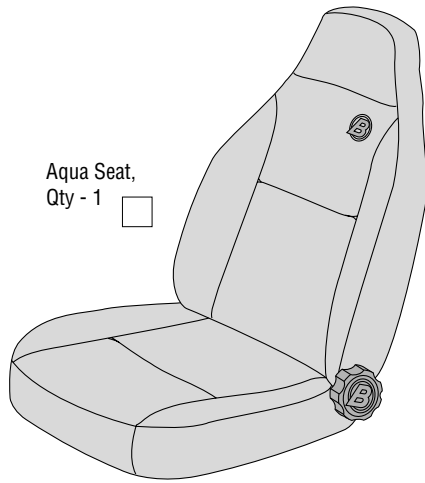
This seat system is intended to be used with seat belts at all times. Do not rely on the seat to maintain the seating position of occupants, in the event of an accident.

WEAR SEAT BELTS AT ALL TIMES

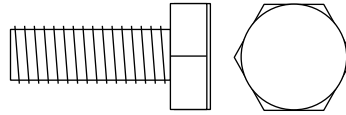
Read and follow, precisely, all installation instructions provided when installing this product. Failure to do so may result in a poor fit and could place occupants of the vehicle in a potentially dangerous situation.



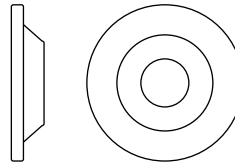
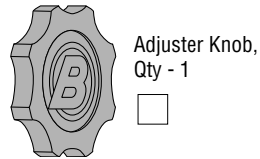
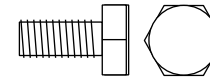
Parts List and Hardware Identification



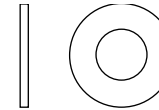
M8-1.25x25 Bolt, Qty - 4, Part Number 312.29



M6x10 Bolt, Qty - 1, Part Number



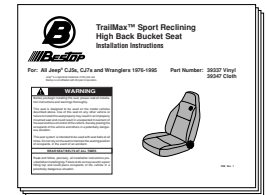
Step Washer, Qty - 1, Part Number



Flat Washer, Qty - 1, Part Number

Tools Needed

10 MM Hex Socket Head
13 MM Hex Socket Head
#30 Torque Wrench
Safety Glasses



Installation Instruction Manual, Qty - 1

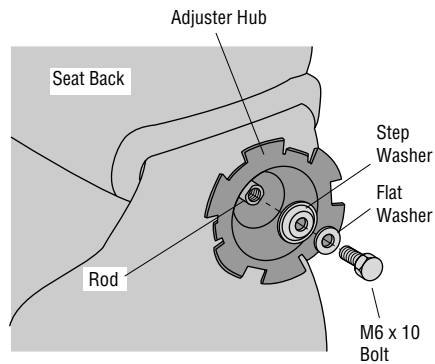
Adjuster Knob Installation

Step One

The Adjuster Knob will be installed on the outboard side of the seat which will be determined by whether the seat will be installed on the driver's side or the passenger side of the vehicle.

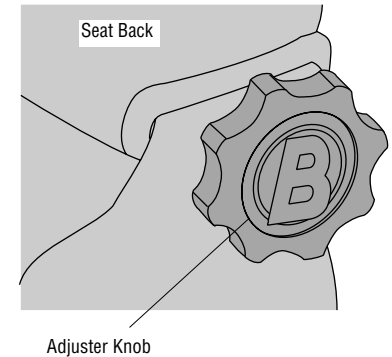
Locate the rod protruding from the bottom of the seat back. Slip the hole in the bottom of the Adjuster Hub over the end of the rod. Place the Step Washer over the end of the rod (inside the hub) with the convex side out. Then slide the Flat Washer over the M6x10 Bolt and thread the bolt into the opening in the rod.

Holding the hub with one hand, use the 10 MM Hex Socket to tighten the bolt.



Step Two

Align the snap on fingers of the Adjuster Knob with the larger notches with the steps on the Adjuster Hub and press the knob onto the hub until it snaps into place.



Aqua Seat Installation



WARNING

The seat is designed to be installed on the original seat riser. DO NOT remove or loosen any of the original seat riser anchor bolts. Doing so may cause improper anchoring of the seat, which could result in serious injury, to you and others.



Caution

Note: Before beginning the seat installation, set the parking brake, place the vehicle in gear or park and chock the wheels to reduce the risk of the vehicle unexpectedly moving, which could result in serious injury.

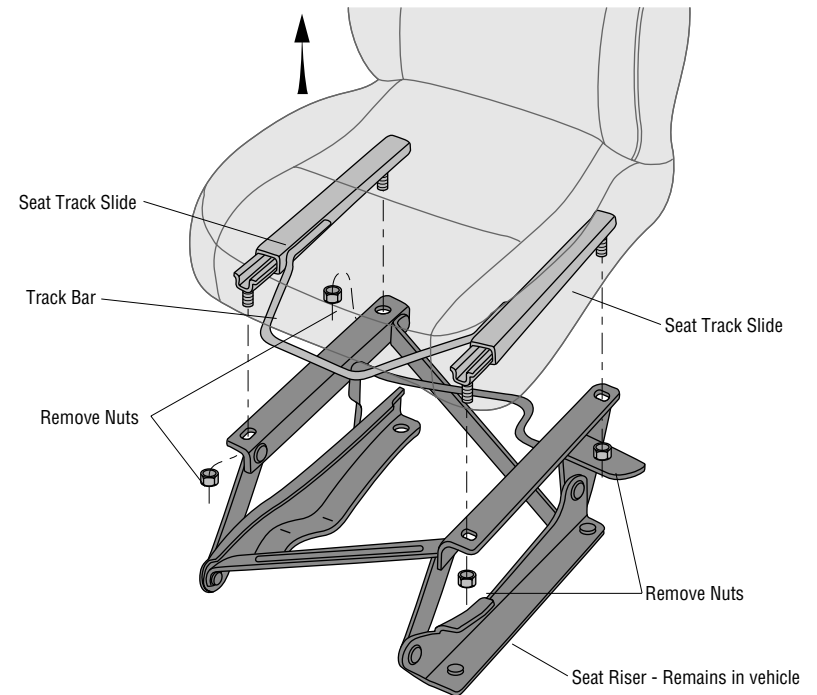
Step One

Remove the existing seat from the vehicle.

Remove the four (4) nuts that mount the seat track slides to the riser. Do not throw away the four (4) nuts since they will be reused.

The nuts are under the ledge on the riser.

Then remove the bucket seat and track slides from the vehicle (the seat riser will remain in the vehicle).





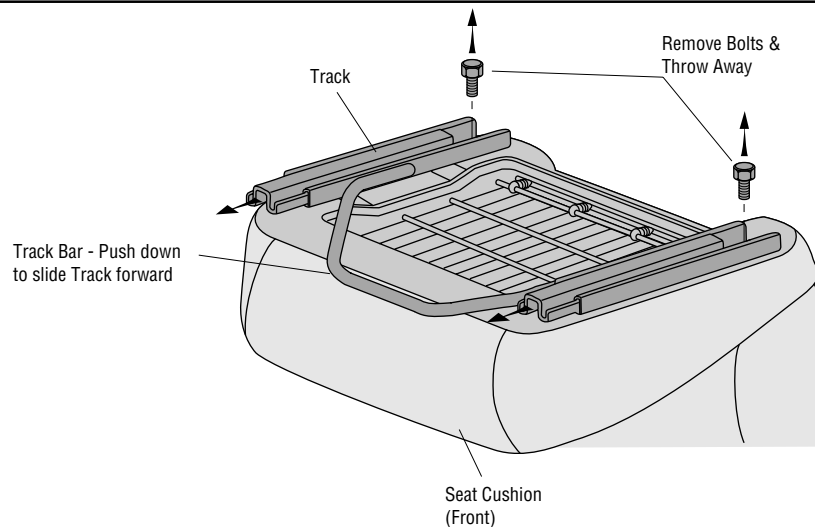
WARNING

DO NOT reuse the original mounting bolts. Reuse of the bolts could cause the seat to loosen, which could result in loss of control of the vehicle, causing bodily injury to the vehicle occupants and to others.

Step Two

Remove the tracks.

Lay the seat down with the bottom side facing up. Push down on the track bar to slide the track forward, allowing access to the rear track mounting bolts. Remove the bolts and discard them.

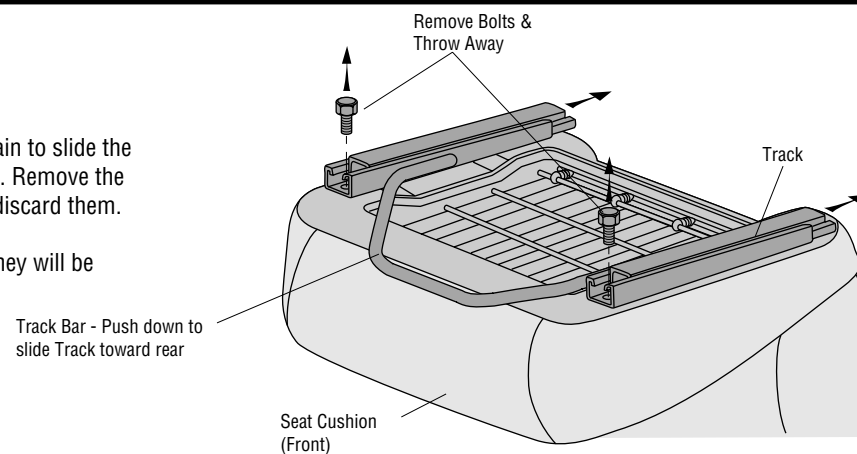


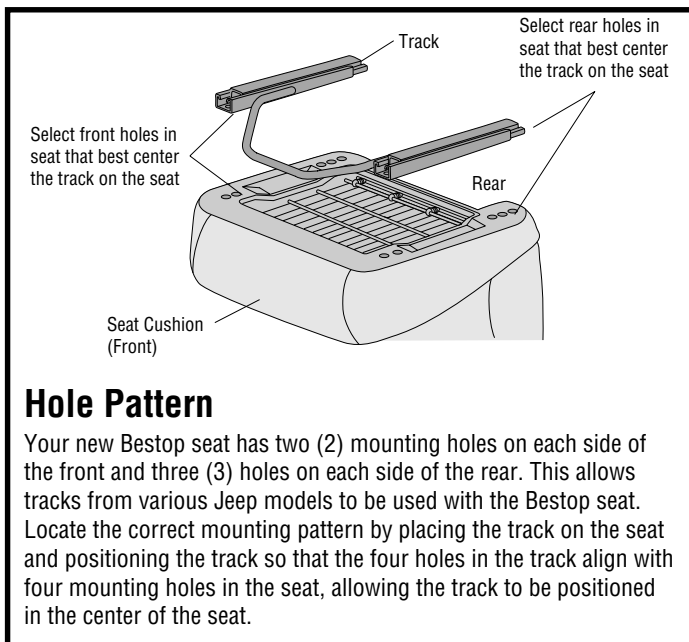
Step Three

Remove the tracks.

Push down on the track bar again to slide the track toward the rear of the seat. Remove the front track mounting bolts and discard them.

Do not throw away the tracks, they will be mounted to the Bestop seat.





WARNING

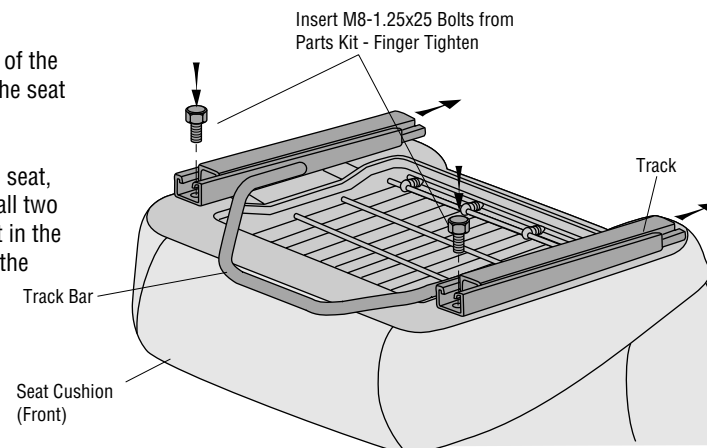
Use only the bolts provided in the Parts Kit when installing the new seat. Failure to do so may cause the seat to loosen, resulting in loss of control of the vehicle and causing serious bodily injury to the vehicle occupants and to others.

Step Four

Install the tracks on the Bestop Seat.

Lay the Bestop seat down with the bottom of the seat facing up. Select the hole pattern on the seat that applies to your vehicle.

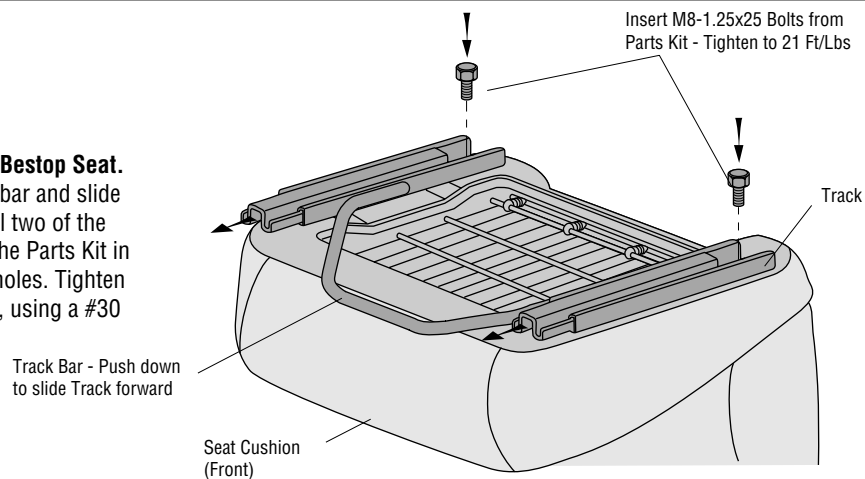
While the track slides are to the rear of the seat, place the tracks onto the Bestop seat. Install two of the M8-1.25x25 Bolts from the Parts Kit in the front track mounting holes. Finger tighten the bolts.



Step Five

Install the tracks on the Bestop Seat.

Press down on the track bar and slide the tracks forward. Install two of the M8-1.25x25 Bolts from the Parts Kit in the rear track mounting holes. Tighten the rear bolts to 21 ft/lbs, using a #30 Torque Wrench.





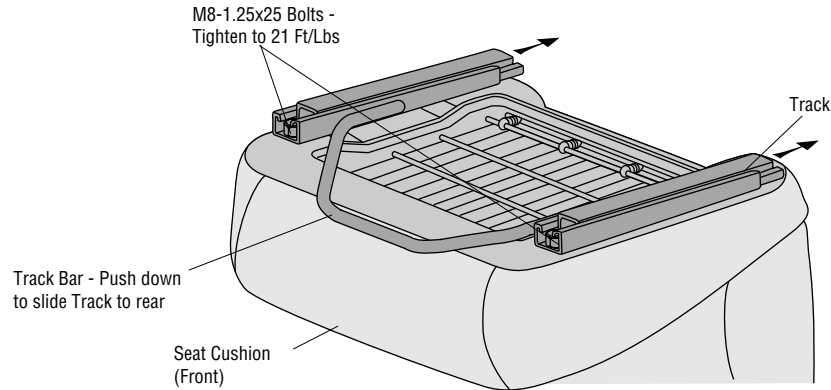
WARNING

Failure to tighten the bolts and nuts to the specified torque can result in the seat loosening, thereby causing serious bodily injury to the vehicle occupants and to others.

Step Six

Tighten the Front Bolts.

Press down on the track bar and slide the tracks toward the rear of the seat. Tighten the front bolts to 21 ft/lbs, using a #30 Torque Wrench.



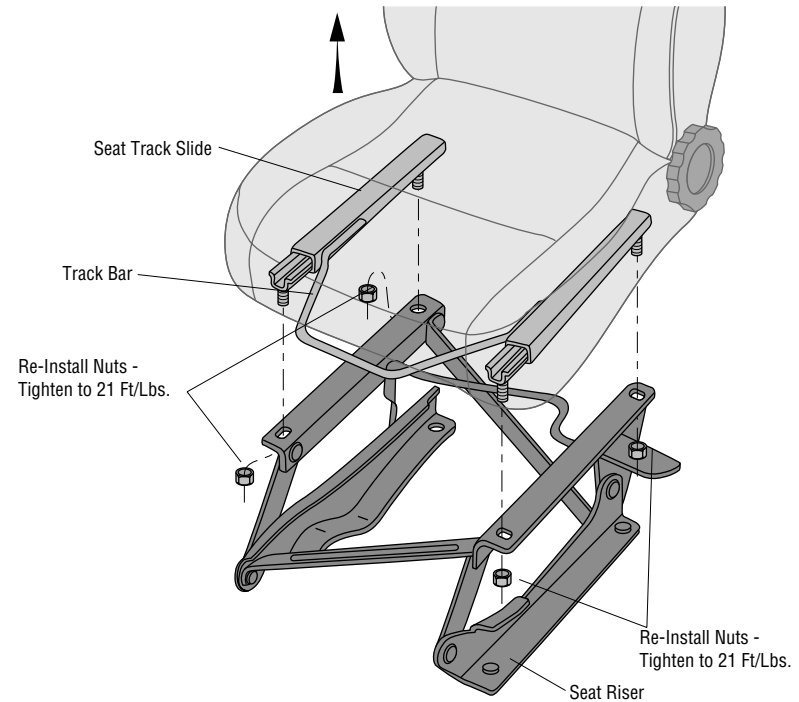
WARNING

Failure to tighten the bolts and nuts to the specified torque can result in the seat loosening, thereby causing serious bodily injury to the vehicle occupants and to others.

Step Seven

Install the Seat in the Vehicle.

Place the seat in the vehicle. Align the studs on the tracks with the holes in the seat riser. Reinstall the four (4) nuts that were removed in Step One on the track studs. Tighten the nuts to 21 ft/lbs, using a #30 Torque Wrench.

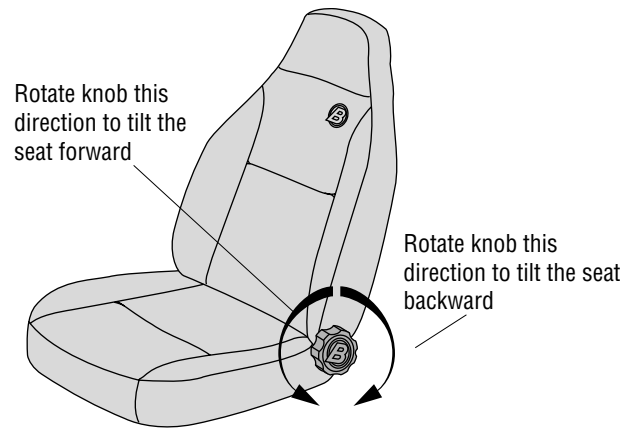




Caution

Tilting the seat back to near horizontal could cause interference to the rear wheel house and may cause damage to the back of the seat.

39227 Recliner Seat Function



WARNING

Never adjust the driver's seat or seat back when the vehicle is moving. You could lose control of the vehicle and injure someone.

This seat system is intended to be used with seat belts at all times. Do not rely on the seat to maintain the seating position of occupants, in the event of an accident.

Always drive and ride with your seat back upright and the lap belt snug across the hips to reduce the risk of serious injury to the abdomen or neck that could be caused by sliding under the seat belts in a collision.

Children should always ride with the seat back in the fully upright position. When the seat back is not fully upright, there is a greater risk that the child will slide under the safety belt and be seriously injured in a collision.

WEAR SEAT BELTS AT ALL TIMES

Care of your Bestop Aqua Seat

Your Bestop Aqua Seat is made of the finest materials available. To keep it looking new and for the maximum possible wear, we recommend the following:

- Washing the Aqua Seat will extend it's life. Hand wash only.
- Washing with a wet suit shampoo specifically designed for neoprene products will clean and condition the seat.
- Wash the seat with a clean lint free cloth, do not use a brush.
- Rinse the seat with fresh water.
- **DO NOT USE PRODUCTS CONTAINING BLEACH.**
- Allow the seat to air dry.
- Prolonged exposure to the sun or ultraviolet light will damage the seat.

LIMITED WARRANTY

We warrant our product to be free from defects in material and workmanship, for terms specified below, provided there has been normal use and proper maintenance. This warranty applies to the original purchaser only. All remedies under this warranty are limited to the repair or replacement of any item or items found by the factory to be defective within the time period specified.

If you have a warranty claim, first you must call our factory at the number below for instructions. You must retain proof of purchase and submit a copy with any items returned for warranty work. Upon completion of warranty work, if any, we will return the repaired or replaced item or items to you freight prepaid. Damage to our products caused by accidents, fire, vandalism, negligence, misinstallation, misuse, Acts of God, or by defective parts not manufactured by us, is not covered under this warranty.

Bestop does not warrant the TrailMax™ Aqua Sport Seat against changes in color, light fastness or fading.

THE WARRANTY TIME PERIOD IS AS FOLLOWS: ALL "SOFT GOODS" MANUFACTURED BY OUR COMPANY (USING PRIMARILY VINYL, PLASTICS, AND/OR FOAM): ONE YEAR FROM DATE OF PURCHASE.

ANY IMPLIED WARRANTIES OF MERCHANTABILITY AND/OR FITNESS FOR A PARTICULAR PURPOSE CREATED HEREBY ARE LIMITED IN DURATION TO THE SAME DURATION AND SCOPE AS THE EXPRESS WRITTEN WARRANTY. OUR COMPANY SHALL NOT BE LIABLE FOR ANY INCIDENTAL OR CONSEQUENTIAL DAMAGE.

Some states do not allow limitations on how long an implied warranty lasts, or the exclusion or limitation of incidental or consequential damages, so the above limitations or exclusions may not apply to you.

This warranty gives you specific legal rights, and you may also have other rights which vary from state to state.

For further information or request for warranty work, please contact:

Bestop Inc.
Customer Service
(800)346-3910
(303)465-1755

