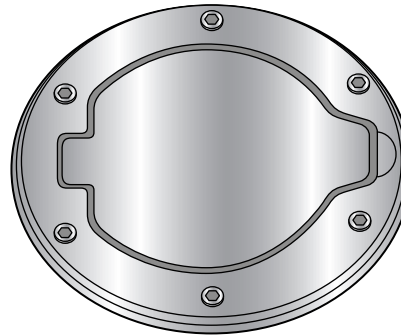




1997 - 2004 TJ Wrangler Fuel Door Installation Instructions

Polished Aluminum
Black

Part Number: 43102-00
Part Number: 43101-01



Installation Tips

Before you begin installing this product, read all instructions thoroughly. Below are a few tips to make this installation easier.

Clean the installation area before installing this product.

Have all necessary tools on hand.



WARNING

This product is designed to enhance the appearance of the vehicle. Do not rely in any way on the components of this product to contain occupants within the vehicle, or to protect against injury or death in the event of an accident. Never operate vehicle in excess of manufacturer's specifications.

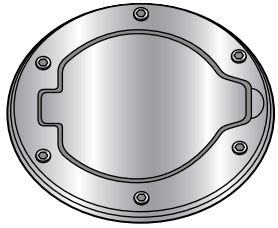
WEAR SEAT BELTS AT ALL TIMES

Read and follow, precisely, all installation instructions provided when installing this product. Failure to do so could place occupants of the vehicle in a potentially dangerous situation. After installing or reinstalling, check to make sure it has been properly installed.

Table of Contents

FUEL DOOR PARTS LIST	PAGE 2
FUEL DOOR TOOLS NEEDED	PAGE 2
FUEL DOOR INSTALLATION	PAGE 2
FUEL DOOR WARRANTY	PAGE 3

Parts List and Hardware Identification



Fuel Door Assembly, Qty - 1



Tools Needed

4mm Allen Wrench
T-25 Torx Wrench
Safety Glasses

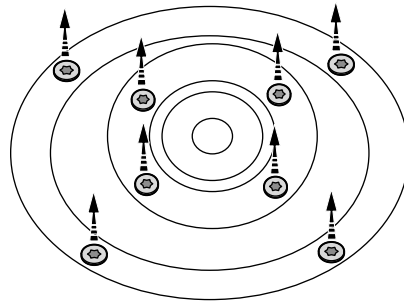
Installation

Step One

REMOVE ORIGINAL FUEL CUP

Unscrew the gas cap from the fuel filler neck. Use a T-25 Torx Wrench to remove the four screws around the filler neck and the four screws around the outside of the cup. Set these screws aside to be used to install the new fuel cup. Remove the fuel cup from the vehicle.

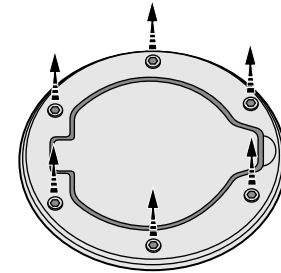
Remove T-25 Torx Screws



Step Two

REMOVE THE FUEL DOOR FROM THE REPLACEMENT FUEL CUP

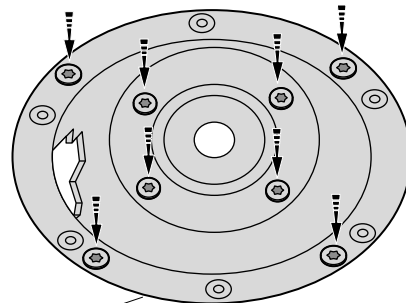
Use a 4mm Allen Wrench to remove the six (6) bolts that attach the Fuel Door to the replacement plastic cup. Make sure that the six (6) hex nuts on the back of the assembly remain in place. Set the bolts aside to be used later.



Step Three

INSTALL THE REPLACEMENT FUEL CUP

Slide the filler neck on the Replacement Fuel Cup into the filler hole. Reinstall the eight (8) screws that were removed in Step One (four (4) around the filler neck and four (4) around the outside of the cup).

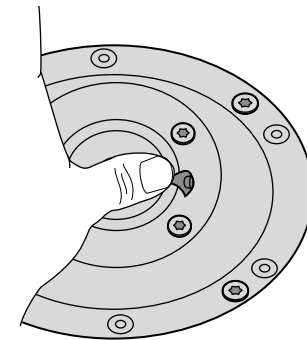


Replacement Fuel Cup

Step Four

INSTALL GAS CAP TETHER

Remove the gas cap tether from the old fuel cup. Push your thumb between the tether and the cup until it comes free. Then push the tether into the mounting hole in the new fuel cap. Screw the gas cap onto the filler neck.





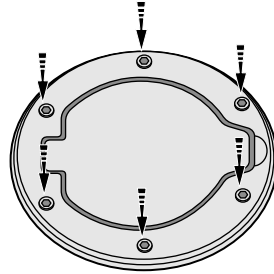
Caution

DO NOT overtighten the bolts. This could cause damage to the Fuel Door.

Step Five

INSTALL FUEL DOOR

Reinstall the Aluminum Fuel Door using the six (6) bolts that were removed in Step Two. Tighten each bolt to 20 in./lbs. (2.25 Nm).



Step Six

FINAL INSPECTIONS

Check all the bolts/screws that were removed to make sure that they are tight.
Check that the door functions properly.
Make sure that the fuel cap tether is properly secured in the mounting hole.

LIMITED WARRANTY

We warrant our product to be free from defects in material and workmanship, for terms specified below, provided there has been normal use and proper maintenance. This warranty applies to the original purchaser only. All remedies under this warranty are limited to the repair or replacement of any item or items found by the factory to be defective within the time period specified.

If you have a warranty claim, first you must call our factory at the number below for instructions. You must retain proof of purchase and submit a copy with any items returned for warranty work. Upon completion of warranty work, if any, we will return the repaired or replaced item or items to you freight prepaid. Damage to our products caused by accidents, fire, vandalism, negligence, misinstallation, misuse, Acts of God, or by defective parts not manufactured by us, is not covered under this warranty.

THE WARRANTY TIME PERIOD IS AS FOLLOWS: ALL "HARD GOODS" MANUFACTURED BY OUR COMPANY (USING PRIMARILY VINYL, PLASTICS, AND/OR FOAM): ONE YEAR FROM DATE OF PURCHASE.

ANY IMPLIED WARRANTIES OF MERCHANTABILITY AND/OR FITNESS FOR A PARTICULAR PURPOSE CREATED HEREBY ARE LIMITED IN DURATION TO THE SAME DURATION AND SCOPE AS THE EXPRESS WRITTEN WARRANTY. OUR COMPANY SHALL NOT BE LIABLE FOR ANY INCIDENTAL OR CONSEQUENTIAL DAMAGE.

Some states do not allow limitations on how long an implied warranty lasts, or the exclusion or limitation of incidental or consequential damages, so the above limitations or exclusions may not apply to you.

This warranty gives you specific legal rights, and you may also have other rights which vary from state to state.

For further information or request for warranty work, please contact:

Bestop Inc.
Customer Service
(800)346-3910
(303)465-1755