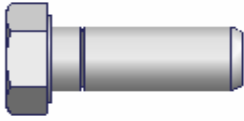


INSTALLATION INSTRUCTIONS

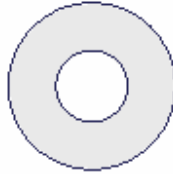
REAR CARGO STORAGE BOX #054

Please read and fill out the enclosed warranty registration card to activate your warranty.

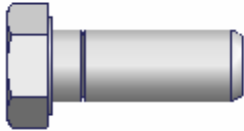
PARTS CHECKLIST



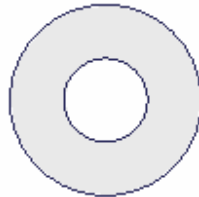
(2) 8MM X 25MM METRIC BOLTS



(2) 5/16 WASHERS



(2) 3/8 X 1 BOLTS



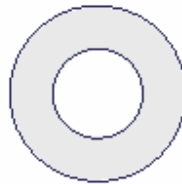
(4) 3/8 WASHERS



(2) 3/8 NYLOCK NUTS



(2) 7/16 x 1 1/4 BOLTS



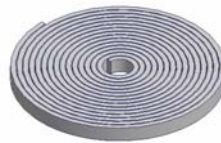
(4) 7/16 WASHERS



(2) 7/16 NYLOCK NUTS



(4) 10 MM X 35MM METRIC BOLT



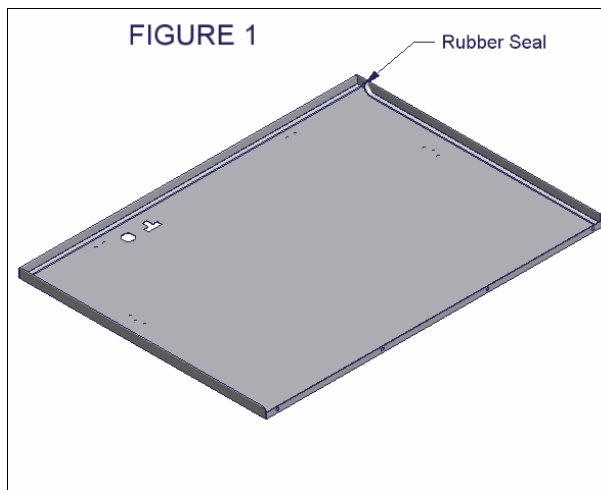
RUBBER SEAL

PLEASE READ ALL INSTRUCTIONS THOROUGHLY BEFORE STARTING INSTALLATION.

ATTENTION!

- In some vehicles as a result of mounting the box on an uneven surface the lid may be offset and will not close properly after the box is bolted down. To correct this, a spacer (not included) will need to be placed under the corner of the box to compensate for the uneven mounting surface.
- It is recommended to use silicone sealant in any drilled holes to prevent any future rusting.

1. Install rubber seal on lid. (SEE FIGURE 1)
2. Skip to the mounting instructions that apply to the vehicle which the cargo box will be mounted in.



CJ-7 (1976-1986) MOUNTING INSTRUCTIONS

1. Take out rear seat by removing seat-mounting bolts on the two front seat brackets and along the back seat mounting bracket.
2. Place cargo box in Jeep bed.
3. Using the (2) 7/16 x 1 ¼ bolts and washers secure the cargo box down through mounting holes 3 and 5. (SEE FIGURE 2)

WARNING!

Make sure that there is nothing under the vehicle that will be damaged by the drill bit when drilling.

4. If additional stability is required, mark (2) holes on the floor corresponding with holes 1 and 2. Remove cargo box. Drill (2) ½" holes corresponding with mounting holes 1 and 2 and secure with (2) 3/8 x 1 bolts, (2) nuts, and (4) washers. (SEE FIGURE 2)

WRANGLER YJ (1987-1995) MOUNTING INSTRUCTIONS

1. Take out the rear seat by removing the seat-mounting bolts on the two front seat brackets.
2. Remove all of the seat belt hardware including hardware on the side-walls for the seat belt harnesses if applicable.
3. Remove both catches for the fold and tumble seats on the side-walls
4. Place cargo box in the Jeep bed
5. Using the (1) 7/16 x 1 ¼ bolt and washer secure the cargo box down through mounting hole 4. (SEE FIGURE 2)

WARNING!

Make sure that there is nothing under the vehicle that will be damaged by the drill bit when drilling.

6. Mark (2) holes on the floor corresponding with holes 1 and 2. Remove cargo box. Drill (2) ½" holes corresponding with mounting holes 1 and 2 and secure with (2) 3/8 x 1 bolts, (2) nuts, and (4) washers. (SEE FIGURE 2)

WRANGLER TJ (1997-2002) MOUNTING INSTRUCTIONS

1. Take out the rear seat by removing the seat-mounting bolts on the two front seat brackets.
2. Remove all seat belt hardware including the hardware on the side-walls for the seat belt harnesses.
3. Remove both catches for the fold and tumble seats on the side-walls
4. Place cargo box in the Jeep bed
5. Using the (1) 7/16 x 1 ¼ bolt and washer secure the cargo box down through mounting hole 4. (SEE FIGURE 2)
6. Using the (2) 8mm metric bolts and 5/16 washers secure the cargo box down through mounting holes 1 and 2. (SEE FIGURE 2)

WRANGLER TJ (2003 – 2006) MOUNTING INSTRUCTIONS

7. Take out the rear seat.
8. Remove the (4) mounting brackets which the seat was mounted and latched to.
9. Remove all seat belt hardware including the hardware on the side-walls for the seat belt harnesses.
10. Place the cargo box in the Jeep bed.
11. Using (4) 10mm x 35mm metric bolts and (4) 3/8" washers fasten the cargo box down through holes 1, 2, 3, and 5. (SEE FIGURE 2)
12. The original center seat belt bolt could also be used in hole 4. (SEE FIGURE 2)

WRANGLER JK (2007 – CURRENT) 2 & 4 DOOR MOUNTING INSTRUCTIONS

13. Take out the rear seat on 2 door model.
14. Remove the factory floor storage cover. Place the cargo box in the Jeep bed. Position the cargo box as far toward the drivers side as possible and just in front of the jack access opening on the flat portion of the Jeep bed.
15. Mark the (2) spots in the vehicle under holes #8 and 9 using the cargo box as a template for drilling. (SEE FIGURE 2)

WARNING!

Make sure that there is nothing under the vehicle that will be damaged by the drill bit when drilling.

16. Remove the cargo box and drill out the (2) marked spots with a ½" drill bit.
17. Using (2) 3/8" x 1" bolts, (2) 3/8" nuts and (4) 3/8" washers fasten the cargo box down through holes 8 and 9. (SEE FIGURE 2)

GENERAL MOUNTING INSTRUCTIONS

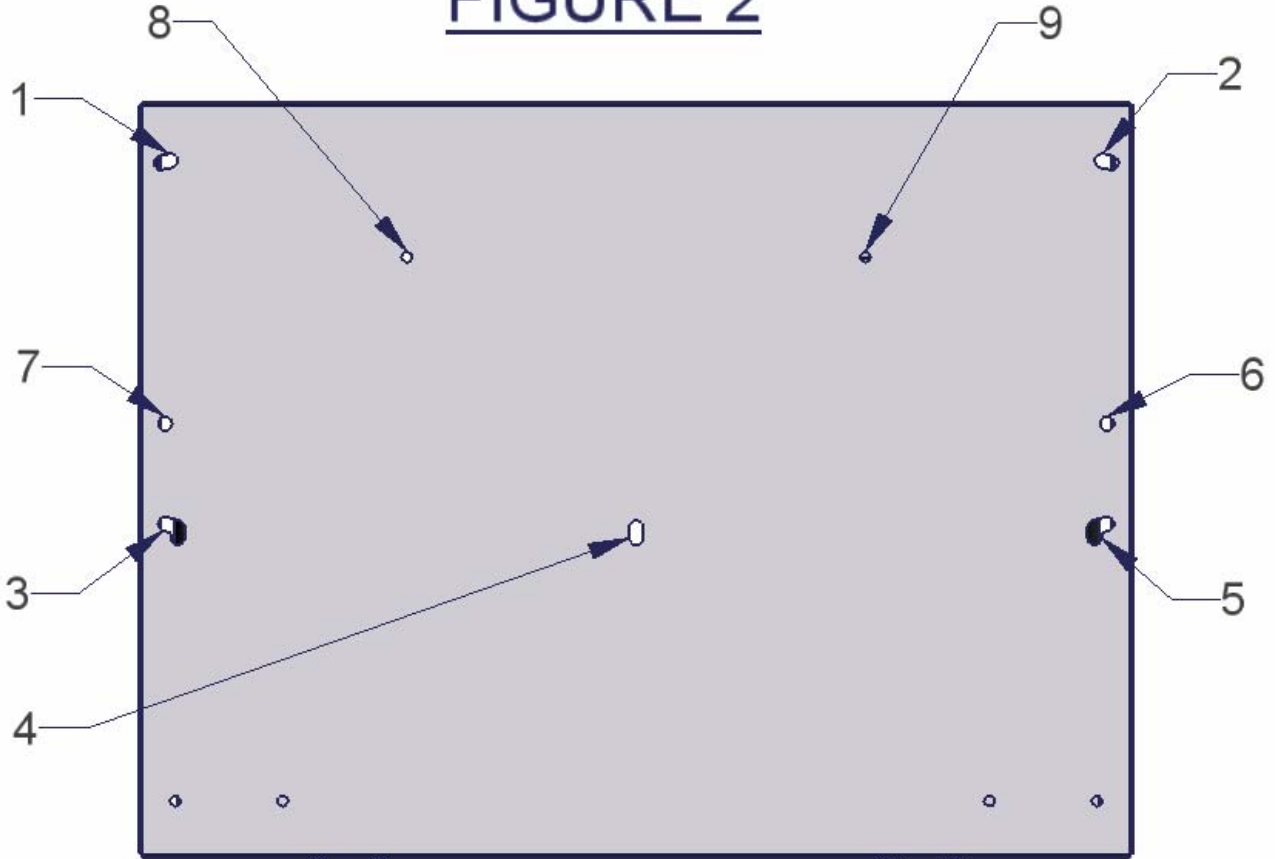
1. Place cargo box in the bed.
2. Mark any (4) holes for drilling using the box mounting holes 1 through 5 as a template. (Select the holes that will not interfere with anything under the vehicle and will be easy to access with the wrenches.) (SEE FIGURE 2)

WARNING!

Make sure that there is nothing under the vehicle that will be damaged by the drill bit when drilling.

3. Remove cargo box and drill out the (4) marked holes with a ½" drill bit.
4. Secure the cargo box down using both (2) 7/16 x 1 ¼ bolts, (2) 7/16 nuts, (4) washers and also (2) 3/8 x 1 bolts, (2) nuts, and (4) washers in any combination.

FIGURE 2



ATTENTION:

FREQUENT LUBRICATION IS NECESSARY ON THE LOCKING SYSTEM

The pushbutton lock contains an “O” ring seal to protect the interior from dust and water. If this mechanism is not lubricated regularly it will become difficult to operate and it may not return to its home position preventing the key from operating the lock. If this happens simply pull up on the pushbutton to manually bring it back to its home position. Lubricate the pushbutton with a light lubricant such as silicone spray. The pushbutton may have to be periodically disassembled and cleaned.

Call (970) 564-1762 for Technical Support