



INSTALLATION INSTRUCTIONS

DIVIDER KITS #133 FOR PART #131

For office use only

- (2) Full width dividers
- (2) Small dividers
- Assembly Instructions
- Warranty card
- Shipping package

Checked by _____

Please read and fill out the enclosed warranty registration card to activate your warranty.

HARDWARE PACKAGE

(16) 10-32 Nylock Nuts

(16) 10-32x1/2" Screws

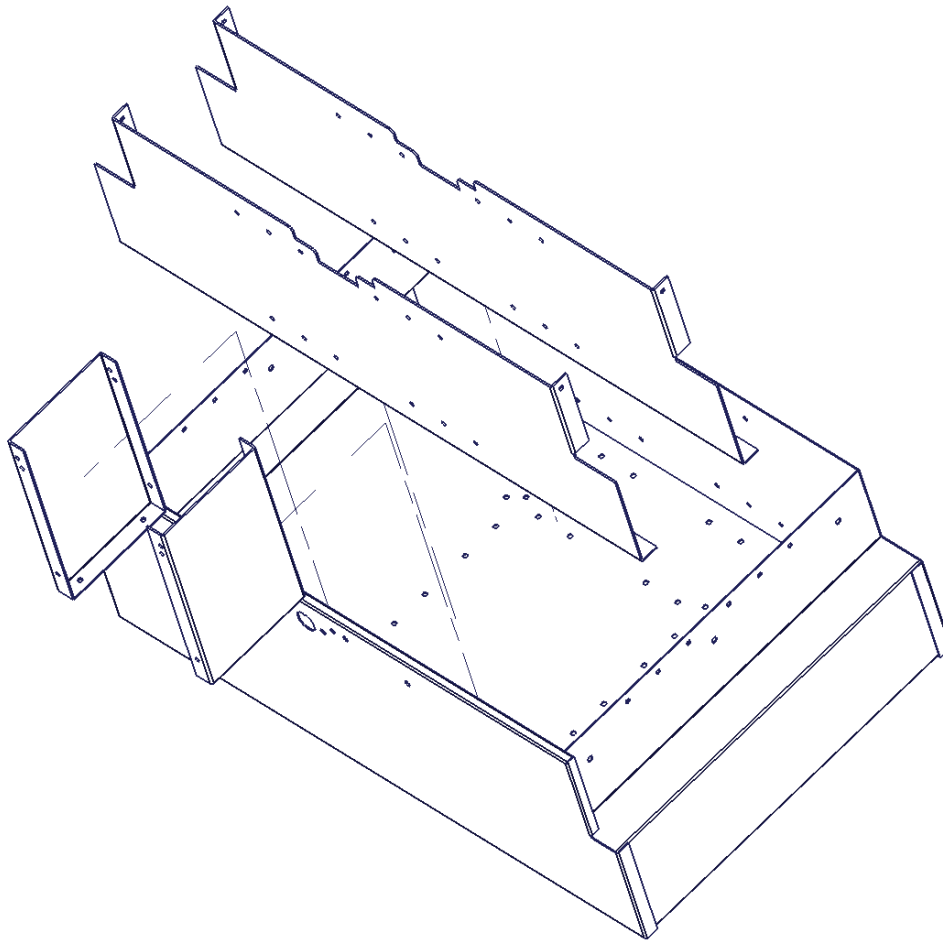
(16) #10 Washers

TOOLS AND SUPPLIES NEEDED

- 5/16" Nut driver, 5/16" Socket and ratchet, or wrench
- 3/8" Nut driver or 3/8" wrench

INSTALLATION

1. Mount the dividers using 10-32x1/2" Screws, nuts, and washers. Use (4) screws for each divider. Insert the screws from the outside. The illustration shows the standard mounting arrangement. A variety of other options are possible.



For technical support call 1-970-564-1762