



**Installation Instructions**

**OFF ROAD RACK SYSTEM**

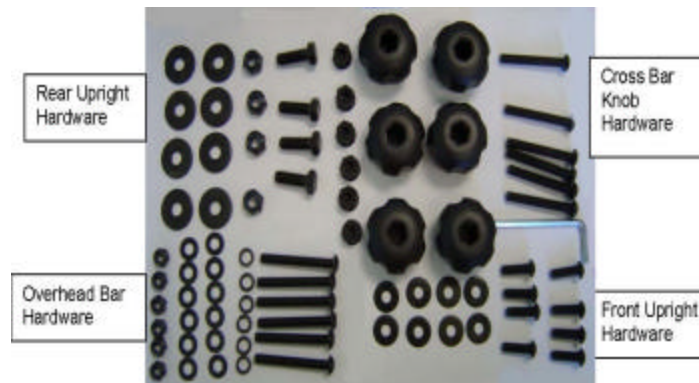
**87-06 TJ WRANGLER (2door)**

**PART# (11701.01) AND (11701.02)**

**NOTE: Not for use with Wrangler Unlimited**

**Note:** Please read this information completely before proceeding with installation. To obtain correct fitment, we recommend you follow these step-by-step instructions carefully. Please take care when installing this product to protect the finish of your vehicle and rack.

- Included Hardware:**
- |   |  |
|---|--|
| (2) Front Rack Uprights                           | (4) 3/8" x 1" Bolts (Rear)             |
| (4) Front Upright Gaskets                         | (8) 1 1/4" Fender Washers (Rear)       |
| (2) Front Overhead Bars (Straight)                | (4) 3/8" Lock Nuts (Rear)              |
| (2) Front Overhead Bars (Curved)                  | (6) Crossbar Knobs                     |
| (2) Rear Uprights                                 | (6) Crossbar Knob Rubber Plugs         |
| (3) Cross Bars                                    | (6) 1/4" x 3 3/8" Knob Bolts           |
| (6) Cross Bar Gaskets                             | (1) Allen Key                          |
| (8) 3/4" Flat Washers (Front Uprights)            | (2) 1" Body Lift Spacers (Optional)    |
| (8) 1/4/20 Allen Head Bolts (Front Uprights)      | (2) 2" Body Lift Spacers (Optional)    |
| (6) 1/4/20 x 2.5 Allen Head Bolts (Overhead bars) | (2) 3" Body Lift Spacers (Optional)    |
| (6) 3/8" Lock Washers (Overhead Bars)             | (12) 1/2" Flat Washers (Overhead Bars) |
| (6) 1/4" x 20 Lock Nuts (Overhead Bars)           |  |



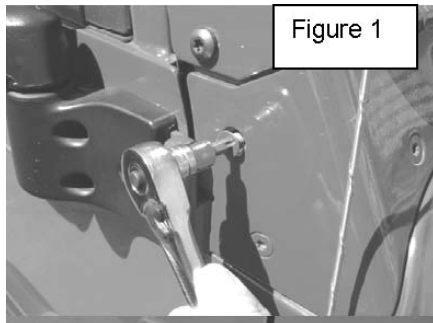


**WE RECOMMEND THAT TWO PEOPLE INSTALL THE OFF ROAD RACK. SEVERAL STEPS REQUIRE A SECOND PERSON TO MAKE THE INSTALLATION EASIER.**

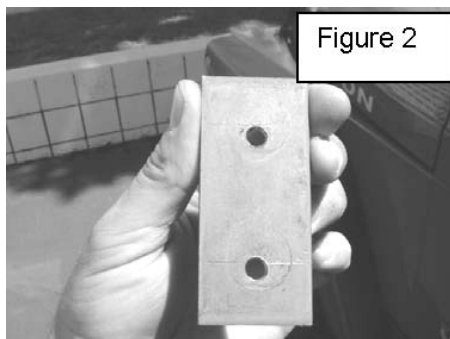
**Important: You are going to have to remove the bolts from your door hinge. DO NOT OPEN DOOR WHILE THE BOLTS ARE REMOVED!!! YOUR DOOR WILL GO OUT OF ALIGNMENT.**

**Front Uprights: Installation Instructions**

- (1) Place the adhesive backed gaskets on the front uprights to protect the vehicle from scratches.
- (2) Remove the factory windshield hinge and lower door hinge bolts (ONLY WORK ON ONE DOOR AT A TIME). It is important that you can enter the Jeep® through the opposite door to tighten the lower door hinge without the door moving. (Fig. 1). Note that image is for 1997-2006 TJ's. 1987 – 1995 YJ's mount in the same general location except that the side bars mount to the front of the windshield hinge rather than the side as shown.

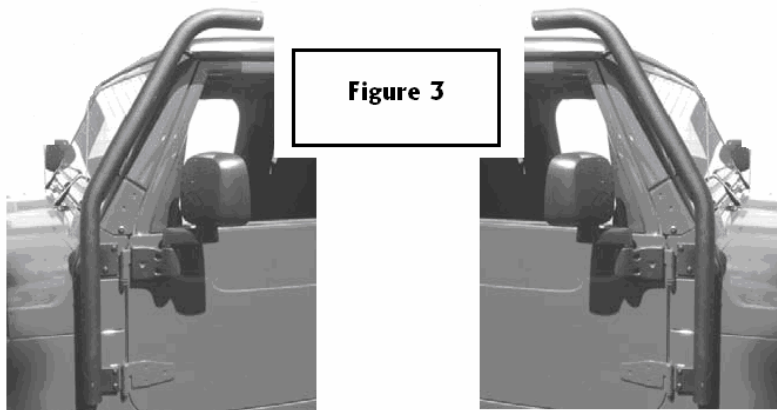


- (3) When you remove the lower door hinge a backing plate (Fig.2) will come loose. Enter the Jeep® from the opposite side to access the plate. You will need it in step #4. This step is the same for both TJ's and YJ's.

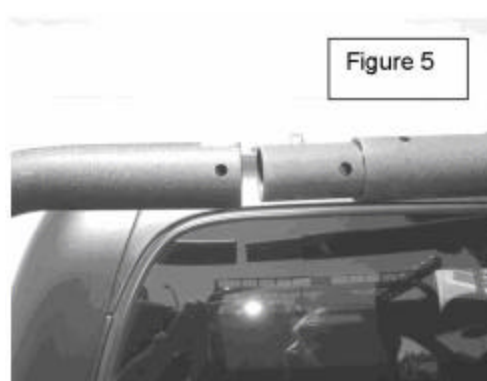
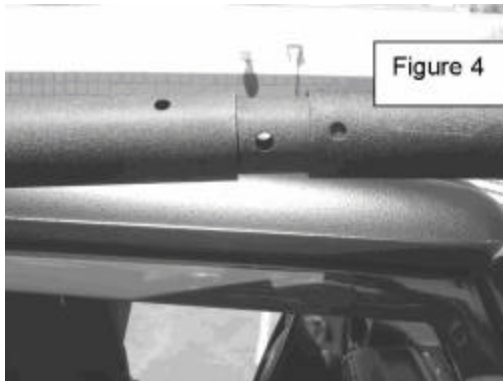




- (4) Using the supplied front upright  $\frac{1}{4}$  x 20 Allen head bolt and a  $\frac{3}{4}$ " flat washer, attach the front upright to the Jeep®. You will need a partner to place the factory backing plate (Fig.2) into the lower door hinge in location before the lower door bolts are attached (**DO NOT OPEN THE DOOR YOU ARE WORKING ON! ENTER FROM THE OTHER SIDE!!**). Tighten the bolts for the upright and repeat the process for the other side. (Fig.3). Note: Images of are for 1997 – 2006 TJ's. Location of the front bars will be the same for the 1987-1995 YJ except that the upper mount attaches to the front of the windshield hinge.



- (5) Remove the factory rear bumper and bolts.  
(6) Insert the bolts with flat washers through the rear bumper. Do not install the nuts at this time. Just use the bolts to hold the bumper back in place.  
(7) Insert the front overhead bar (straight bar) into the front upright. Insert a  $\frac{1}{4}$ /20 x 2.5" Allen head bolt with flat washer, through the bar and upright. Then place another flat washer, lock washer and lock nut on the bar. **DO NOT TIGHTEN.** Have an assistant hold the bar in place for steps #8 and #9 (Scratches to the vehicles paint could result if an assistant is not used). (Fig.4)



- (8) Repeat step 5 for the rear overhead bar (curved bar) **DO NOT TIGHTEN.** (Fig.5)



- (9) Insert the rear upright into the rear overhead bar. Position the rear upright on the backside of the bumper bolts. Install a flat washer and locking nut on the rear upright bolt. **DO NOT TIGHTEN.** Install the 1/4/20 x 2.5" Allen head bolt with a flat washer, through the upright as in steps #7 and #8. **DO NOT TIGHTEN.** (Fig.6). This step is the same for both TJ's and YJ's.

Note: image of 1997-2007 TJ



**Figure 6 – Uprights installed, DO NOT TIGHTEN.**

**Important, do not tighten until the cross bars are installed.**

- (10) Option – Body Lift Spacers – If your vehicle has a body lift use the spacers to separate the lower upright from the rear overhead bar. 1" – 2" – and 3" spacers are provided.
- (11) Repeat steps #7 - #9 for the opposite side.
- (12) Locate the front cross bar (shorter) and install foam gasket to the crossbar ends.
- (13) Place the front cross bar on the upright. Insert the 1/4" x 3 3/8" knob bolt through the cross bar. Tighten the bolt with plastic cross bar knob and Allen key supplied. (Fig.7) Repeat on opposite side. It may be necessary for an assistant to put pressure on the uprights to get them in the proper location for the cross bars to attach. (Fig.8) Repeat the cross bar step for the middle and rear cross bars.
- (14) **TIGHTEN ALL BOLTS AT THIS TIME.** After a few days driving with the rack installed check all bolts for proper tightness. If loose, retighten.

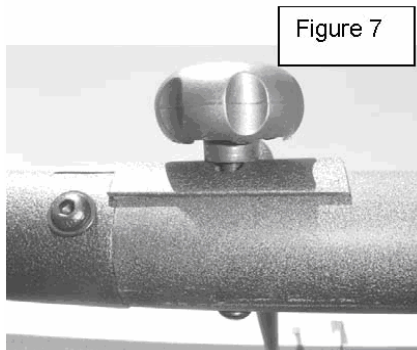


Figure 7



Figure 8



**LIMITED 90 DAY WARRANTY**  
**Applies to Rugged Ridge by Omix-ada Inc. Products**

Rugged Ridge Off Road (the Company) warrants to the original purchaser of this product that should the product or any part thereof, under normal use and conditions, be proven defective in material or workmanship within 90 DAYS from the date of original purchase, such defect(s) will be repaired or replaced or credited at the Company's sole option.

To obtain repair or replacement within the terms of this Warranty, the product is to be delivered with proof of warranty coverage (e.g. Dated bill of sale), specification of defect(s) to the place of purchase or, with prior approval from the Company (Return Authorization Number is required), freight pre-paid to the Company address listed below.

This warranty does not apply to any product or part thereof which, in the opinion of the Company, has suffered or been damaged through alteration, improper installation, mishandling, misuse, neglect, accident or by acts of nature. THE EXTENT OF THE COMPANY'S LIABILITY UNDER THIS WARRANTY IS LIMITED TO THE REPAIR OR REPLACEMENT PROVIDED ABOVE AND, IN NO EVENT, SHALL THE COMPANY'S LIABILITY EXCEED THE PURCHASE PRICE PAID BY PURCHASER FOR THE PRODUCT.

This Warranty is in lieu of all express warranties or liabilities. ANY IMPLIED WARRANTIES, INCLUDING ANY IMPLIED WARRANTY OF MERCHANTABILITY, SHALL BE LIMITED TO THE DURATION OF THIS WRITTEN WARRANTY. ANY ACTION FOR BREACH OF ANY WARRANTY HEREUNDER INCLUDING ANY IMPLIED WARRANTY OF MERCHANTABILITY MUST BE BROUGHT WITHIN THE PERIOD OF 90 DAYS FROM DATE OF ORIGINAL PURCHASE.

IN NO CASE SHALL THE COMPANY BE LIABLE FOR ANY CONSEQUENTIAL OR INCIDENTAL DAMAGES FOR BREACH OF THIS OR ANY OTHER WARRANTY, EXPRESS OR IMPLIED, WHATSOEVER. No person or representative is authorized to assume for the Company any liability other than expressed herein in connection with the sale of this product.

Some States do not allow limitations on how long an implied warranty lasts or the exclusion or limitation of incidental or consequential damage, so the above limitations may not apply to you. This warranty gives you specific legal rights and you may also have other rights, which vary from state to state.

Omix-ada Inc.  
460 Horizon Dr. Suite 400  
Suwanee, Georgia 30024