

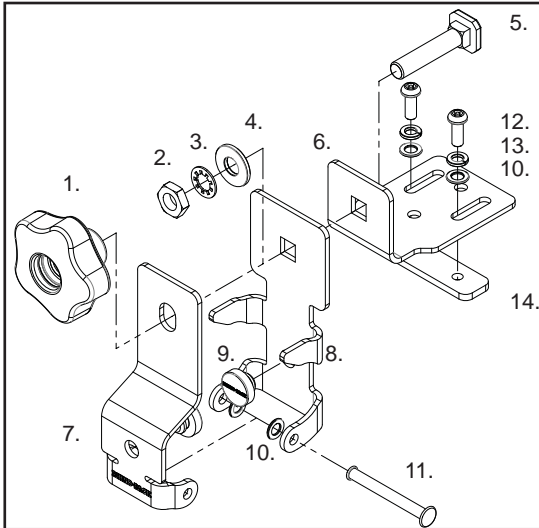


RHINO-RACK

43218 Shovel Holder Bracket

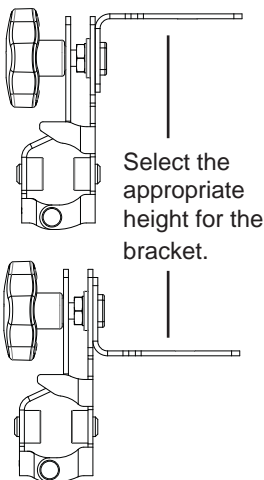
Important: Please read these instructions carefully prior to installation. Please refer to your fitting instruction to ensure that the Roof Rack System is installed in the correct location. Check the contents of kit before commencing fitment and report any discrepancies.

Recommendations: Always check shovel is secure and turn knob is tight before driving. Check hinge plate does not contact vehicle, otherwise change orientation. Locking cables 43205, 43206 are recommended.

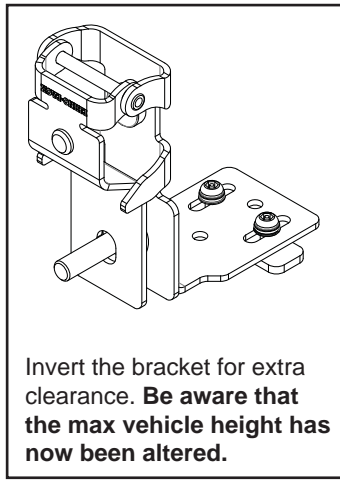


Item	Component Name	Qty	Part No.
1	M10 Turn Knob	2	M874
2	M10 Half Nut	2	N064
3	M10 Shake Proof Washer	2	W021
4	M10x24mm Flat Washer	2	W018
5	M10x50mm Cup Head Bolt (sqr)	2	-
6	Mounting Bracket 1	2	-
7	Hinge Plate 2	2	-
8	Hinge Plate 1	2	-
9	Button Bumper	4	M903
10	M6x16mm Flat Washer	8	W031
11	Hinge Pin x 56mm	2	-
12	M6x16mm Security Screw	4	B061
13	M6 Spring Washer	4	W004
14	Plate Nut	2	C593
15	Allen Key	1	H021
16	Instructions	1	R1224

1 Before installing the brackets, decide on the orientation that would best suit your needs. The bracket can be set to sit higher or lower on the platform or crossbars. The bracket can also be inverted to sit above the platform or crossbars.

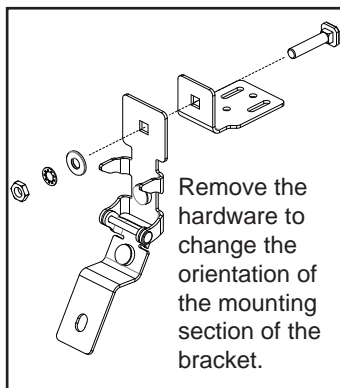
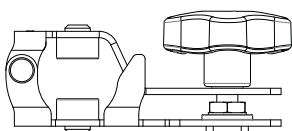


Select the appropriate height for the bracket.



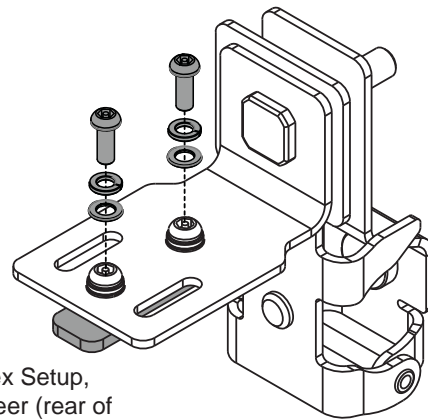
Invert the bracket for extra clearance. **Be aware that the max vehicle height has now been altered.**

Mounting bracket 1 can be removed and the assembly mounted in a flat position.

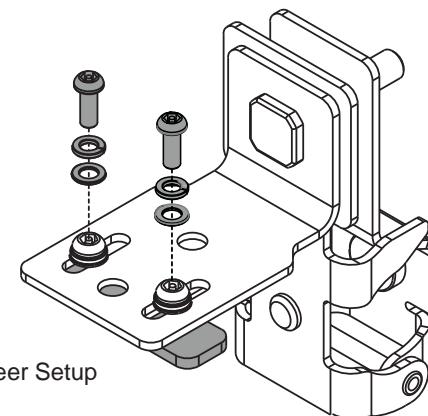


Remove the hardware to change the orientation of the mounting section of the bracket.

2 Install the mounting hardware to the bracket. Finger tighten at this stage.



Vortex Setup, Pioneer (rear of tray/ platform)

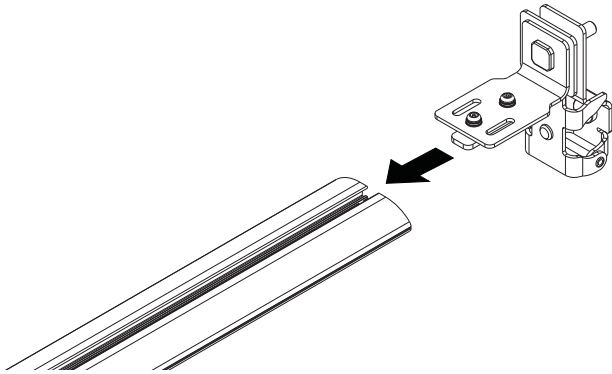


Pioneer Setup

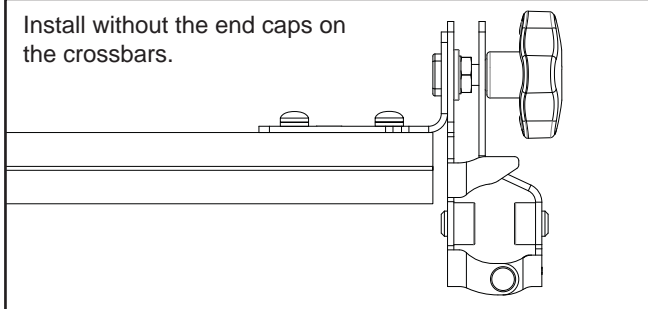


43218 Shovel Holder Bracket

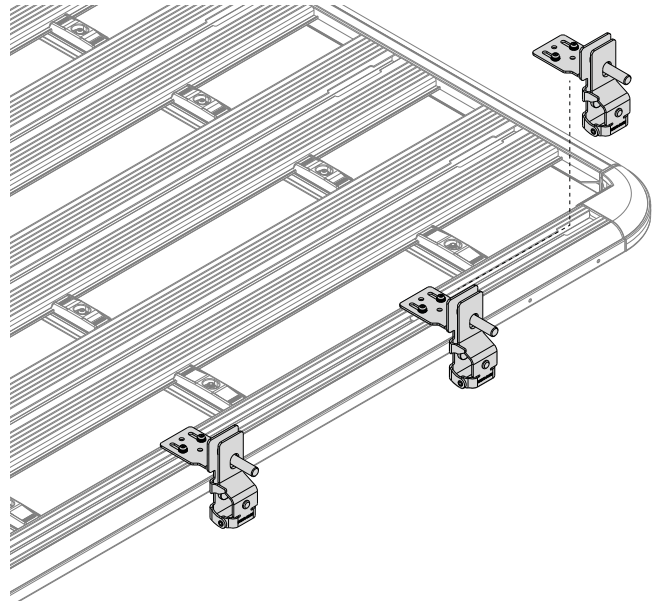
- 3a** For vortex fitments, slide the assembly into the 'c' channel of the crossbar. Tighten in place with the allen key provided.



Install without the end caps on the crossbars.

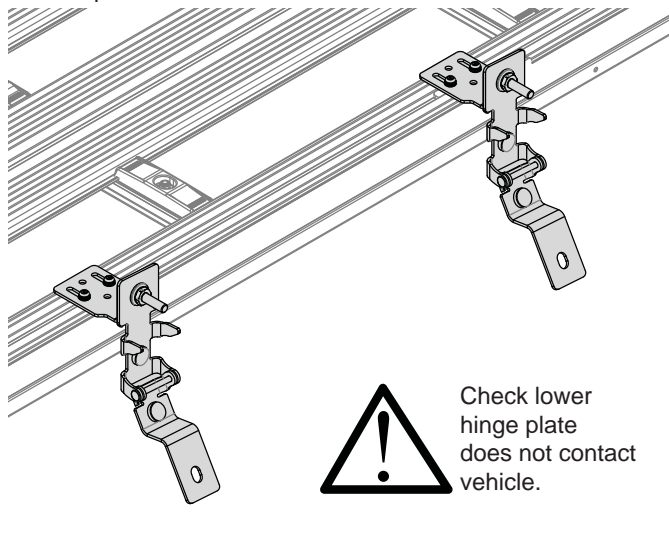


- 3b** For Pioneer fitments, Slide two assemblies on either side of the pioneer platform. Measure the handle of the shovel and space the brackets at the appropriate spacing. Tighten in place with the allen key provided.

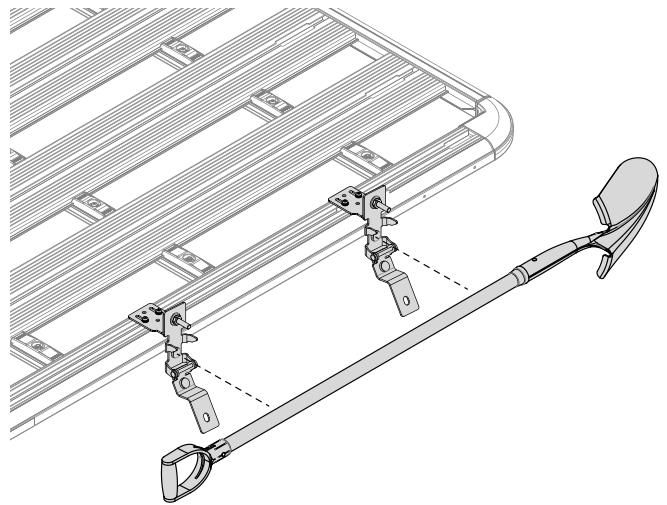


Note: The following steps will show pioneer setup only. Similar steps can be used in crossbar installation.

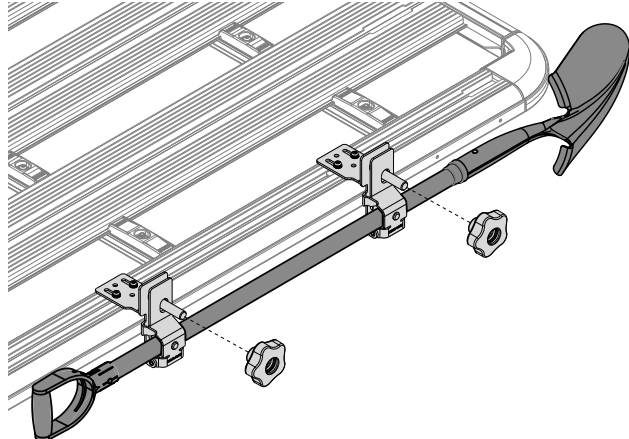
- 4** Open the brackets.



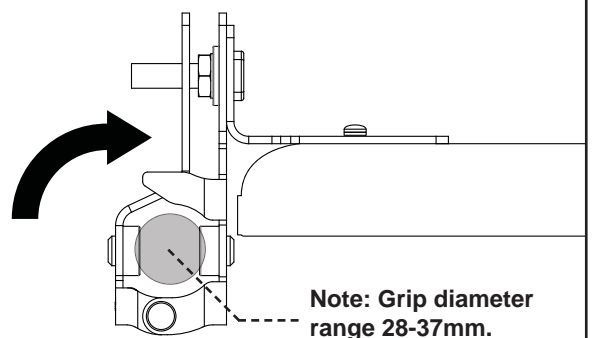
- 5** Place the shovel into the brackets as shown. Flip up the front of the bracket



- 6** With the shovel in place, lock the brackets with the M10 knobs. Check all fixtures are secure before use.



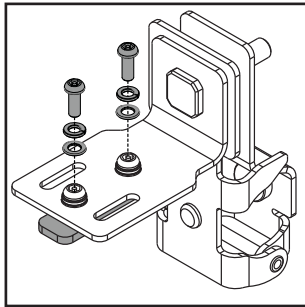
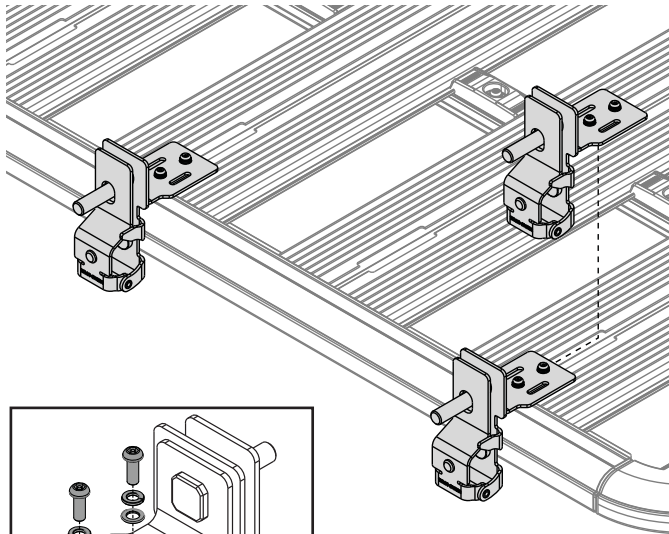
Flip up the front of the bracket. The rubber pads in the bracket will hold the shovel in place when the bracket is tightened later.



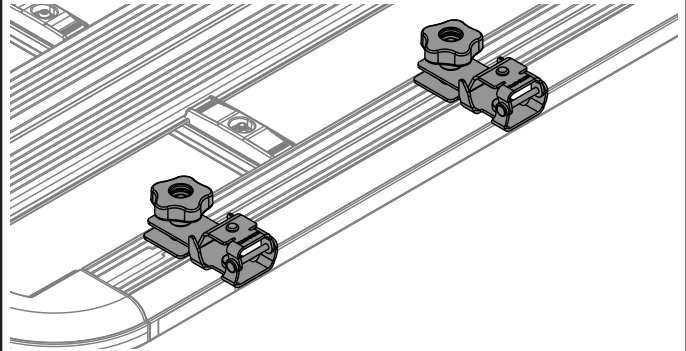


43218 Shovel Holder Bracket

Note The shovel holder brackets can be mounted at the rear of the platform/tray. For this setup, assemble the brackets in a vortex formation as seen in step 2.



7 The brackets can also be mounted to sit flat as shown. Remove item 6 (mounting bracket 1). Position the brackets as close as possible to the rear of the platform. Be aware of possible contact between an installed shovel and the platform or vehicle.



Loosen off the t-bolt so that it can slide inside the 'c' channel of the platform or crossbar.

