

**PARTS LIST**

- |                                     |  |
|-------------------------------------|--|
| 1 - 54" X 4" SPORT SERIES RACK END  | 2 - TOP SUPPORT BRACKETS                 |
| 1 - 54" X 4" WRANGLER RACK END      | 2 - LOWER SUPPORT BRACKETS ( RT & LT )   |
| 2 - SIDES ( 34 1/2 X 4" )           | 4 - INSIDE SUPPORT BRACKETS              |
| 8 - FLOORS ( 48 3/8" )              | 1 - LICENSE PLATE MOUNTING BRACKET       |
| 2 - REAR SUPPORT MOUNTS ( RT & LT ) | 1 - LICENSE LIGHT ASSEMBLY W/ 30" WIRING |

**ROOF RACK & FLOORING ( PAGE 3 & 4 )**

- 1 - BOLT KIT # 2000
- 1 - FLOORING BOLT KIT
- PLUS THE ADDITIONAL HARDWARE
- 4 - 1/4 X 1 1/4" BOLTS
- 4 - 1/4 LOCKWASHERS
- 4 - 1/4 FLATWASHERS ( 1 1/4" DIA. )
- 4 - BLACK PLASTIC END CAPS

**REAR MOUNT SUPPORTS ( PAGE 6 )  
( INSIDE AND OUT )**

- 4 - 5/16 X 1 1/2 CARRIAGE BOLTS
- 4 - 5/16 X 2 CARRIAGE BOLTS
- 2 - 5/16 X 1 BUTTON HEAD ALLEN BOLTS
- 2 - 1/4 X 1 X 3 THREADED NUT PLATE
- 8 - 5/16 USS FLATWASHERS ( SILVER )
- 8 - 5/16 NYLON LOCKNUTS
- 2 - 5/16 BLACK NYLON FLATWASHERS
- 2 - 5/16 NYLON FLATWASHERS ( 1/8" THICK )
- 2 - OUTSIDE SUPPORT PLATES
- 2 - OUTSIDE SUPPORT PLATE GASKETS

**MOUNTING CLAMP ASSEMBLIES ( EACH )  
2 KITS REQUIRED**

- 2 - LOWER MOUNT SUPPORTS
- 2 - THREADED 6MM NUTPLATES (SILVER)
- 1 - MIDDLE PIVOT SUPPORT
- 4 - 6MM X 16MM ALLEN HEAD BOLTS
- 4 - 6MM LOCKWASHERS
- 6 - 1/4 FLATWASHERS
- 1 - 1/4 X 3 1/4 BOLT
- 4 - 1/4 NYLON FLATWASHERS ( 11/16" DIA )

**ALUMINUM TRACK MOUNTING KIT  
PAGES 9,11 AND 12**

- 2 - ALUMINUM TRACKS ( 19 3/4" )
- 2 - TRACK GASKETS ( 21 1/2" LONG )
- 4 - BLACK PLASTIC END CAPS
- 6 - 1/4 X 1 1/4 ALLEN HEAD BOLTS ( STAINLESS STEEL )
- 6 - 1/4 NYLON FLATWASHERS ( SMALL 1/2" DIA. )
- 6 - 1/4 LARGE FLATWASHERS ( 1 1/4" DIA. )
- 6 - 1/4 NYLON LOCKNUTS
- 6 - VINYL BLACK CAPS
- 2 - FRONT INSIDE SUPPORTS ( 19 1/2 " LONG )

**HARDWARE KITS**

**LICENSE PLATE ( PAGE 10 )**

- 4 - 1/4 X 3/4 PAN HEAD (PHILLIPS) BOLTS
- 4 - 1/4 FLATWASHERS
- 4 - 1/4 THIN NYLON LOCKNUTS
- 2 - 5/16 X 1 CARRIAGE BOLTS
- 2 - 5/16 FLATWASHERS
- 2 - 5/16 NYLON LOCKNUTS

**LICENSE PLATE LIGHT ASSEMBLY ( PAGE 10 )**

- 2 - 1/4 X 1 1/4 PAN HEAD (PHILLIPS) BOLTS
- 2 - 1/4 FLATWASHERS
- 2 - 1/4 THIN NYLON LOCKNUTS
- 2 - BLACK 1/4" THICK SPACERS
- 1 - PANEL COVER WITH 5/16 RUBBER GROMMET
- 2 - BLUE ELECTRICAL CONNECTORS

**REAR SUPPORT MOUNTS ( PAGE 7 )**

- 2 - 7/16 X 3 1/4 GR8 (GOLD) BOLTS
- 4 - 7/16 SAE FLATWASHERS ( GOLD )
- 4 - 7/16 NYLON FLATWASHERS ( 1/8" THICK )
- 2 - 7/16 TOP LOCKNUTS
- 2 - 3/8 X 2 1/4 BOLTS
- 4 - 3/8 USS FLATWASHERS ( 1" DIA. )
- 2 - 3/8 REGULAR NYLON LOCKNUTS
- 2 - 3/8 NYLON FLATWASHERS ( 1/8" THICK )

**ROOF RACK TOP MOUNTING ( PAGE 9 )**

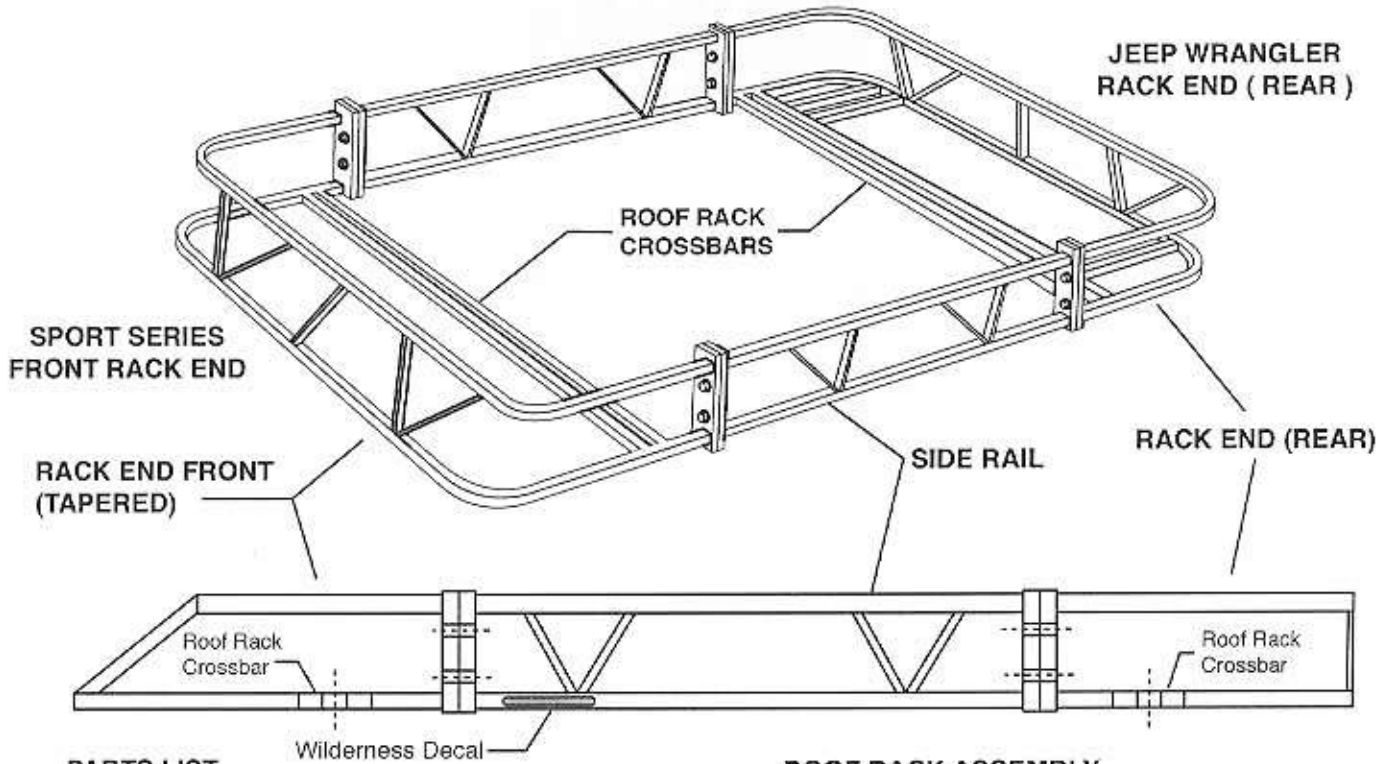
- 4 - 3/8 X 2 CARRIAGE BOLTS
- 4 - 3/8 H.D. FLATWASHERS ( 1 3/8" DIA. )
- 4 - REGULAR NYLON LOCK NUTS

**REAR SUPPORT RUBBER BUMPERS**

- 2 - 1 1/2" DIA. RUBBER BUMPERS
- 2 - 5/16 X 1 1/2 ALL THREAD BOLTS
- 4 - 5/16 JAM NUTS
- 2 - 3/8 FENDER WASHERS ( 1 1/2" DIA. )
- 2 - 5/16 X 1/2 BUTTON HEAD ALLEN BOLTS
- 2 - 3M PADS 2" X 2"

Part#44064  
Installation Instructions

1. Remove both rear tail light assemblies. Remove the two inboard screws on the tail-lights and remove the lights and disconnect wiring. Set lights aside, all the rear brackets and support bracket installation are done through the light body access hole.
2. Remove the license plate and housing assembly using a 7mm socket. Reach inside access hole and push on clips for housing assembly to come off. Disconnect or cut license light wires which will reconnect later in the installation. The rear bumper may need to be loosened and lowered slightly to gain access to the two lower 7mm head screws.
3. Measure and mark holds to be drilled, refer to page 5. Double check measurements before drilling. Drill holes.
4. Install rear mount support brackets and inside support brackets, as shown on page 6 and 7
5. Install rubber bumper assemblies to rear support arms, as shown on page 8.
6. Install rear support arms to rear mounting brackets, as shown on page 7.
7. Assemble roof rack as shown on page 3.
8. Install flooring to crossbars as shown on page 4.
9. Install black panel cover, course side out, and grommet, re-using the 7mm head factory screws, as shown on page 10, figure 2
10. For ease of assembly, install license plate bracket to driver's side rear support, as shown on page 10, figure 1. Install license plate and license cover (if applicable)
11. Install license plate light assembly as shown on page 10, figure 2. Feed wires through rubber grommet and back out through tail light access hole. Cut wire to desired length and connect to factory wiring, as shown on page 10, figure 2. Check license light operation.
12. Re-install tail light assemblies
13. Remove factory sound bar and un-plug wiring.
14. Assemble the two mounting brackets as shown on page 12, figure A
15. Measure, mark and drill  $\frac{1}{4}$ " dia. Hole in top as shown on page 11.
16. Set track on raised portion of the top and install  $\frac{1}{4}$ " dia. Bolt to hold track in position. Center track on raised rib and using the other holes as a guide drill  $\frac{1}{4}$ " holes through the fiberglass top.
17. Remove tracks from roof, install gasket to the track and slide the mount into the track assembly, refer to page 12, figure B.
18. Apply some black silicone on the top around the holes that were drilled.
19. Install the track assembly with black plastic end caps to the top as shown on page 11, figure X-1.
20. Apply black silicone around all mounting bolts and washers. Tighten all mounting hardware.
21. Re-install factory sound bar.
22. With some help, set the assembled roof rack on the rear support arms, page 9, figure C and position the front mounting brackets under the front roof rack crossbar, as shown on page 9, figure A.
23. Secure the roof rack to mounting arms as shown, align roof rack and tighten all fasteners.
24. Adjust the rubber bump stops on the rear support arms so that they touch the hard-top, refer to page 8, secure with jam nut. This step will prevent the rear support arms from vibrating.
25. This type of product is always subject to nicks and scratches. To help with this we recommend touching-up all nicks and scratches with a rust preventative satin black paint. Failure to touch-up could result in rust. If rust is visible clean the area and touch-up with paint.
26. Caution!!! **LOADING and WEIGHT CAPACITY.** Use common sense when loading items on this roof rack. This rack will hold more than you safely want to put on the top of your Jeep. Suggested weight limit is 200 lbs., evenly distributed on the rack, with the heaviest load in the rear half of the rack, which is supported by the rear support arms.



**PARTS LIST**

- 54" X 4" SPORT SERIES ( FRONT )
- 54" X 4" JEEP WRANGLER ( REAR )
- 2 - SIDES ( 34 1/2 " x 4" )
- 1 - BOLT KIT # 2000

**ROOF RACK ASSEMBLY**

- 1 - Assemble roof rack ends to roof rack sides as shown in figures A and B.
- 2 - Align and tighten all fasteners.
- 3 - Roof rack flooring and vehicle mounting are shown in their respective installation instructions.

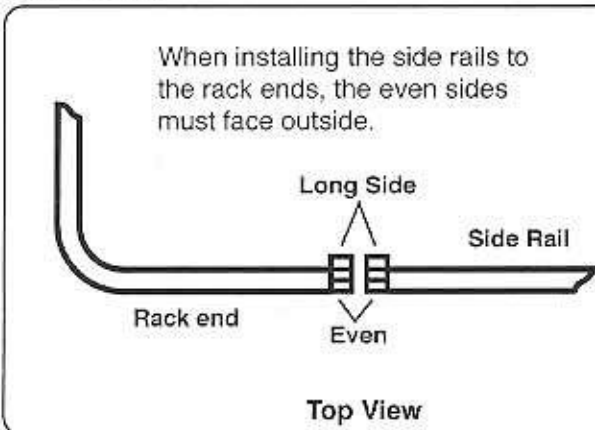
**LIGHT MOUNTING BRACKET** (each)  
PART # 88140 Front only  
PART # 88134 Rear and side

**WIND DEFLECTOR PART# 29960**

**CAUTION!!! LOADING and WEIGHT CAPACITY**

- 1 - Use common sense when loading items on this roof rack.
- 2 - The roof rack will support more weight than the vehicle roof mounting will safely support.
- 3 - As a general rule up to 200 Lbs. evenly distributed is a safe load for this rack.

**FIGURE A**



**FIGURE B**

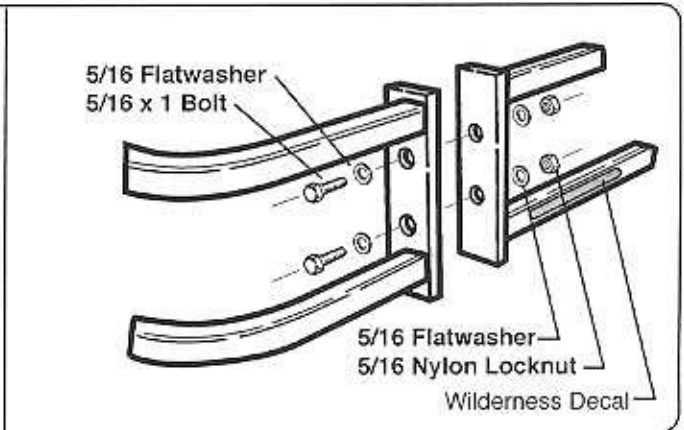
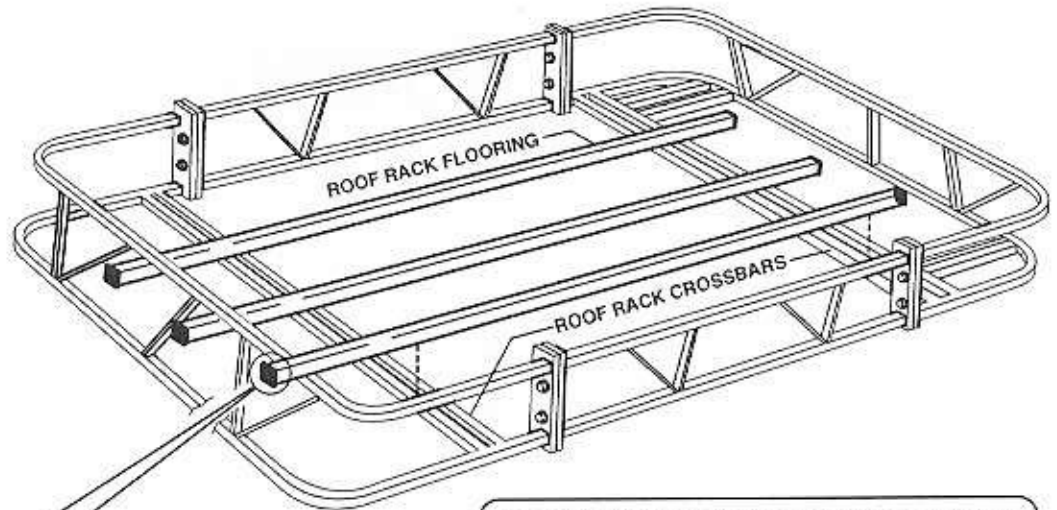
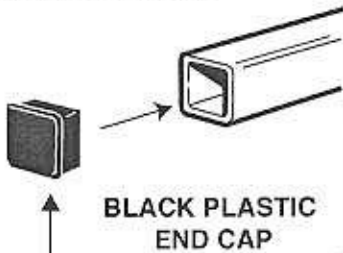


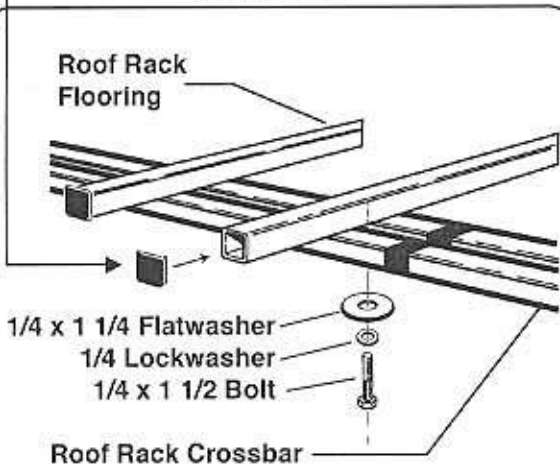
FIGURE K

Install black plastic plugs into end of flooring. Use silicon around plug before installing for added protection in (wet) weather conditions.



THE 8 FLOOR PIECES THAT ARE SUPPLIED WITH THIS KIT, MOUNT ON THE TOP OF THE ROOF RACK CROSSBARS AS SHOWN. ADDITIONAL FLOOR PIECES CAN BE PURCHASED FROM GARVIN INDUSTRIES.

FIGURE L



Apply Loctite to threads of 1/4 x 1 1/2" bolts for off road use.

SEE YELLOW CAUTION SHEET BEFORE TIGHTENING FLOORING BOLTS

#### PARTS LIST

- 8 - FLOOR PIECES ( 48 3/8" )
- 1 - FLOORING BOLT KIT
- PLUS THE ADDITIONAL HARDWARE
- 4 - 1/4 X 1 1/4" BOLTS
- 4 - 1/4 LOCKWASHERS
- 4 - 1/4 FLATWASHERS (1 1/4" DIA.)
- 4 - BLACK PLASTIC END CAPS

#### INSTALLATION INSTRUCTIONS

- 1 - INSTALL BLACK PLASTIC END CAPS IN FLOOR ENDS ( FIGURE K)
- 2 - INSTALL FLOORS TO ROOF RACK CROSSBARS ( FIGURE L )
- 3 - START ALL BOLTS IN FLOORING ( FIGURE B ), LEAVE BOLTS LOOSE, EVENLY SPACE FLOORS ON ROOF RACK.
- 4 - ALIGN FLOORS AND THEN READ THE YELLOW CAUTION SHEET ( ENCLOSED ) BEFORE TIGHTENING 1/4 X 1 1/2" BOLTS.
- 5 - WHEN SPACING THE TWO (2) OUTBOARD FLOORS, MAKE SURE THEY CLEAR THE ROOF RACK MOUNTING POINTS AS SHOWN IN THE DRAWING ABOVE.
- 6 - WHEN INSTALLING THE SPARE TIRE CARRIER PART# 29880, THE TWO MIDDLE FLOORS MUST BE SPACED SO THE OUTSIDE MEASUREMENT IS 5 3/8".

#### CAUTION !!!

DO NOT MOUNT A TIRE AND WHEEL ASSEMBLY LARGER THAN 31" ON THIS RACK.

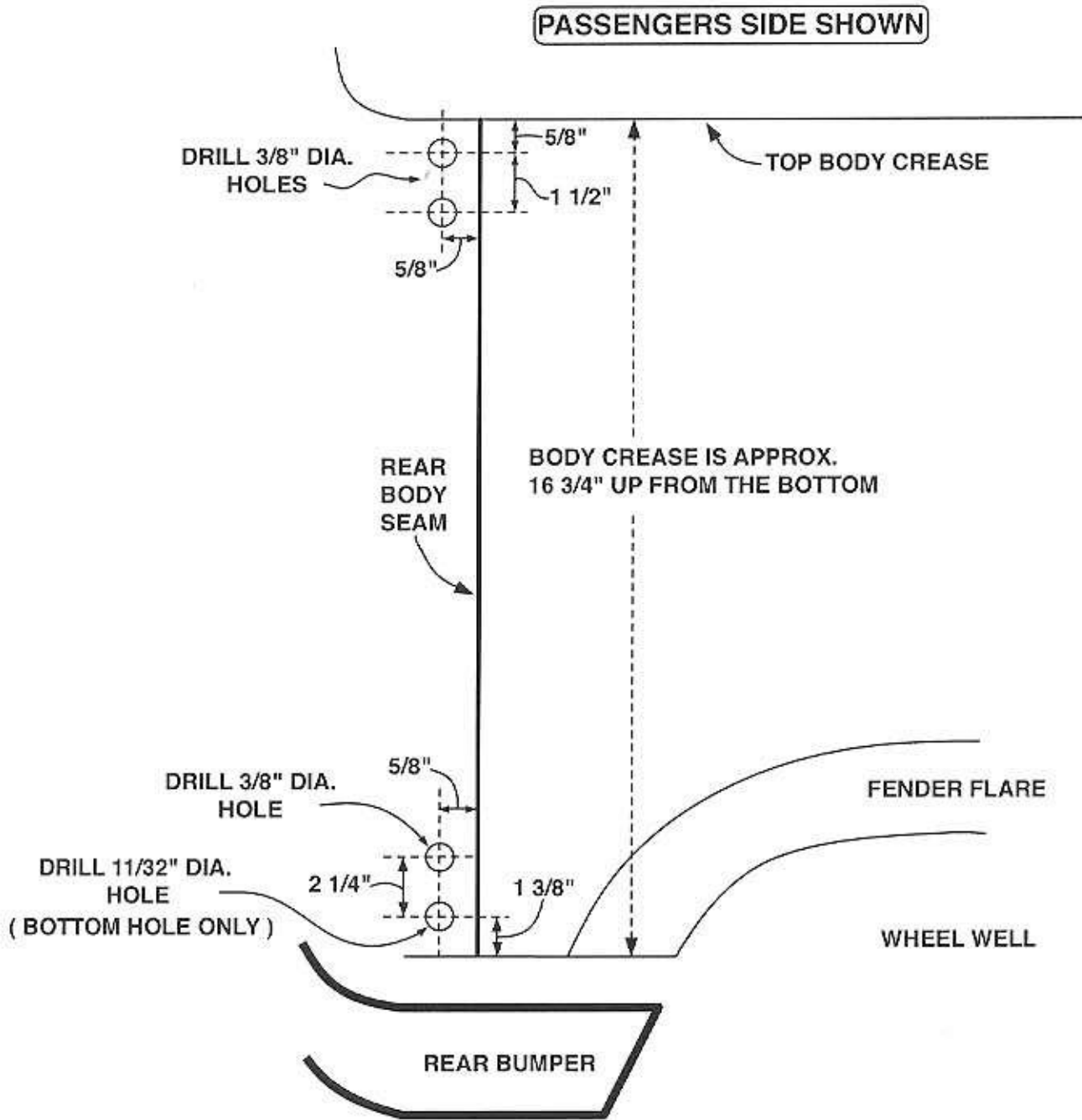
IF YOU MOUNT A SPARE ON THE RACK, MOUNT THE TIRE OVER THE CROSSBAR, NOT IN THE MIDDLE OF THE RACK.

DO NOT DRIVE OFF ROAD IN EXTREME CONDITIONS WITH A SPARE TIRE IN THE RACK.

A QUALITY SWING-A-WAY TIRE CARRIER AND BUMPER ASSEMBLY, SUCH AS THE WILDERNESS PART# 44700 IS HIGHLY RECOMMENDED FOR ALL TIRES OVER 31" WHILE DRIVING IN ROUGH OFF ROAD CONDITIONS

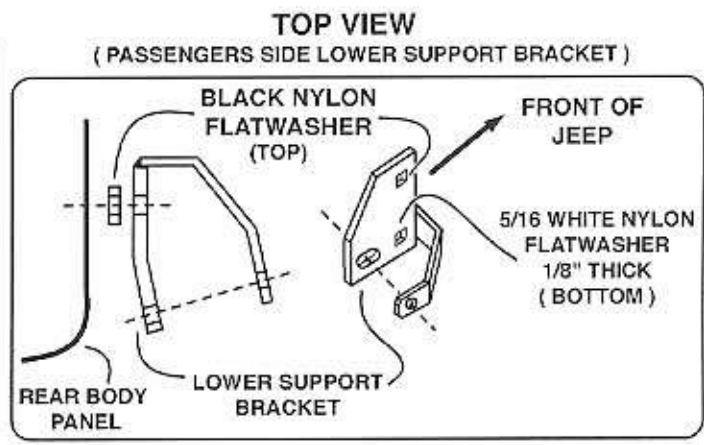
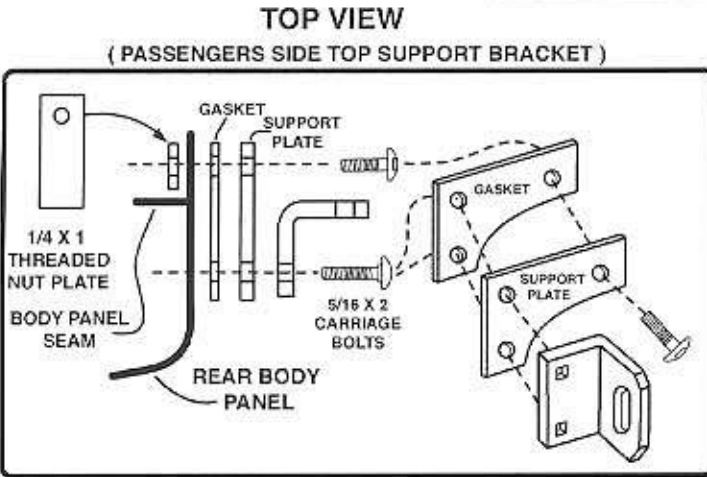
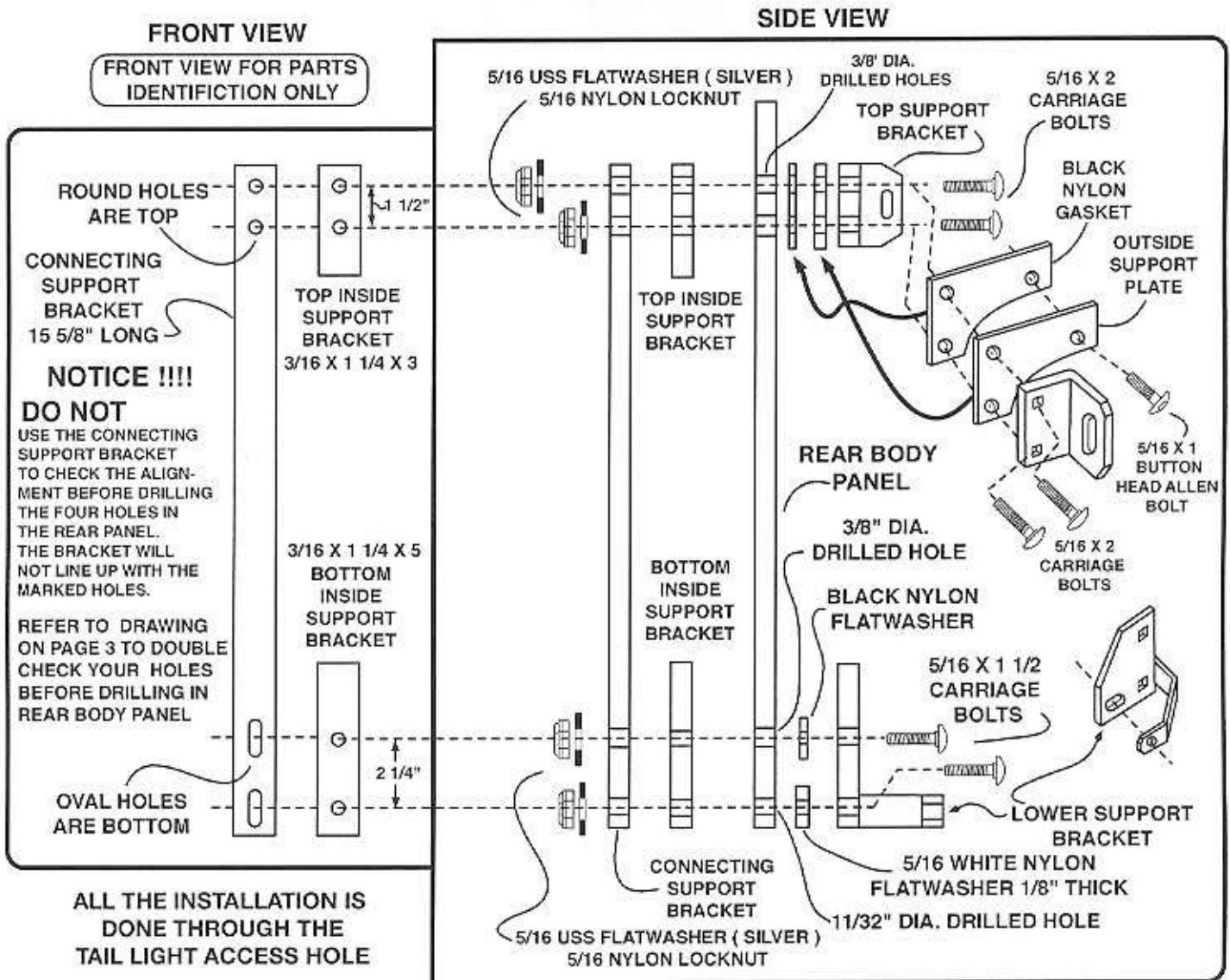
JEEP JK 4 DOOR FREEDOM TOP SHORT ROOF RACK  
REAR MOUNT SUPPORTS DRILLING DIAGRAM

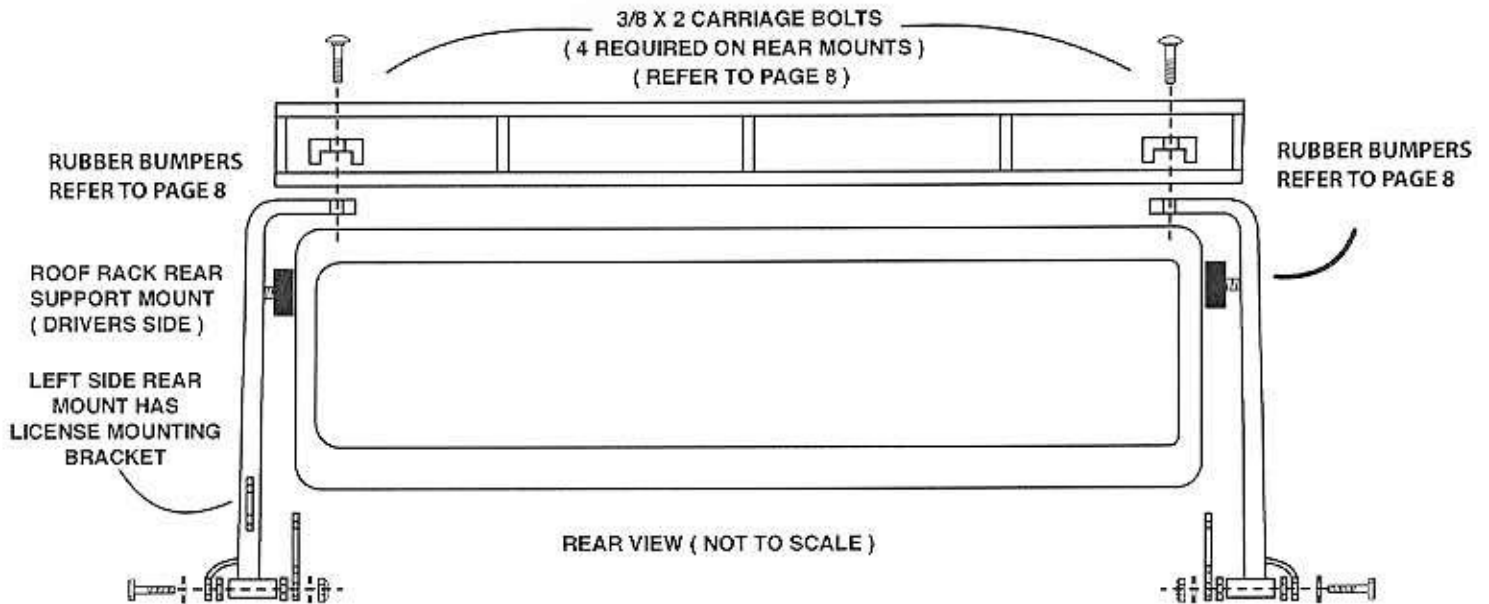
PUT MASTING TAPE OVER THE AREA TO BE MARKED AND DRILLED  
THEN MARK AND DRILL A SMALL 1/8" DIA. PILOT HOLE FIRST,  
THEN ENLARGE THE HOLE TO THE PROPER SIZE



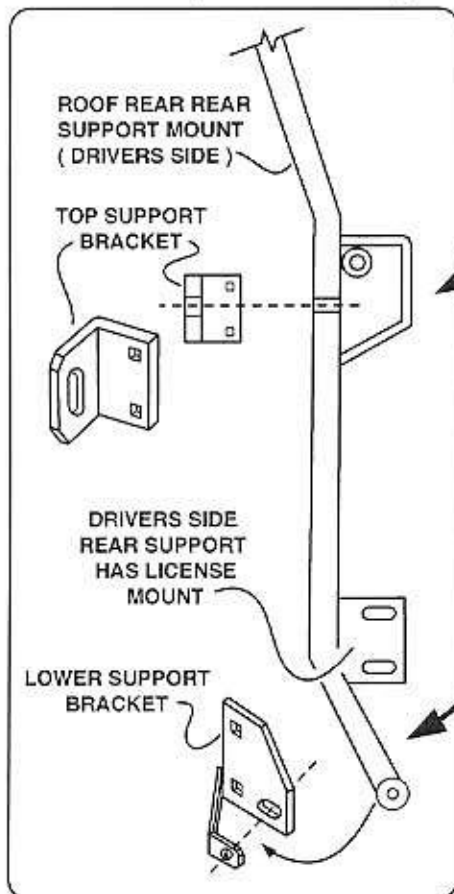
# WILDERNESS PRODUCTS

## JEEP JK 4 DR. FREEDOM TOP SHORT ROOF RACK REAR MOUNT SUPPORTS INSIDE AND OUTSIDE INSTALLATION DIAGRAM

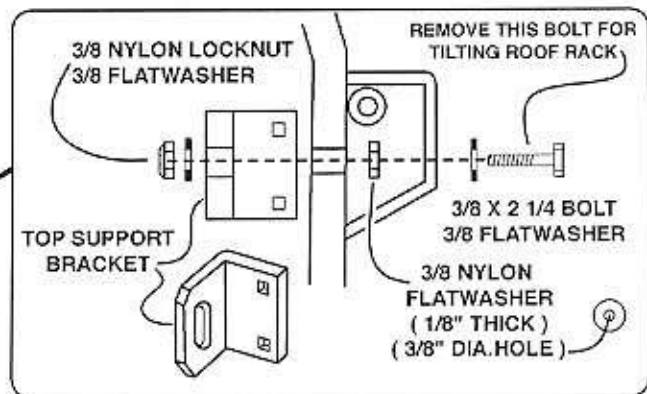




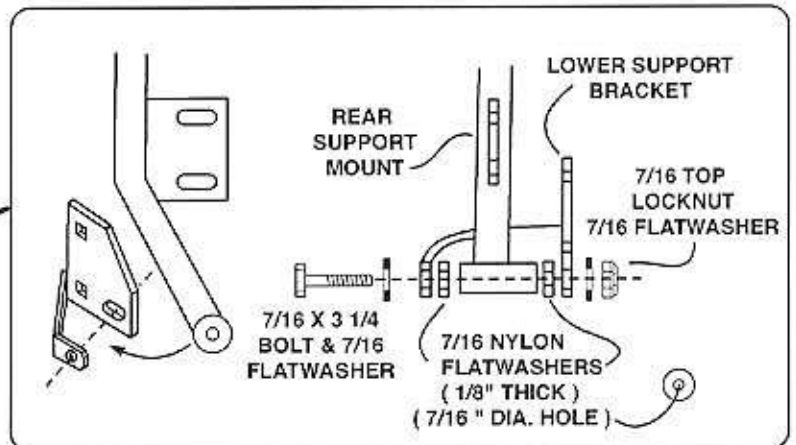
**SIDE VIEW ( DRIVERS SIDE )**



**TOP SUPPORT BRACKET ASSEMBLY**



**LOWER SUPPORT BRACKET ASSEMBLY**



**THIS SUPPLEMENT INSTRUCTION SHEET  
IS ONLY FOR THE JK HARDTOP MODELS**

- 1 - REMOVE THE ALLEN BOLTS FROM THE COUPLING NUT THAT IS WELDED TO THE REAR SUPPORT BRACKETS.
- 2 - ASSEMBLE THE RUBBER BUMP STOP AS SHOWN IN FIG A. SCREW THE BUMP STOP INTO THE COUPLING NUT ALL THE WAY, LEAVE LOOSE FOR LATER ADJUSTMENT. THIS SHOULD BE DONE BEFORE THE REAR SUPPORT MOUNTS ARE INSTALLED ON THE VEHICLE.
- 3 - FINISH ROOF RACK INSTALLATION, ALIGN AND TIGHTEN ALL FASTNERS.
- 4 - REMOVE THE BACKING ON THE 3M PAD AND STICK ON THE HARDTOP WHERE THE RUBBER BUMP STOP WILL TOUCH THE TOP. CLEAN THE TOP WITH A ALCOHOL PAD IF THE 3M PAD IS NOT WANTING TO STICK.
- 5 - ADJUST THE RUBBER BUMP STOP SO THAT IT JUST TOUCHES THE TOP OR A 1/16" AWAY. DO NOT TIGHTEN THE BUMP STOP TIGHT AGAINST THE TOP, YOU NEED A LITTLE CLEARANCE BETWEEN THE STOP AND THE TOP.
- 6 - AFTER INSTALLATION IS COMPLETE AND THE LOCKNUTS ON THE BUMPSTOPS ARE TIGHT, IF THERE IS ROOM TO RE- INSTALL THE ALLEN SCREWS FINE, IF NOT , LEAVE THE ALLEN SCREWS OUT.

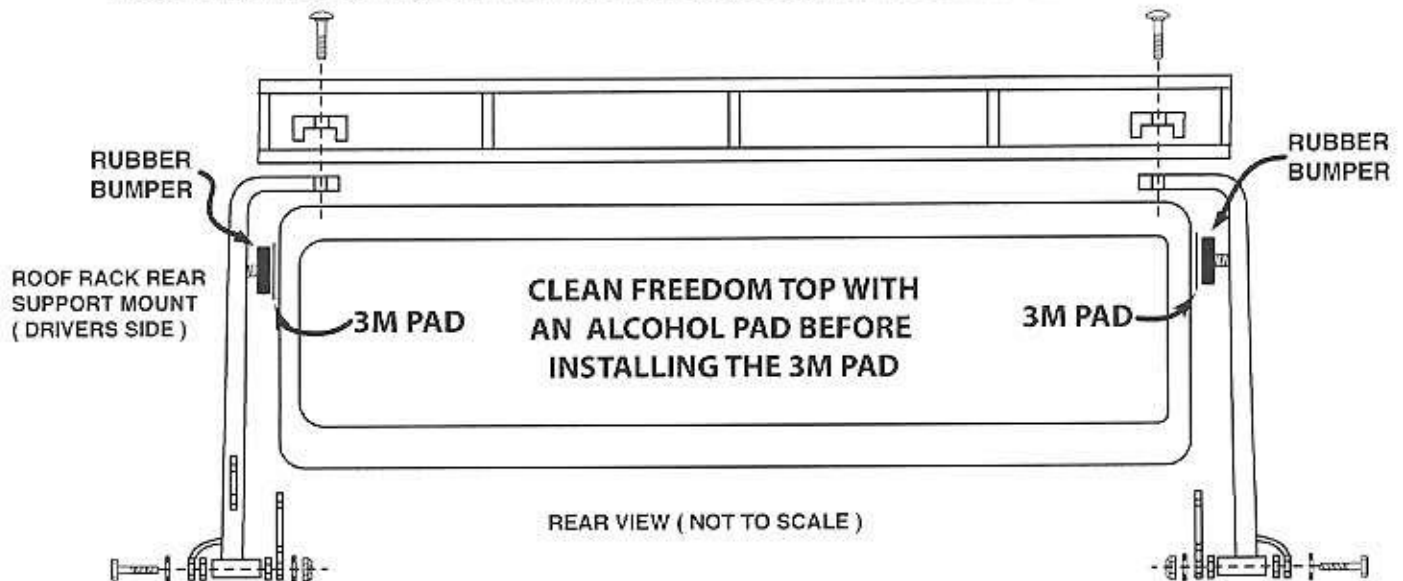
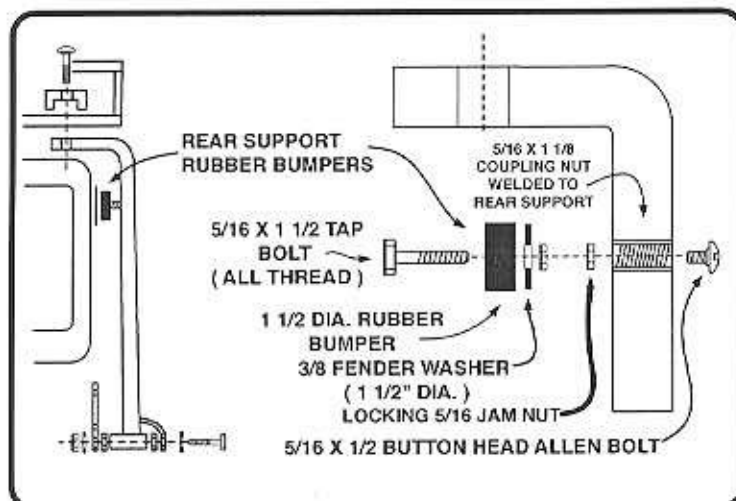


FIGURE A



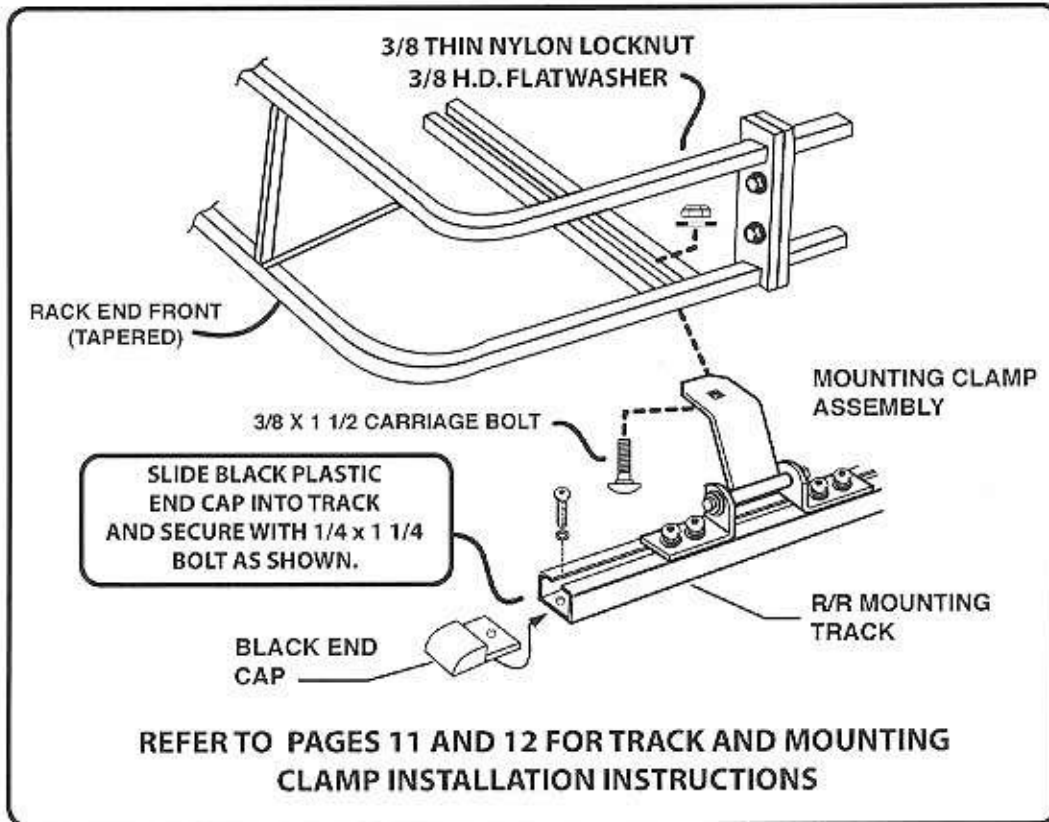
**PARTS LIST**

**REAR SUPPORT RUBBER BUMPERS**

- 2 - 1 1/2" DIA. RUBBER BUMPERS
- 2 - 5/16 X 1 1/2 ALL THREAD BOLTS
- 4 - 5/16 JAM NUTS
- 2 - 3/8 FENDER WASHERS ( 1 1/2" DIA. )
- 2 - 5/16 X 1/2 BUTTON HEAD ALLEN BOLTS
- 2 - 3M PADS

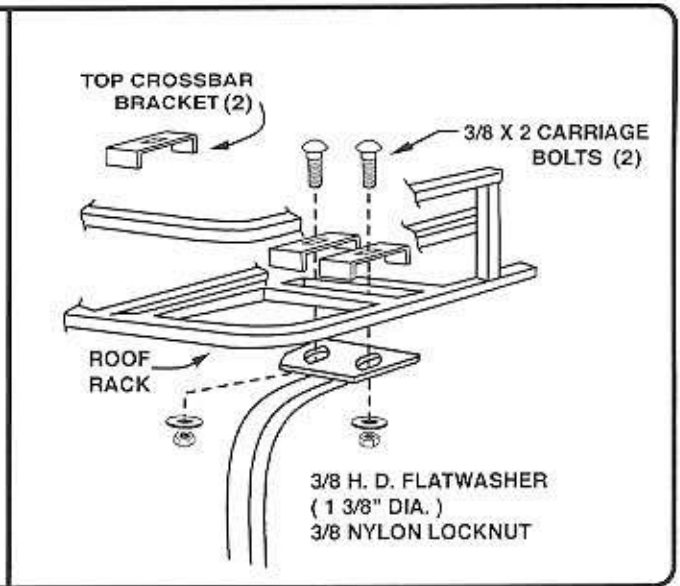
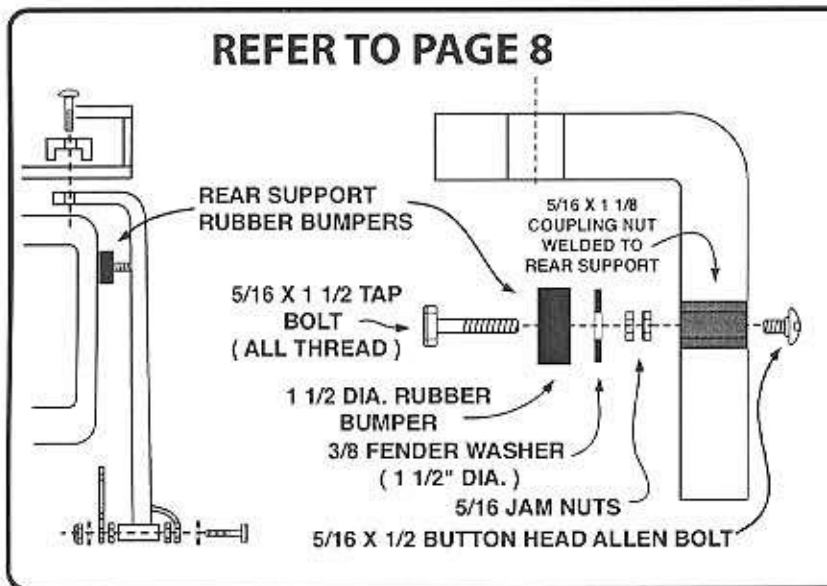


**FIGURE A FRONT MOUNTING ASSEMBLY**

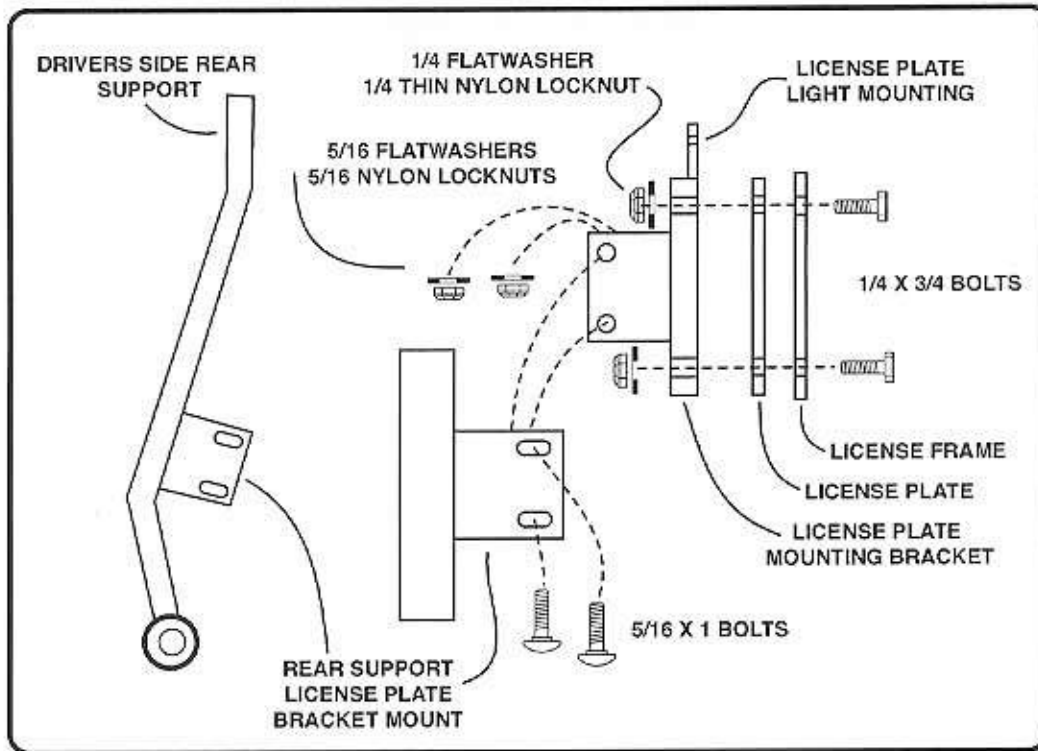


**FIGURE B REAR SUPPORT RUBBER BUMPER**

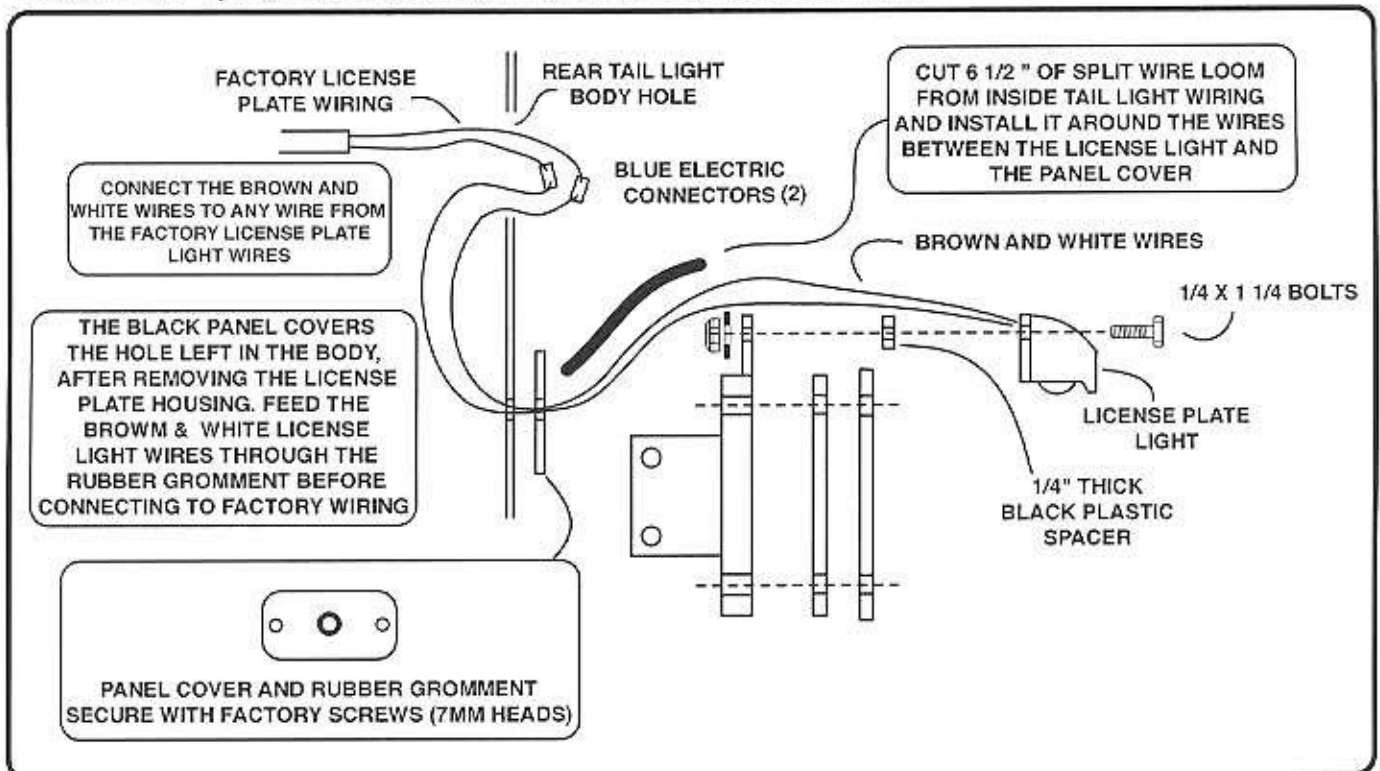
**FIGURE C REAR MOUNTING**



**FIGURE 1 ( LICENSE PLATE MOUNTING )**

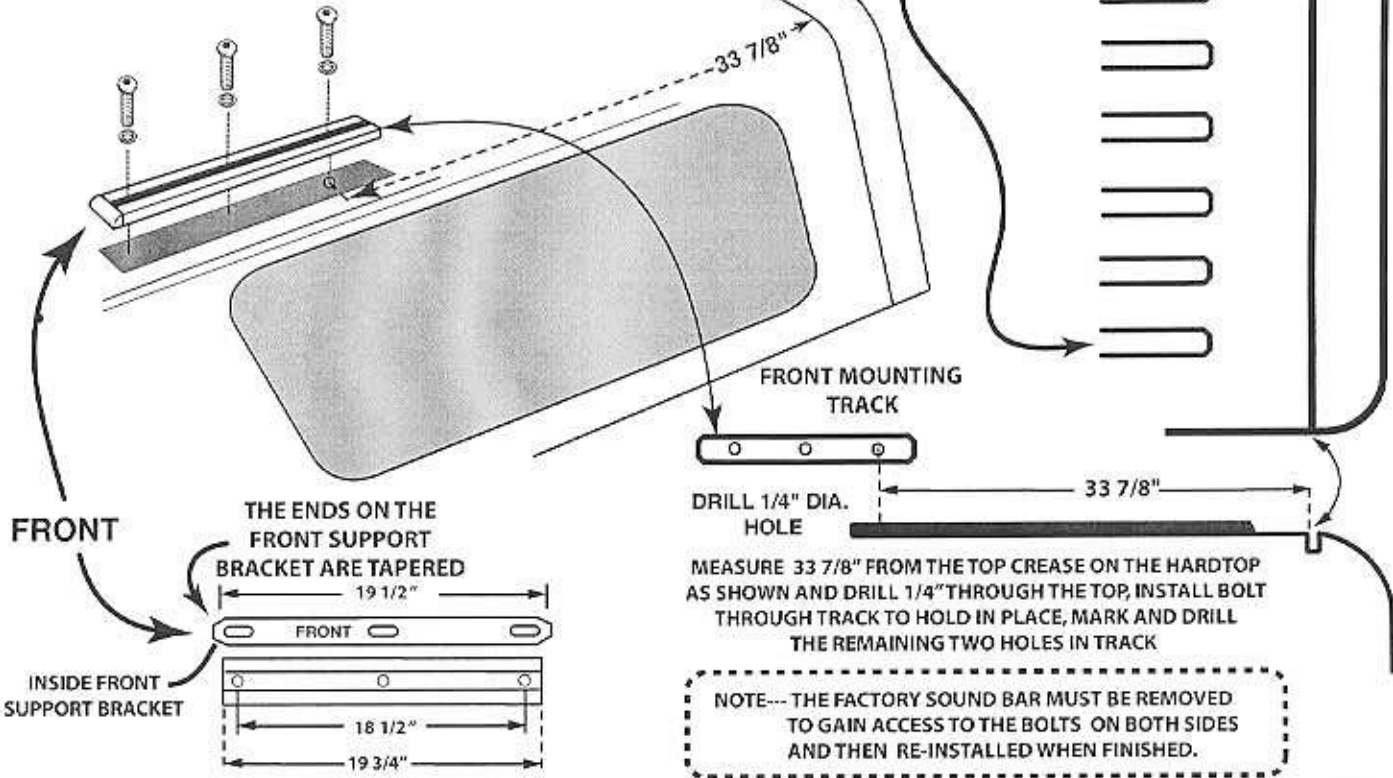


**FIGURE 2 ( LICENSE PLATE LIGHT AND WIRING INSTALLATION )**

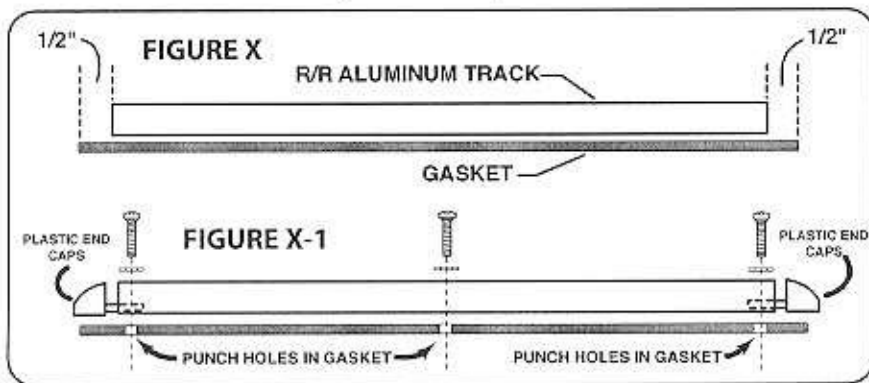


**MOUNT FRONT ALUMINUM TRACK ON THE TOP OF THE OUTBOARD RAISED 2" WIDE TOP SUPPORT RIBS**

**SEAL ALL BOLTS AND HOLES WITH SILICONE TO PREVENT WATER LEAKAGE**



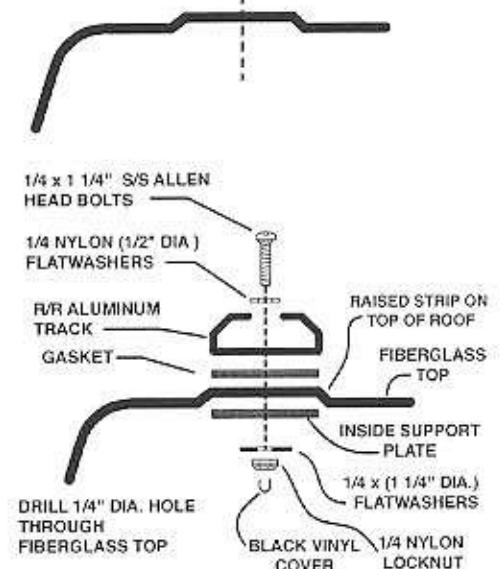
( SIDE VIEW )



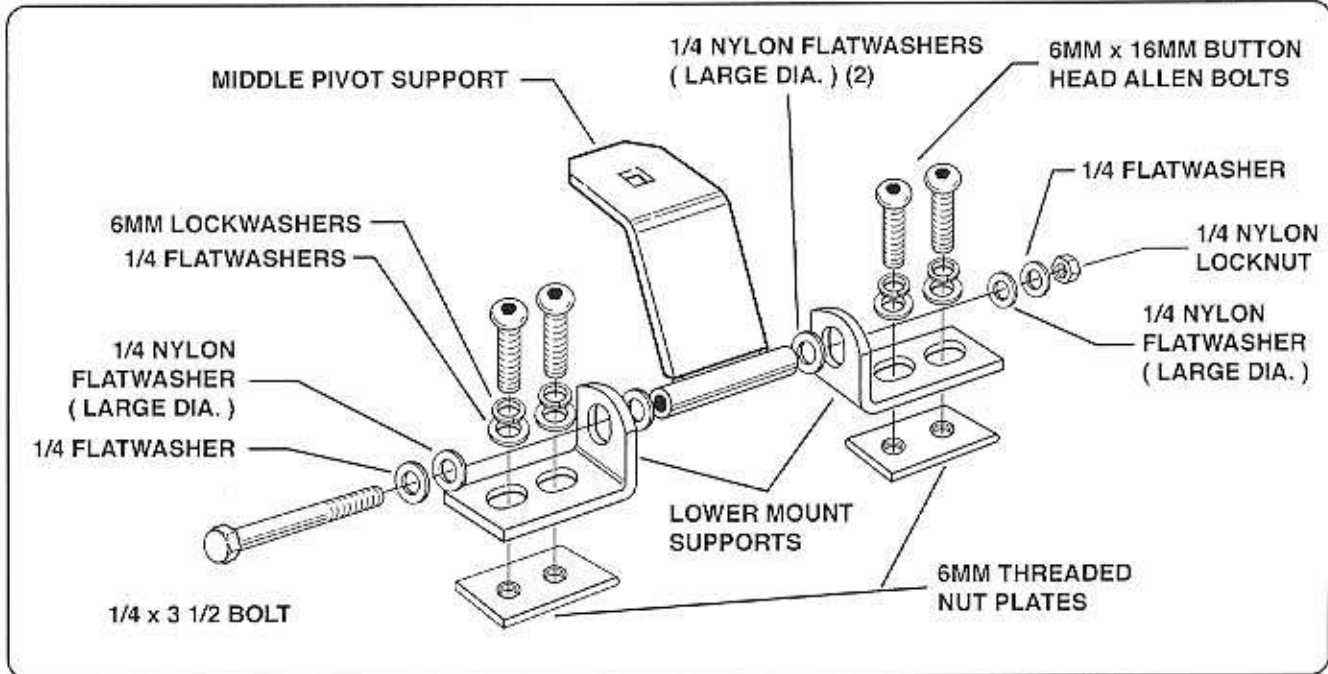
**GASKET INSTALLATION**

- 1 - REMOVE THE WHITE BACKING FROM THE GASKET MATERIAL. INSTALL THE STICKY SIDE OF THE GASKET TO THE BOTTOM OF THE TRACK, LEAVING 1/2" OF GASKET PAST THE END OF THE TRACK ( REFER TO FIGURE X ) AND TRIMMING THE OTHER END OF THE GASKET TO 1/2" PAST THE TRACK. ( THE 1/2" OF GASKET IS SO THE END CAP WILL HAVE GASKET MATERIAL UNDER IT ).
- 2 - PUNCH OR DRILL A 1/4" DIA. HOLE THROUGH THE GASKET MATERIAL AT THE RESPECTIVE HOLES IN THE ALUMINUM TRACK, THIS WILL MAKE MARKING THE HOLES EASIER WHEN THE ROOF RACK AND TRACK ASSEMBLY ARE POSITIONED ON THE FIBERGLASS TOP, REFER TO FIGURE X-1.

**MOUNT THE TRACK IN THE CENTER OF THE OUTBOARD RAISED PORTION OF THE TOP. ( THE RAISED PORTION CLOSEST TO THE OUTSIDE OF THE JEEP )**



**FIGURE A MOUNTING CLAMP ASSEMBLY**



**FIGURE B ( CLAMP ASSEMBLY INTO TRACK )**

