

TRUXPORT™

Another Fine Tonneau Cover by TruXedo®

Owners & Installation Manual

READ INSTRUCTIONS - Failure to assemble cover properly will void warranty.



Damaged or missing parts?
Call **1-877-878-9336**
Mon - Fri 8 am - 5 pm CT
Parts will be shipped to you factory direct.
Do not return kit to place of purchase.

Specify length or make
and model of vehicle to
inquire about headers,
cover, side rails, or bows.

Tools Required:
1/2" Ratchet or Wrench

Shur-Co.

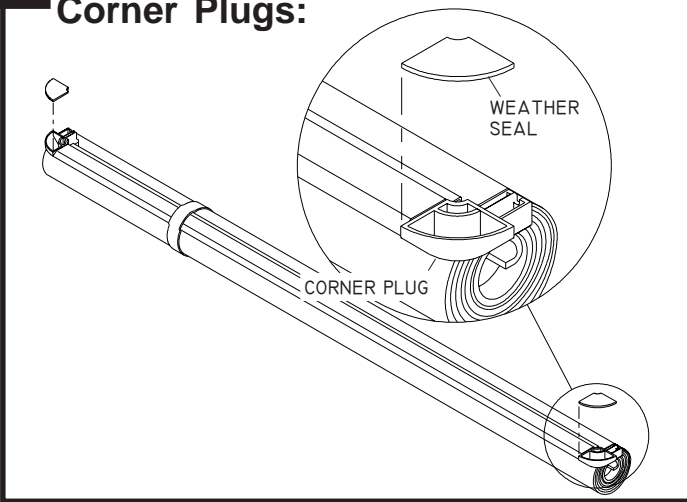


P.O. Box 713, 2309 Shur-Lok Street Yankton, South Dakota 57078
Call Toll Free: 1-877-878-9336 Mon - Fri 8 am - 5 pm CT Fax: (605) 664-9304 Web Site: <http://www.truxport.com>

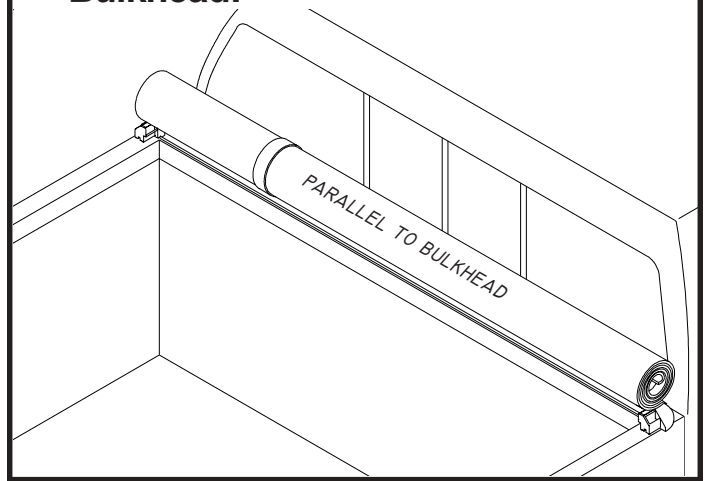
9/22/05, 1000

P/N 1116032 Rev F

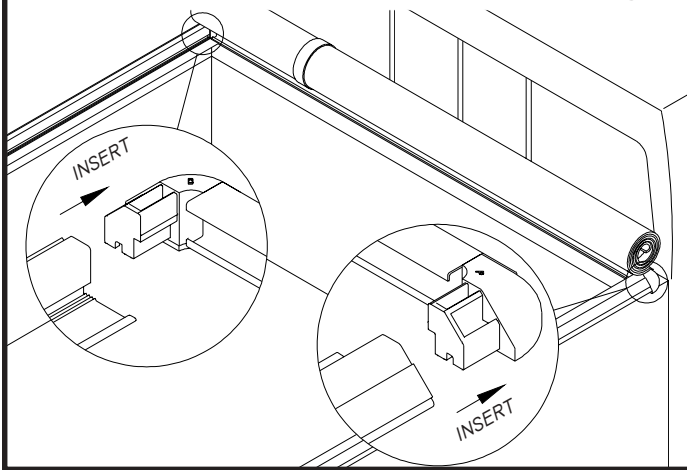
1 Install Weather Seal on Cab End Corner Plugs:



2 Set Cover Assembly on Front Bulkhead:



3 Place Side Rails on Pickup Bed Rails and Insert Rails into Corner Plugs:



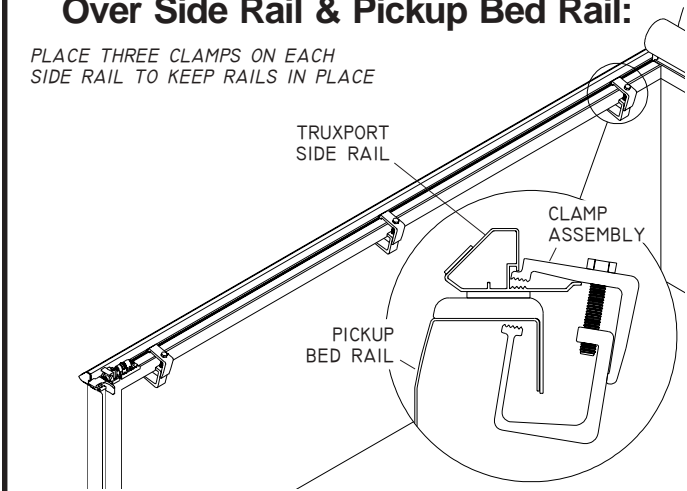
4

NOTE:

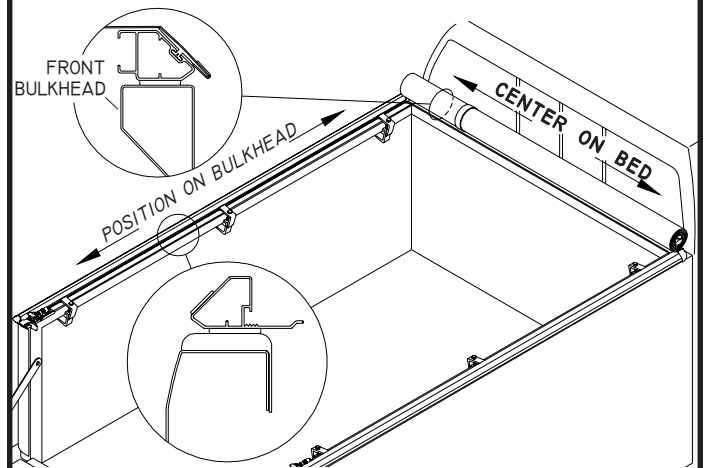
Additional weather seal may be required for pickups with bed caps, tailgate protectors, or liners. Add weather seal if needed to seal appropriately.

5 Assemble Clamps. Place Loosely Over Side Rail & Pickup Bed Rail:

PLACE THREE CLAMPS ON EACH SIDE RAIL TO KEEP RAILS IN PLACE



6 Align Cover With Pickup Bed:



Shur-Co.

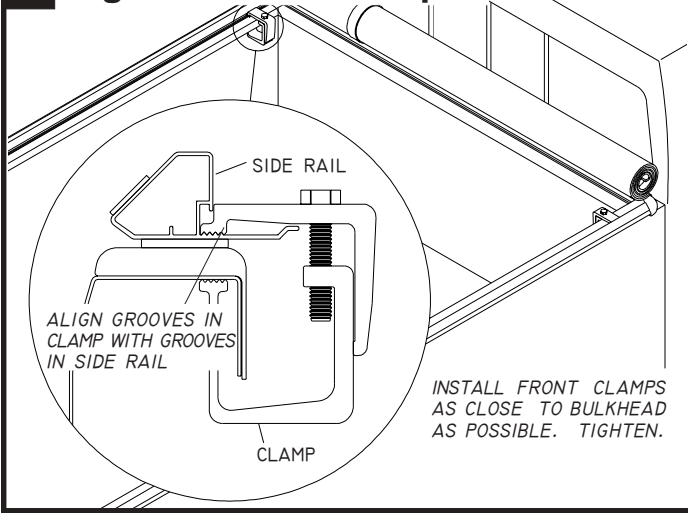
P.O. Box 713, 2309 Shur-Lok Street Yankton, South Dakota 57078

Call Toll Free: 1-877-878-9336 Mon - Fri 8 am - 5 pm CT Fax: (605) 664-9304 Web Site: <http://www.truxport.com>

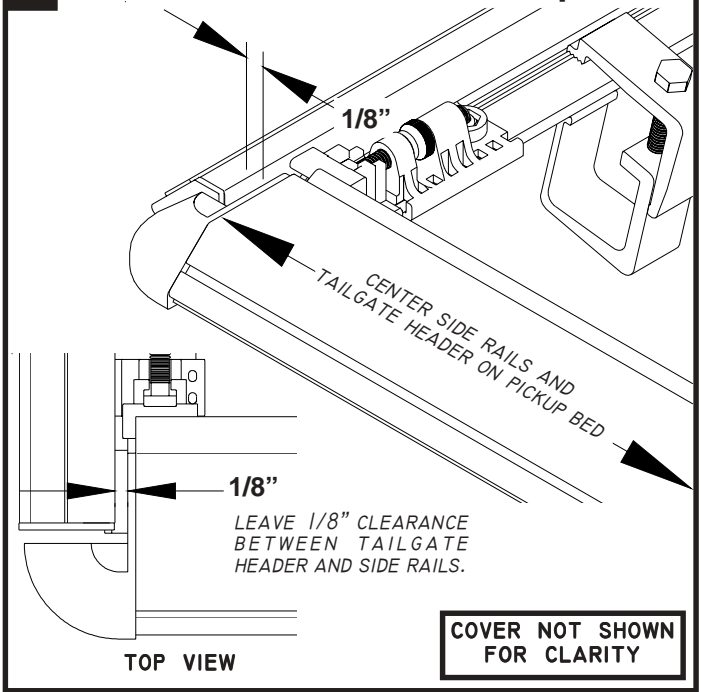
P/N 1116032 Rev F



7 Tighten Front Clamps:



8 Center Side Rails on Pickup Bed:

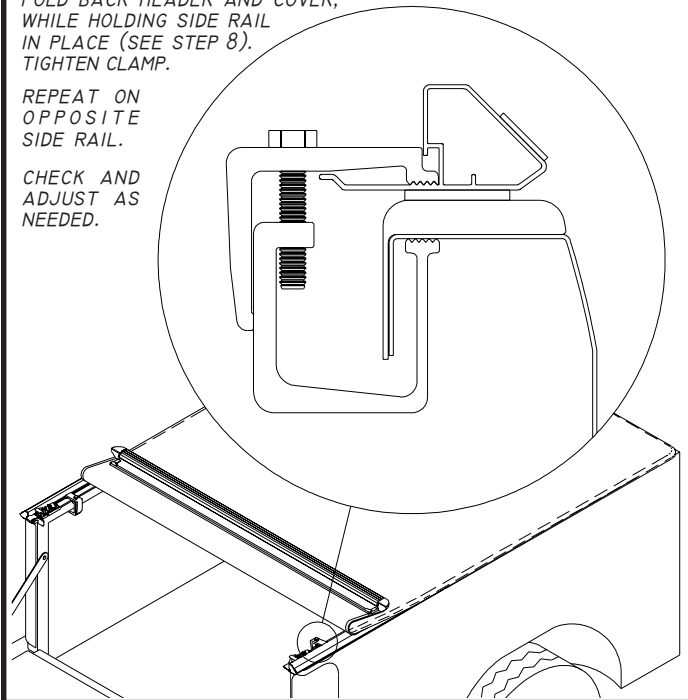


9 Tighten Clamps at Tailgate:

FOLD BACK HEADER AND COVER, WHILE HOLDING SIDE RAIL IN PLACE (SEE STEP 8). TIGHTEN CLAMP.

REPEAT ON OPPOSITE SIDE RAIL.

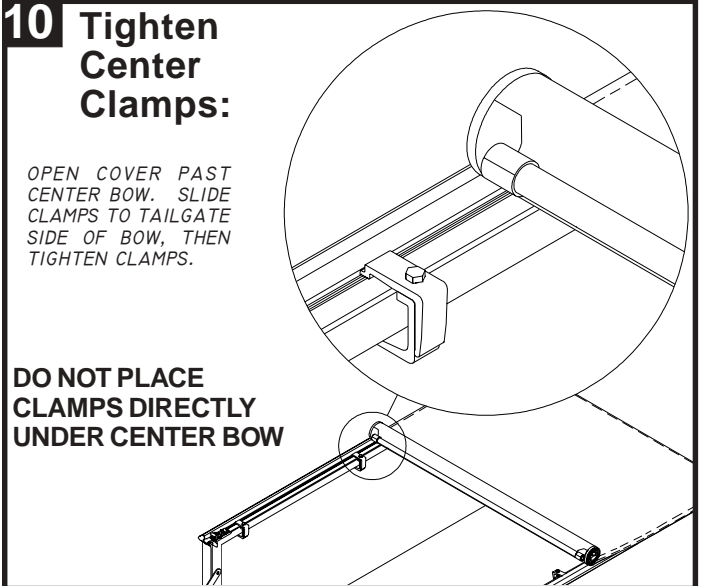
CHECK AND ADJUST AS NEEDED.



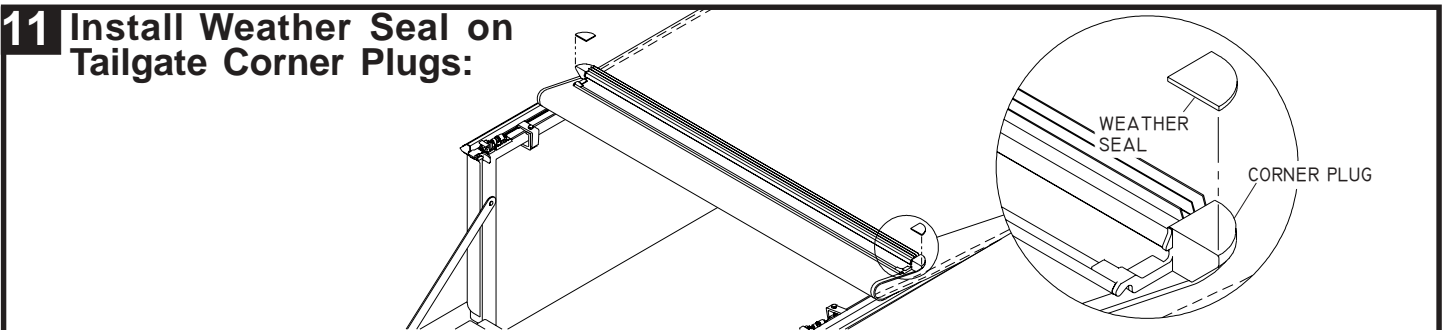
10 Tighten Center Clamps:

OPEN COVER PAST CENTER BOW. SLIDE CLAMPS TO TAILGATE SIDE OF BOW, THEN TIGHTEN CLAMPS.

DO NOT PLACE CLAMPS DIRECTLY UNDER CENTER BOW



11 Install Weather Seal on Tailgate Corner Plugs:



Shur-Co.

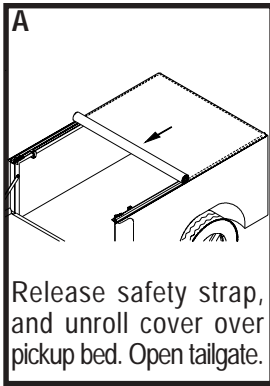
P.O. Box 713, 2309 Shur-Lok Street Yankton, South Dakota 57078

Call Toll Free: 1-877-878-9336 Mon - Fri 8 am - 5 pm CT Fax: (605) 664-9304 Web Site: <http://www.truxport.com>

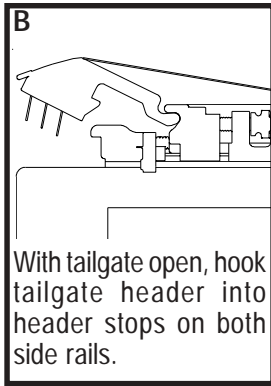
P/N 1116032 Rev F



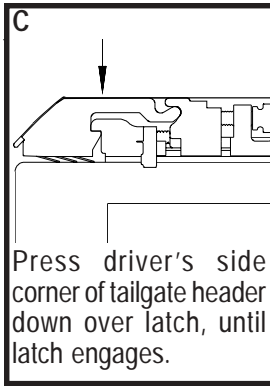
12 Close Cover:



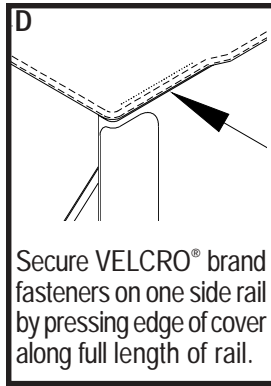
Release safety strap, and unroll cover over pickup bed. Open tailgate.



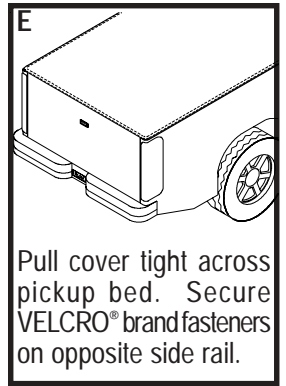
With tailgate open, hook tailgate header into header stops on both side rails.



Press driver's side corner of tailgate header down over latch, until latch engages.



Secure VELCRO® brand fasteners on one side rail by pressing edge of cover along full length of rail.



Pull cover tight across pickup bed. Secure VELCRO® brand fasteners on opposite side rail.

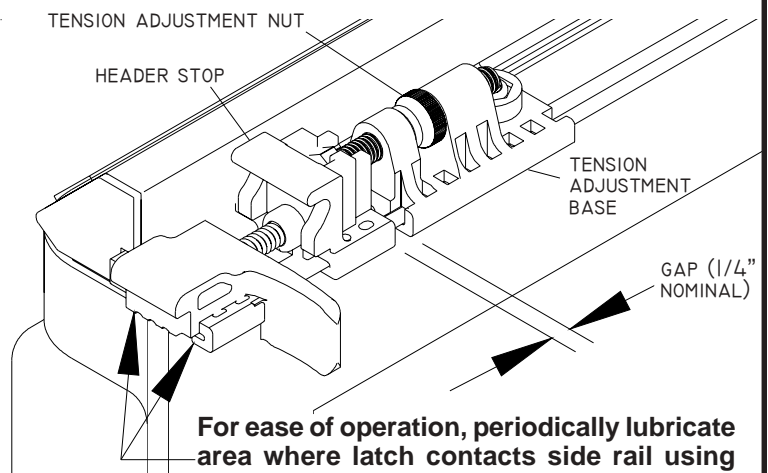
NOTE: To prevent wind lift, secure VELCRO® brand fasteners along entire length of both side rails before driving vehicle.

13 Adjust Cover Tension:

A. To adjust tension, open cover slightly. Locate tension adjustment nut at tailgate end of each side rail. Turn nut to widen or reduce gap between header stop and tension adjustment base. Increase width of gap to increase tension, or reduce width of gap to reduce tension. Release VELCRO® brand fasteners on both sides of cover.

B. Close cover and recheck tension. Repeat as required to achieve desired cover tension.

- For best performance, and to protect your cover against wind wear, adjust tension regularly.
- Check cover tension after installation, seasonally, and after extreme temperature changes.
- Set tension during the warmest part of the day.

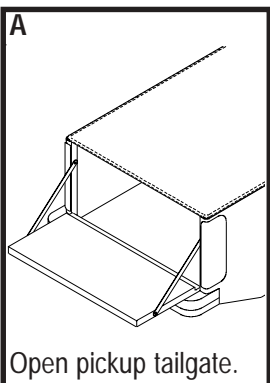


For ease of operation, periodically lubricate area where latch contacts side rail using silicon lubricant.

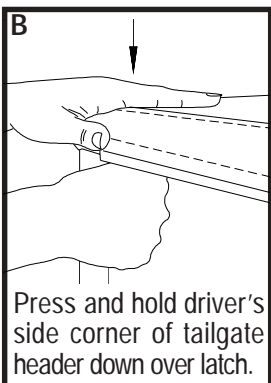
NOTE: Cover is designed to have optimal tension when there is a 1/4" gap between the header stop and the tension adjustment base.

Do not over tighten cover. If cover is too tight, it will not latch easily.

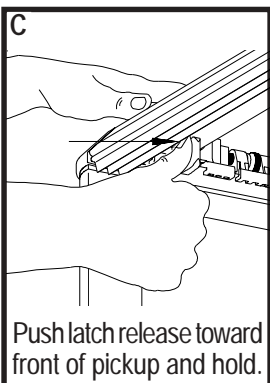
14 Open Cover:



Open pickup tailgate.



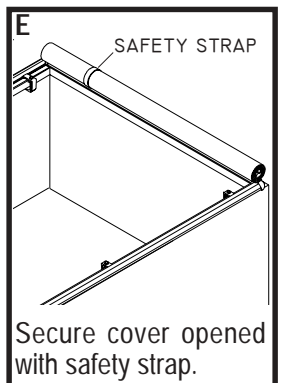
Press and hold driver's side corner of tailgate header down over latch.



Push latch release toward front of pickup and hold.



Roll up cover, leaving cover fastened to side rails while opening.



Secure cover opened with safety strap.



Shur-Co.

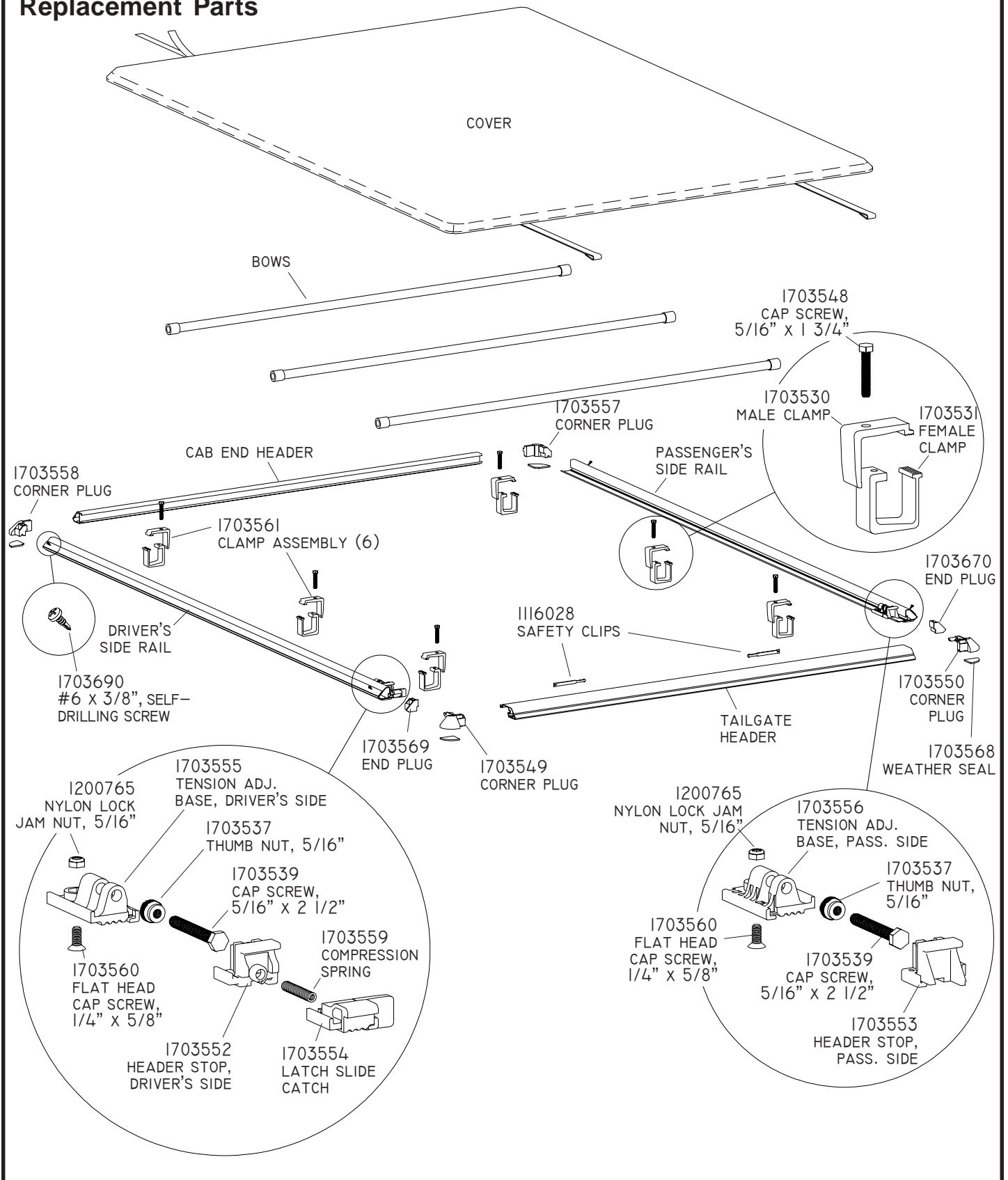
P.O. Box 713, 2309 Shur-Lok Street Yankton, South Dakota 57078

Call Toll Free: 1-877-878-9336 Mon - Fri 8 am - 5 pm CT Fax: (605) 664-9304 Web Site: <http://www.truxport.com>



P/N 1116032 Rev D

Replacement Parts



Shur-Co.

P.O. Box 713, 2309 Shur-Lok Street Yankton, South Dakota 57078

Call Toll Free: 1-877-878-9336 Mon - Fri 8 am - 5 pm CT Fax: (605) 664-9304 Web Site: <http://www.truxport.com>



P/N 1116032 Rev D

FIVE YEAR WARRANTY

Shur-Co. warrants that all new, unused products are free from defects in material and workmanship. This Five Year Limited Warranty is effective if the product is properly installed and used for the purpose intended. It applies to the original buyer only. Shur-Co.'s obligation under this Warranty is limited to repairing, or at its option, replacing any part that is returned, transportation prepaid, to Shur-Co., Yankton, South Dakota, if the product is, in our judgment, defective. All materials must be accompanied by an RMA (Returned Material Authorization) number requested by and authorized in advance of returning the materials. Shur-Co. shall not be liable or responsible to supply or pay labor to replace any part found defective, nor shall it be liable for any damages of any kind or nature to person, product, or property.

There are no Warranties for used products or products that have been repaired, altered, modified, subjected to misuse, negligence, accident or ordinary wear and tear.

Shur-Co. products are sold without any express warranty except as set forth above. Shur-Co. is not obligated to honor warranty claims if Genuine Shur-Co. parts are not utilized.

DIRECT ALL WARRANTY CLAIMS TO SHUR-CO. AT 1-877-878-9336



WARNING

Tighten clamps securely on side rails before driving vehicle, to prevent cover from blowing off.

SAFETY INSTRUCTIONS

1. Do not place objects on or against cover or framework.
2. Do not tie cargo to Truxport framework.
3. **Never** allow children or pets to occupy pickup box while cover is closed.
4. Cover is not airtight. Special care is required to keep cargo clean and dry.
5. Fabric cover won't prevent theft of contents inside truck box.
6. Cover must be rolled fully open and secured with safety strap when towing vehicle backwards.
7. Opened cover must be secured with safety strap when driving vehicle.

OWNER/USER RESPONSIBILITIES

It is the responsibility of the owner/user to read this manual and comply with the operating procedures. The owner/user is also responsible for inspecting their Truxport® cover, and for having parts repaired or replaced when worn or damaged.

Failure to follow safety instructions and warning labels could result in failure of your cover system and/or personal injury.

MESSAGES TO INSTALLER

- Always wear safety glasses and/or other necessary protective equipment when installing your Truxport®.
- These instructions are complete for most pickup models. Additional instructions are included, if required for your pickup. Please read entire manual before installing your Truxport®.

COVER MAINTENANCE

Vinyl cover can be hand washed with mild soap and water or cleaned in a car wash. Thoroughly rinse cover to remove any soap residue. Cover can be treated with any vinyl protectant made for tonneau covers.

Never use silicon, petroleum, or citrus based products on your tonneau cover.

Questions?

Call our friendly customer service staff at Shur-Co. Toll Free:

1-877-878-9336

Mon - Fri 8 am - 5 pm CT

Register online at www.truxport.com or mail this form to: Shur-Co., P.O. Box 713, Yankton, SD 57078-0713

Name: _____

Address: _____

City: _____ State: _____ Zip: _____

Phone Number: _____

Email Address: _____

Date Purchased: _____

Price Paid: _____

Dealer Name: _____

Pickup Make: _____

Model: _____

Year: _____

Product Purchased:

Original TruXedo

TruXedo Lo Pro

TruXedoPlus

TruXport

Shur-Co.



P.O. Box 713, 2309 Shur-Lok Street Yankton, South Dakota 57078

Call Toll Free: 1-877-878-9336 Mon - Fri 8 am - 5 pm CT Fax: (605) 664-9304 Web Site: <http://www.truxport.com>



P/N 1116032 Rev D