



# INSTALLATION INSTRUCTIONS

## Pushbutton and Camlocks

Call (970) 564-1762 for Technical Support

### **Mounting Directions** (1-Pushbutton lock, 2-Flat key security cam-lock, 3-Tubular key cam-lock)

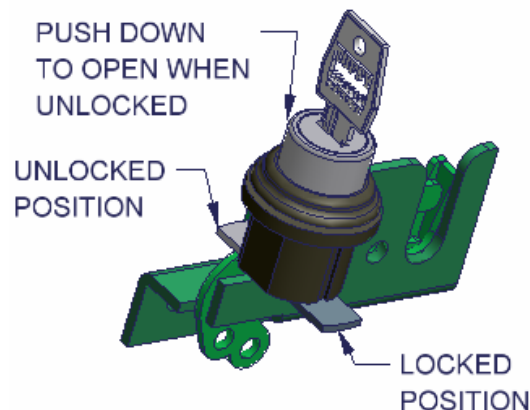
#### **1. PUSHBUTTON LOCK**

**IMPORTANT: IF THE PUSHBUTTON LOCK IS NOT MOUNTED CORRECTLY THE LOCK WILL NOT BE ABLE TO UNLOCK THE LATCH WHEN THE LID IS CLOSED!**

**NOTES: MAKE SURE THE CAM IS TIGHTENED ON THE PUSHBUTTON LOCK, THERE IS NO NEED TO REMOVE THE CAM.**

1. Remove the pushbutton lock by loosening the large mounting nut and maneuvering it out of the mounting hole while leaving the cam attached.
2. Install the finger pull lever on the lock.
3. Insert the lock in the unlocked position with the key fully rotated clockwise. DO NOT PUT THE NUT ON THE LOCK YET, ONLY SET IT IN THE HOLE.
4. Close the lid and check that the lock is functioning properly in the locked and unlocked position.
5. If the lock is not functioning properly it is not inserted correctly in the hole. Remove the lock and reinstall 180 degrees. To open the lid remove the lock and manually press on the latch release lever. Repeat steps until lock functions properly.
6. Once lock is functioning properly install the large mounting nut.

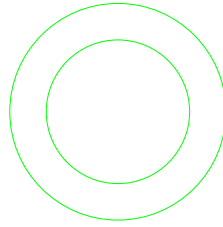
#### **PUSHBUTTON LOCK**



#### **2. FLAT KEY SECURITY CAM-LOCK**

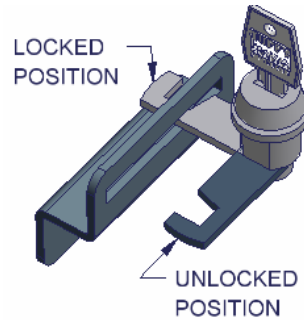
1. Remove the lock by loosening the large mounting nut and maneuvering the lock out through the mounting hole with the cam connected.
2. If you have a flat key security cam-lock with a large washer lock spacer, you will need to reuse the large washer lock spacer when installing the finger pull lever or dust cover.

### LARGE WASHER LOCK SPACER



3. Slide the lock (with the large washer lock spacer if applicable) onto the finger pull or the dust cover.
4. Insert the assembly back into the Tuffy box.
5. Tighten the lock down with the large lock-mounting nut.
6. Check lock operation.

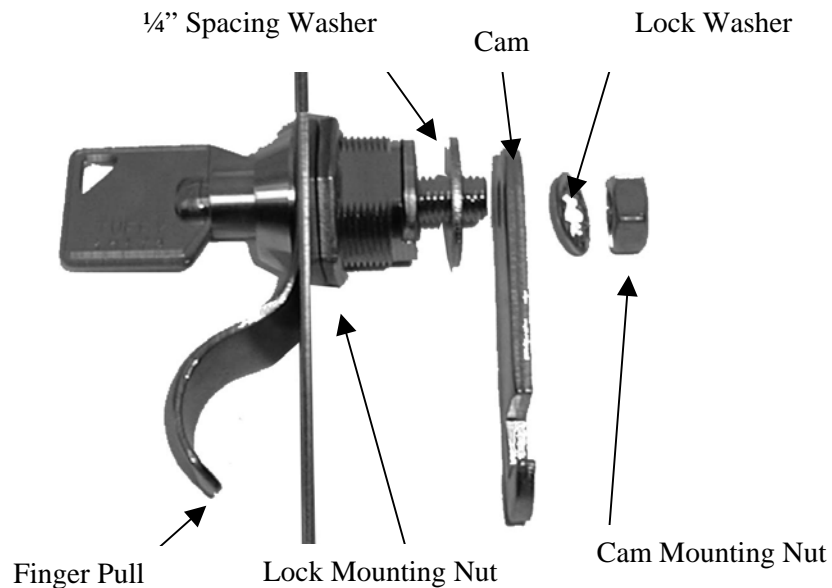
### CAM-LOCK OPERATION



## 3. TUBULAR KEYED CAM-LOCK

1. Remove the cam-lock by loosening the cam mounting nut, the lock washer, the cam, and the large lock-mounting nut.
2. Slide the lock onto the finger pull or the dust cover.
3. Insert the assembly back into the Tuffy box.
4. Re-install the hardware with the new 1/4" spacing washer (supplied) before the cam, lock-washer, and cam mounting nut.

### TUBULAR LOCK ASSEMBLY WITH 1/4" SPACING WASHER



5. Tighten the lock down with the large lock-mounting nut.
6. Check lock operation.