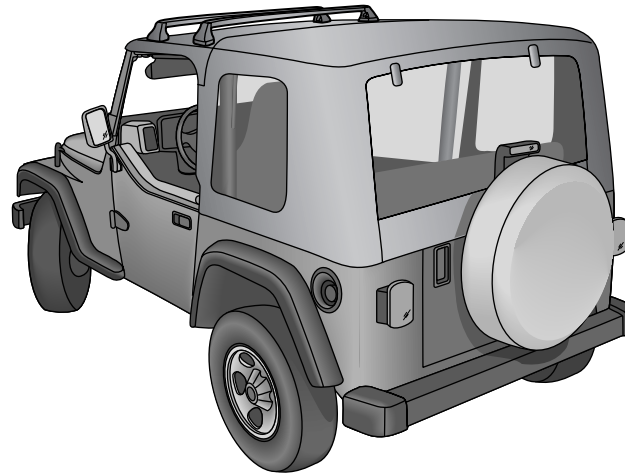




Cockpit Cover Roof Rack Installation Instructions

For: Wrangler, 1986 - current

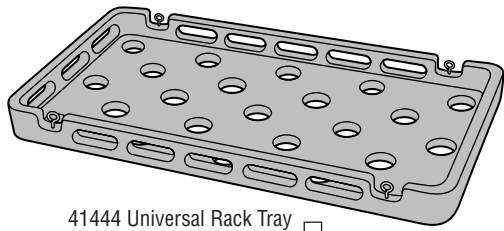
Part Number: 41401



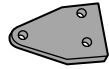
	WARNING
<p>This product is designed to enhance the appearance of the vehicle. Do not rely in any way on the components of this product to contain occupants within the vehicle, or to protect against injury or death in the event of an accident. Never operate vehicle in excess of manufacturer's specifications.</p>	
WEAR SEAT BELTS AT ALL TIMES	
<p>Read and follow, precisely, all installation instructions provided when installing this product. Failure to do so could place occupants of the vehicle in a potentially dangerous situation. After installing or reinstalling, check to make sure it has been properly installed.</p>	

Table of Contents	
COCKPIT COVER ROOF RACK PARTS LIST	PAGE 2
COCKPIT COVER ROOF RACK HARDWARE IDENTIFICATION	PAGE 2
COCKPIT COVER ROOF RACK TOOLS NEEDED.....	PAGE 2
COCKPIT COVER ROOF RACK INSTALLATION	PAGE 3
COCKPIT COVER ROOF RACK WARRANTY	PAGE 4

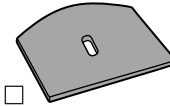
Parts List and Hardware Identification



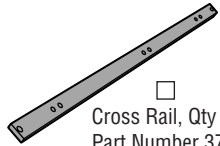
41444 Universal Rack Tray
(Sold Separately), Qty - 1



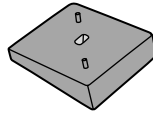
Tray Mounting Tab, Qty - 4,
Part Number 374.77



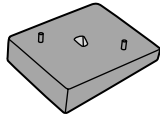
Gasket, Qty - 4,
Part Number 347.88



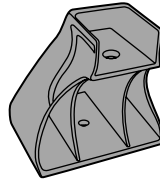
Cross Rail, Qty - 2,
Part Number 374.78



Pillar Shim - Rt, Qty - 1,
Part Number 348.66



Pillar Shim - Lt, Qty - 1,
Part Number 348.67



Pillar, Qty - 4,
Part Number 348.69

Tools Needed

#2 Phillips Screwdriver
7/16" Wrench

1/4-20 x 3/4" Pan Head Phillips Screw, Qty - 8, Part Number 257.92		
1/4-20 x 1" Hex Head Screw, Qty - 2, Part Number 394.85		
1/4-20 x 1-1/2" Hex Head Screw, Qty - 2, Part Number 395.25		
1/4-20 x 1-1/4" Pan Head Phillips Screw, Qty - 8, Part Number 397.22		
1/4" Internal Star Lock Washer, Qty - 20, Part Number 397.21		
1/4-20 Hex Nut, Qty - 12, Part Number 397.20		

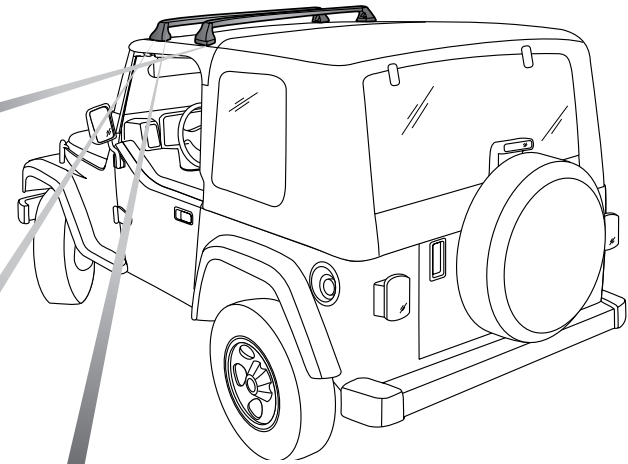
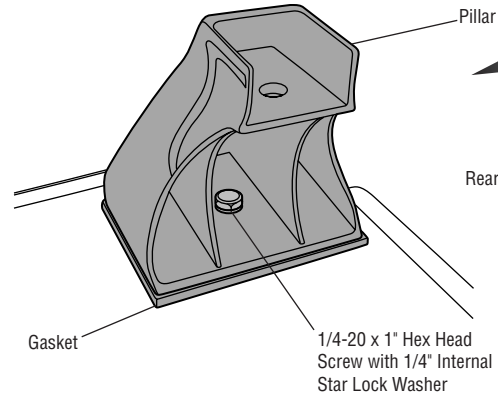
Installation

Step One

INSTALL REAR PILLARS ON COCKPIT COVER

Locate the four screws on the roof of the Cockpit Cover. Turn them counter clockwise to remove them.

Place a Gasket over each of the rear holes with the rounded corners facing the outside of the cover. Fill each hole with three 1/4" Flat Washers. Place a Pillar over each Gasket and install a 1/4-20 x 1" Hex Head Screw with a 1/4" Internal Star Lock Washer. DO NOT fully tighten the screws at this time.

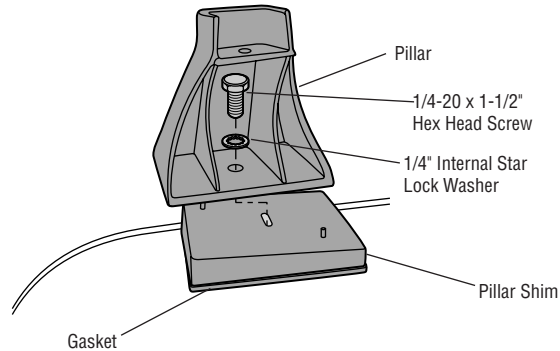


Step Two

INSTALL FRONT PILLARS ON COCKPIT COVER

Place a Gasket over each of the front holes in the shell with the rounded corners toward the outside of the shell. Fill each hole with three 1/4" Flat Washers.

Locate the Pillar Shims in the parts kit. They will be marked "Front Rt" and "Front Lt" on the under side. Place the shims over the Gasket at the appropriate hole in the shell with the rounded corners toward the outside of the shell. The tall side of the Shim should be toward the front. Install a Pillar over each shim using a 1/4-20 x 1-1/2" Hex Head Screw and a 1/4" Internal Star Lock Washer. The sides of the Pillar should be flush with the Shim when the Shim is oriented correctly. DO NOT fully tighten the screws at this time.

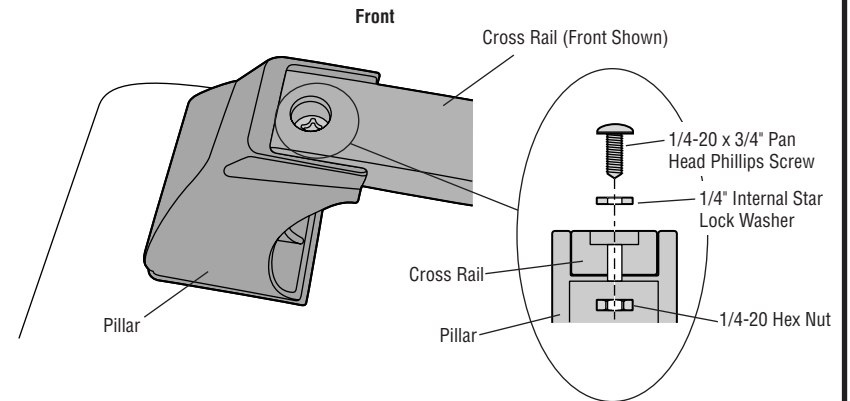


Step Three

Install Cross Rails

Orient the Cross Rails with the large holes on the ends facing up and place them on each set of Pillars.

Secure each Cross Rail to the Pillars using two 1/4-20 x 3/4" Pan Head Phillips Screws, two 1/4" Internal Star Lock Washers and two 1/4-20 Hex Nuts for each rail. Securely tighten all fasteners, including the screws that secure the Pillars to the roof.



Step Four

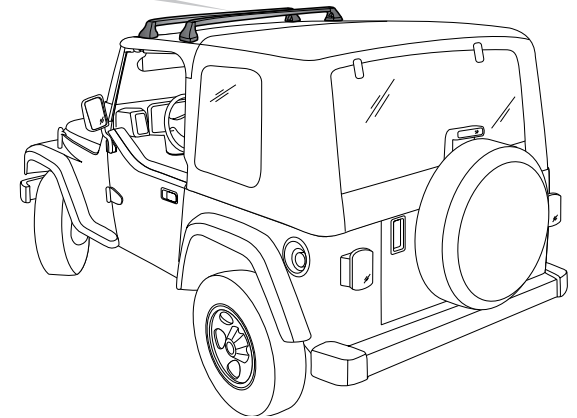
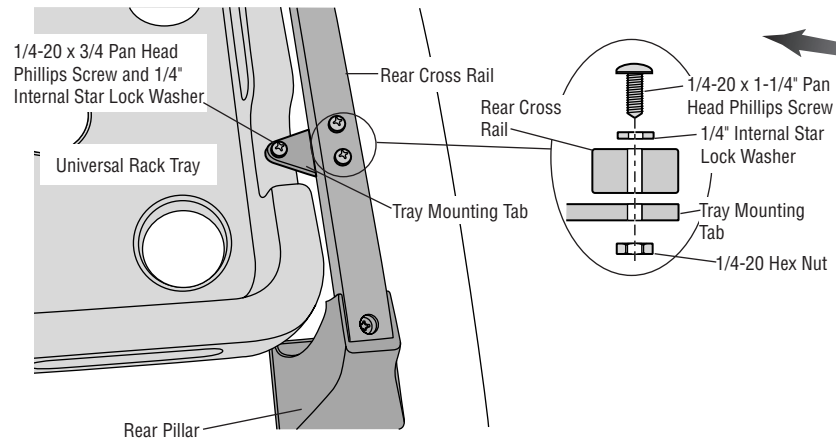
Secure 41444 Universal Rack Tray to Rear Cross Rail (Optional)

Remove the eye bolts from the Tray and place it on top of the roof between the Cross Rails. Loosely attach the narrow end of a Tray Mounting Tab to each of the eye bolt holes in the Tray using a 1/4-20 x 3/4" Pan Head Phillips Screw and a 1/4" Internal Star Lock Washer and a 1/4" Internal Star Lock Washer for each Tab.

Secure the other end of the Tray Mounting Tabs to the underside of the rear Cross Rail using two 1/4-20 x 1-1/4" Pan Head Phillips Screws, two 1/4" Internal Star Lock Washers and two 1/4-20 Hex Nuts for each tab. Tighten the screws for the Tray Mounting Tabs.

The two holes in the center of each rail will not be used.

The maximum load is 50 lbs. evenly distributed.



LIMITED WARRANTY

We warrant our product to be free from defects in material and workmanship, for terms specified below, provided there has been normal use and proper maintenance. This warranty applies to the original purchaser only. All remedies under this warranty are limited to the repair or replacement of any item or items found by the factory to be defective within the time period specified.

If you have a warranty claim, first you must call our factory at the number below for instructions. You must retain proof of purchase and submit a copy with any items returned for warranty work. Upon completion of warranty work, if any, we will return the repaired or replaced item or items to you freight prepaid. Damage to our products caused by accidents, fire, vandalism, negligence, misinstallation, misuse, Acts of God, or by defective parts not manufactured by us, is not covered under this warranty.

THE WARRANTY TIME PERIOD IS AS FOLLOWS: ALL "GOODS" MANUFACTURED BY OUR COMPANY: ONE YEAR FROM DATE OF PURCHASE.

ANY IMPLIED WARRANTIES OF MERCHANTABILITY AND/OR FITNESS FOR A PARTICULAR PURPOSE CREATED HEREBY ARE LIMITED IN DURATION TO THE SAME DURATION AND SCOPE AS THE EXPRESS WRITTEN WARRANTY. OUR COMPANY SHALL NOT BE LIABLE FOR ANY INCIDENTAL OR CONSEQUENTIAL DAMAGE.

Some states do not allow limitations on how long an implied warranty lasts, or the exclusion or limitation of incidental or consequential damages, so the above limitations or exclusions may not apply to you.

This warranty gives you specific legal rights, and you may also have other rights which vary from state to state.

For further information, please contact:

Bestop Inc.
Customer Service
(800)346-3910
(303)465-1755

