



Installation Instructions Roughrider Tailgate Shelf

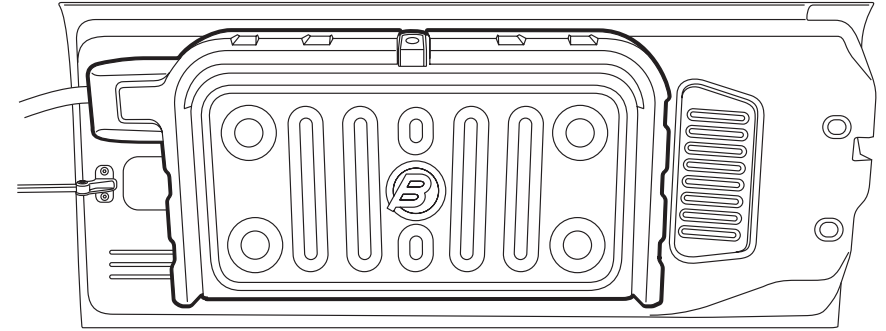
Vehicle Application:
Jeep® Wrangler 2007-2017
Part Number 54140

Installation Tips

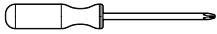


Before you begin installing your new Roughrider Tailgate Shelf, please read all the instructions thoroughly.

WARNING Do not rely in any way on the components of this product to protect against injury or death in the event of an accident. Never operate the vehicle in excess of manufacturer's specifications.

Read and follow, precisely, all installation instructions provided when installing this product. Failure to do so may result in a poor fit and could place occupants of the vehicle in a potentially dangerous situation.



WEAR SEAT BELTS AT ALL TIMES

Tools	Installation Time	Support
 Phillips Screwdriver	 15 minutes Skill Level  1 - Easy	We're here to help! Bestop Customer Service: 800-845-3567 OR Go to www.Bestop.com and click on "Contact Us"

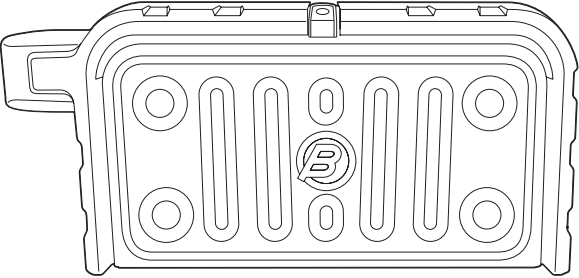
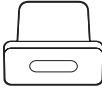
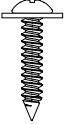


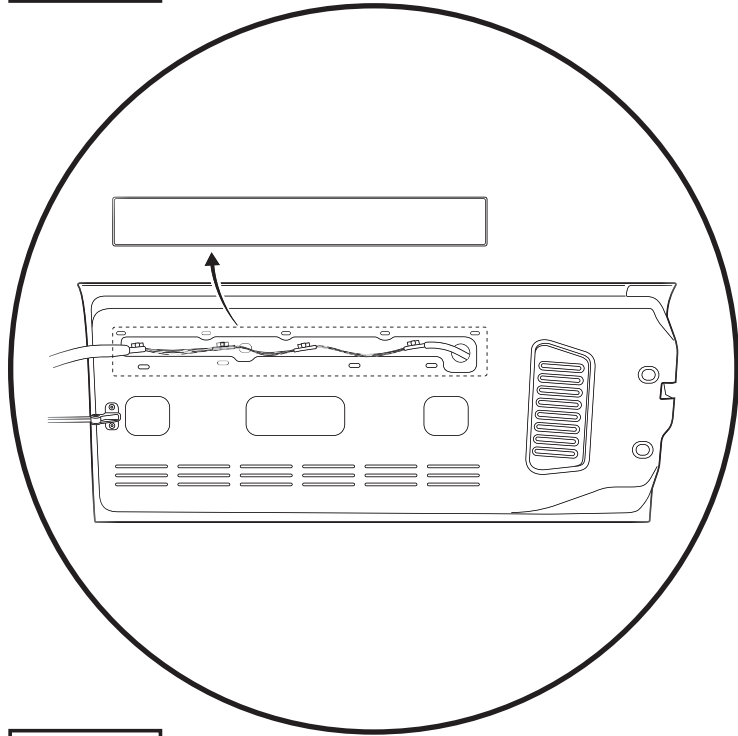
Installation Instructions Roughrider Tailgate Shelf

Vehicle Application:
Jeep® Wrangler 2007-2017
Part Number 54140

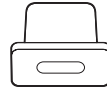
Parts List

- Required parts for installation

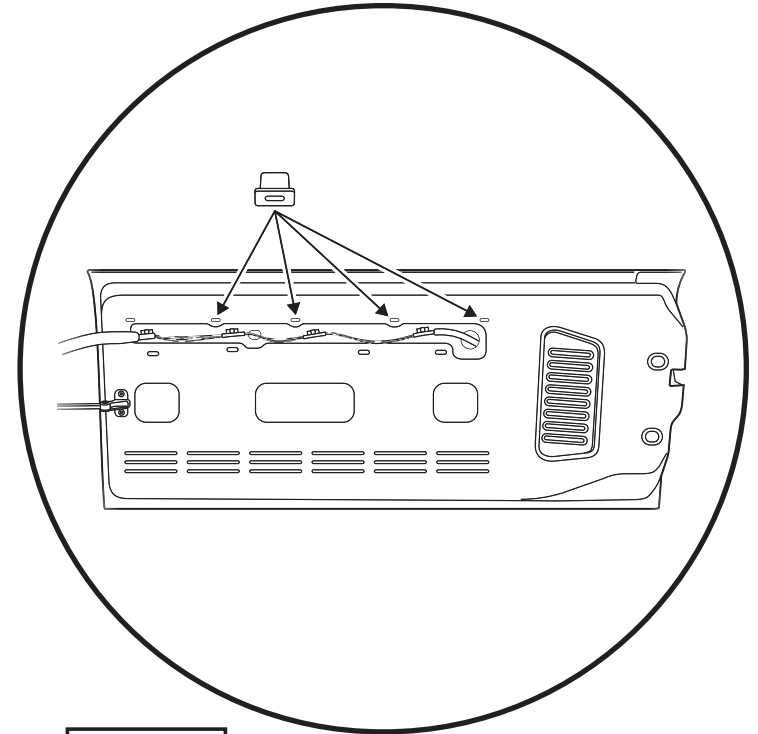
All Sections	Tailgate Shelf & Hardware	Pages 3 to 6 of Guide
 <p>Tailgate Shelf Part #539.65 Qty. 1</p>	 <p>Tailgate Plug Part #139.23 Qty. 4</p>	 <p>M6x18 Washer Head Screw Part #371.25 Qty. 4</p>

Step 1**Step 1**

Open the vehicle tailgate, and remove the plastic trim panel at the top inside of the tailgate.

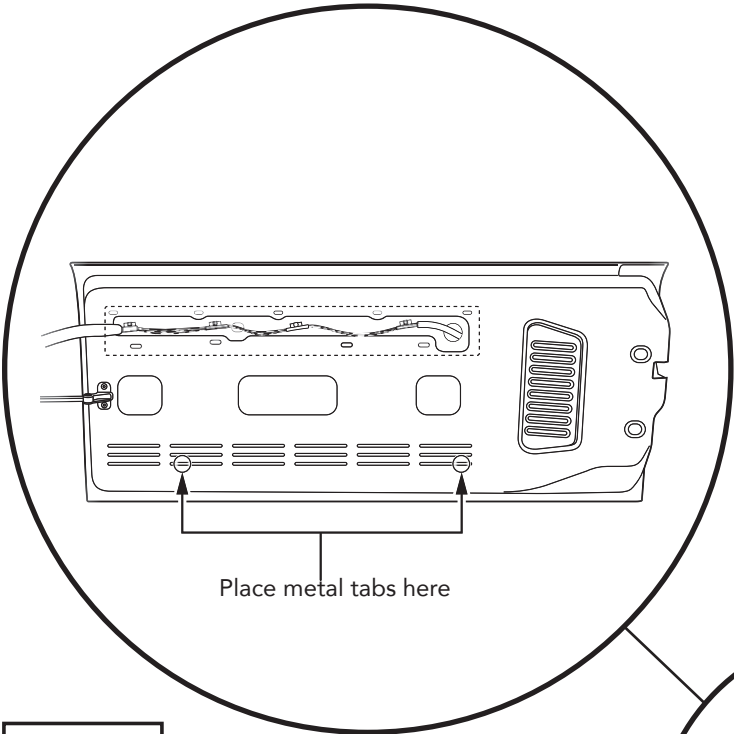
Hardware

Tailgate Plug
Part #139.23
Qty. 4

Step 2 139.23**Step 2**

Place a Tailgate Plug #139.23 into each of the 4 indicated slotted holes in the tailgate, as shown above. Do not use the left-most hole.

Step 1 539.65

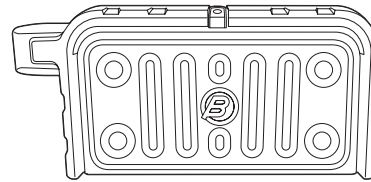


Step 1

Install the Tailgate Shelf #539.65 onto the tailgate.

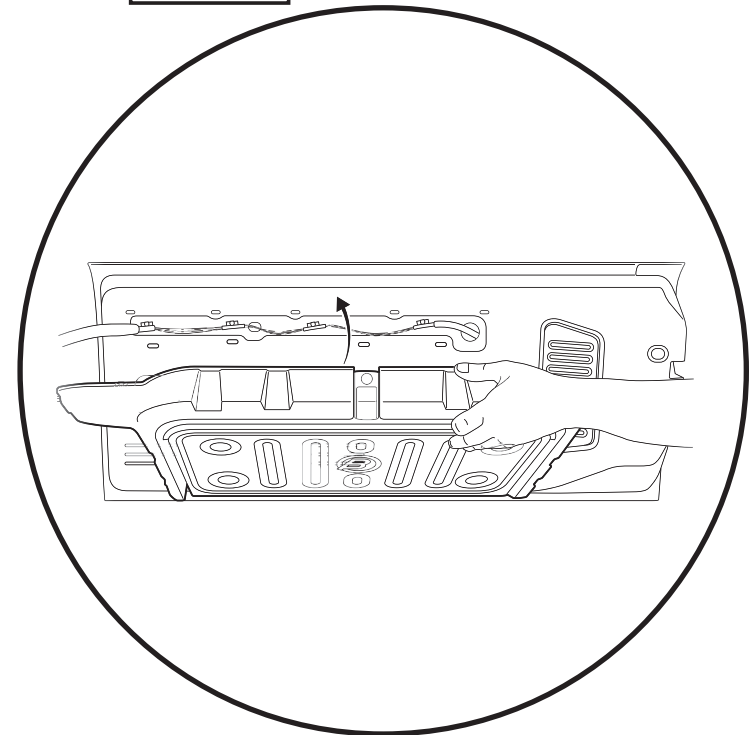
Locate the Tailgate Shelf by placing the metal tabs on the back side of the Tailgate Shelf into the lowest slotted holes in the lower part of the inside of the tailgate.

Hardware



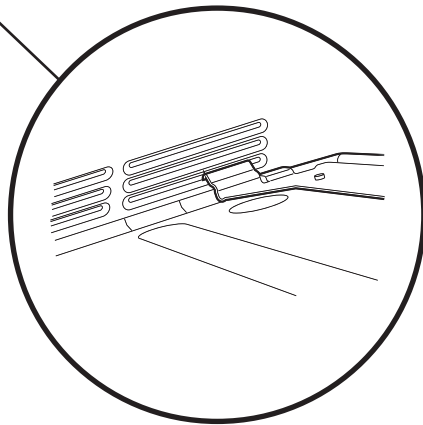
Tailgate Shelf
Part #539.65
Qty. 1

Step 2

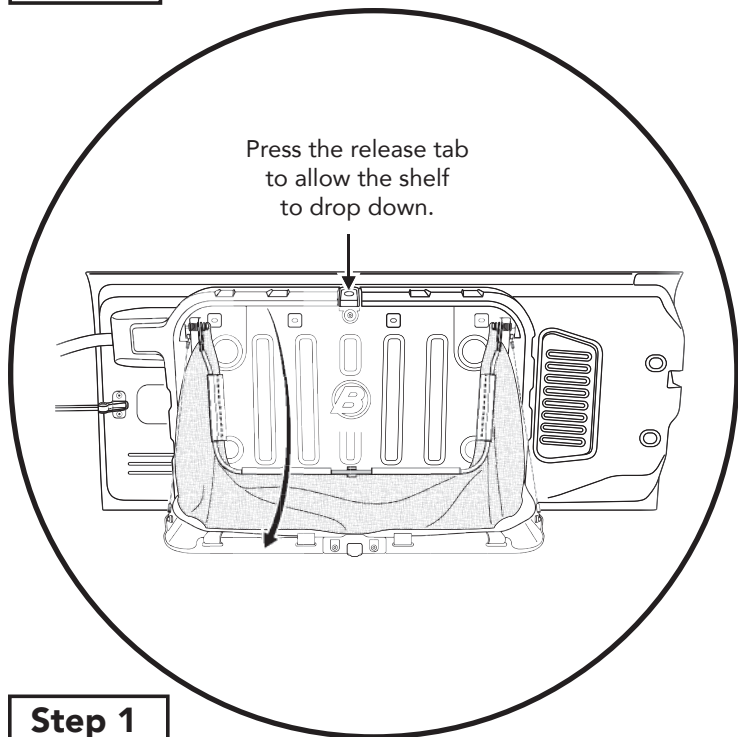


Step 2

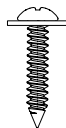
With the metal tabs located in the slotted holes, pivot the Tailgate Shelf up and into place.



Step 1



Hardware



M6x18
Washer Head Screw
Part #371.25
Qty. 4

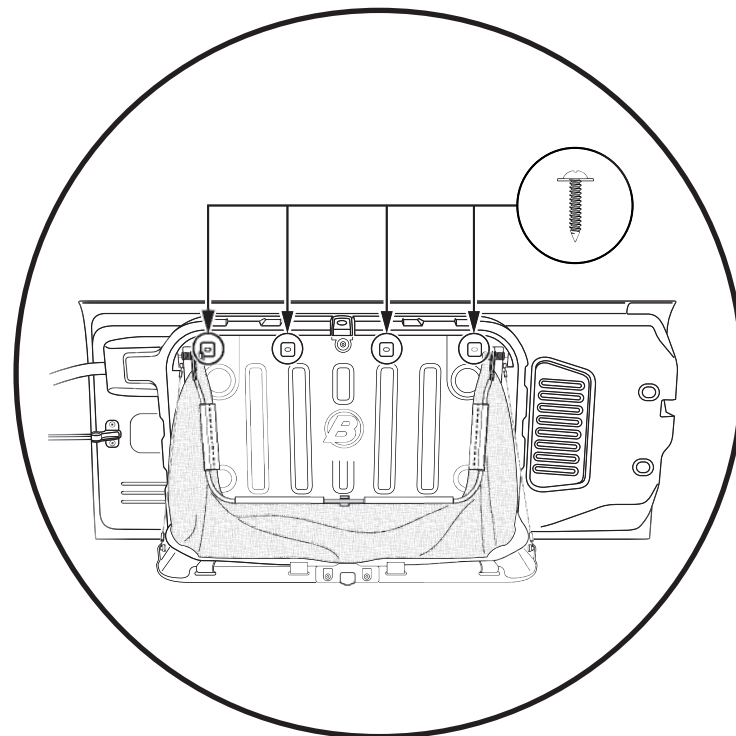
Tools



Phillips Screwdriver

Step 2

371.25



Step 1

While holding the Tailgate Shelf in place, press the release tab at the top middle of the Tailgate Shelf to release the catch and allow the shelf to drop down.

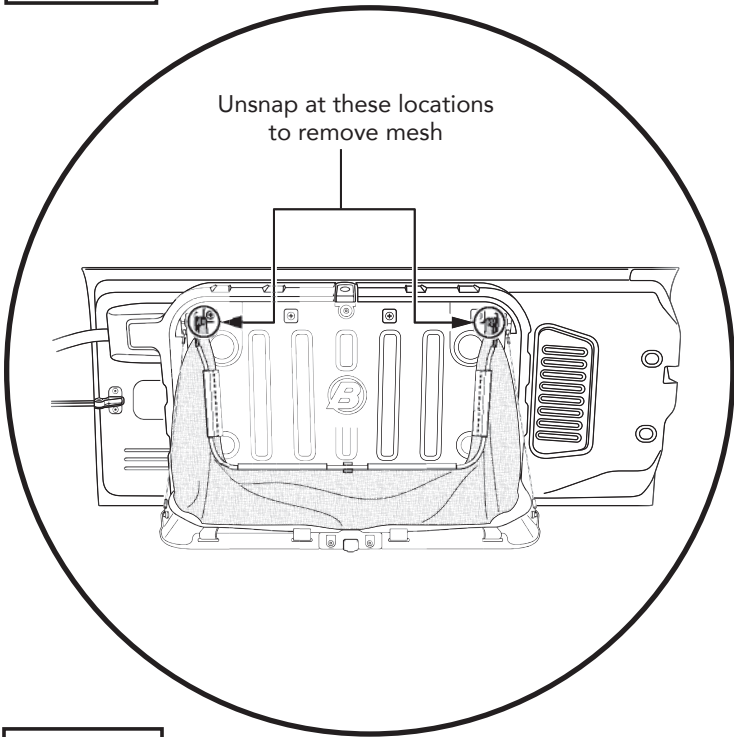
Step 2

Use the four (4) #371.25 Washer Head Screws to fasten the Tailgate Shelf to the tailgate.

Place the screws into the holes in the Tailgate Shelf with the Tailgate Plugs behind.

Use a Phillips screwdriver to tighten the screws.

Step 1



Step 1

To remove the mesh fabric, unsnap the snaps at the top left and right side pivot points.

Pivot the shelf up and snap into place to stow.



Installation Instructions Roughrider Tailgate Shelf

Vehicle Application:
Jeep® Wrangler 2007-2017
Part Number 54140

BESTOP WARRANTY SUMMARY

Updated January 2017

What Bestop Warrants

Subject to the terms and conditions of sale, including any terms and conditions set forth by Bestop, Inc. ("Bestop" or "us" or "we") in our then-current terms of sale on our website (collectively, the "Terms"), Bestop represents and warrants that: the covered products listed in the "Covered Products and Warranty Periods" section (a "Product") will substantially be free from defects in materials and workmanship for the specified warranty periods set forth in that section.

The Warranty is Limited and Conditional

This warranty applies to the original purchaser of the Product only. The warranty is valid only as long as the original retail purchaser owns the vehicle upon which the Product is installed. The warranty expires should the Product be removed from the original vehicle or if the original vehicle is transferred to another owner. This warranty is not transferable or assignable. The warranty does not apply to Product bought from auction-style or price-bid websites.

The limited warranty and stated remedies ARE SOLE AND EXCLUSIVE AND IN LIEU OF ALL OTHER WARRANTIES AND REMEDIES, AND COMPANY EXPRESS DISCLAIMS ALL IMPLIED OR STATUTORY OR OTHER WARRANTIES, INCLUDING WITHOUT LIMITATIONS WARRANTIES OF MERCHANTABILITY, NON-INFRINGEMENT OR FITNESS FOR A PARTICULAR PURPOSE. IN NO EVENT WILL Company BE LIABLE FOR ANY SPECIAL, INCIDENTAL, CONSEQUENTIAL, PUNITIVE, INDIRECT OR EXEMPLARY DAMAGES OF ANY KIND, INCLUDING LOST PROFITS OR REVENUE, HOWEVER CAUSED, WHETHER FOR BREACH OR REPUDIATION OF CONTRACT, TORT, BREACH OF WARRANTY, NEGLIGENCE, OR OTHERWISE, WHETHER OR NOT Company WAS ADVISED OF THE POSSIBILITY OF SUCH LOSS OR DAMAGES. Some states do not allow exclusion or limitation, so this may not apply to you. This warranty gives you specific legal rights, and you may have other rights which vary from state to state.

Exclusions to the Warranty

The Limited Warranty excludes, and Bestop is not liable in any way for any warranty claims, damages, or defects related to:

- Misuse, abuse, accidents, vandalism, negligence, fire, or improper installation or modification, or improper or inadequate maintenance;
- Failure to comply with any Product documentation, Bestop instructions, or applicable law or regulations;
- Use in extreme conditions;
- Force Majeure including but not limited to, earthquake, hurricane, tornado, flooding, or other disasters natural or man-made, civil unrest, strikes, declared or undeclared war, or lack of performance by, or discontinued product of, supply chain partners whose products, software, operations or management is beyond the control of Bestop;
- Damage resulting in breakage (including without limitation spontaneous breakage, accidental breakage or breakage by any other means) of a Product or any component part; or
- Cracking of vinyl windows due to misuse or attempting to roll up any window panel in freezing cold temperatures is not covered under the product warranty.

Your Sole Remedy

During the applicable warranty period, Bestop shall, at its option, either repair or replace any Product that it confirms, in its discretion, is non-compliant with the warranties herein. Bestop will not pay for labor charges associated with installation or removal of the Product. Should a specific Product be discontinued, Bestop may, at its option, replace the discontinued Product with a current product or like product. Upon completion of warranty work, if any, we will return the repaired or replaced item or items to you.

Please retain your proof of purchase. Original proof of purchase for the Product must accompany any warranty claim. If you have a warranty claim, first you must email Bestop Customer Service at csbestop@bestop.com for instructions. All claims must be emailed to csbestop@bestop.com within 30 days of discovery of a defective Product, but in no event later than thirty days after the end of the applicable Warranty Period (the "Warranty Notice Period"). Warranty claims made after the Warranty Notice Period are null and void and Bestop shall have no responsibility with respect to such claims.

THIS SECTION SETS FORTH BESTOP'S SOLE OBLIGATION AND YOUR SOLE REMEDY WITH RESPECT TO ANY DEFECTS OR OTHER PRODUCT ISSUE. ANY PRODUCTS REPLACED UNDER THE TERMS OF THIS WARRANTY WILL BE COVERED UNDER THE TERMS AND BALANCE OF THE DURATION OF THE ORIGINAL LIMITED WARRANTY FOR SUCH PRODUCT.
COVERED PRODUCTS AND Warranty Periods:



Installation Instructions Roughrider Tailgate Shelf

Vehicle Application:
Jeep® Wrangler 2007-2017
Part Number 54140

BESTOP WARRANTY SUMMARY (continued)

The warranty time periods are as follows for Products manufactured by Bestop:

BESTOP® LIMITED LIFETIME WARRANTY

Trektop® Pro Twill Fabric Top	Sunrider® for Hardtop Twill Fabric Top
Trektop® NX Glide Twill Fabric Top	Replace-a-Top™ Twill Fabric Top
EZRoll™ Soft Tonneaus	Trektop® NX Twill Fabric Top
EZFold™ Soft Tonneaus	Supertop® NX Twill Fabric Top
ZipRail™ Soft Tonneaus	Pet Barriers
Floor & Cargo Liners	

BESTOP® 5-YEAR LIMITED WARRANTY

Trektop® NX Glide Top (non-Twill)	Sunrider® for Hardtop (non-Twill)
Replace-a-Top™ Top (non-Twill)	Trektop® NX Top (non-Twill)
Sailcloth Replace-a-Top™	Supertop® NX Top (non-Twill)
Tigertop™ and Halftop™	Supertop® Classic Soft Top
Sunrider® Complete Soft Top	Supertop® for Truck
EZFold™ Hard Tonneau	

BESTOP® 3-YEAR/100K Miles (whichever is first) LIMITED WARRANTY

Powerboard® & Powerboard® NX	Trekstep®, Side Mount
Pavement Ends™ Sprint Top (3-years only)	Trekstep®, Rear Mount

BESTOP® 2-YEAR LIMITED WARRANTY

Trektop® Classic Soft Top	RoughRider™ Soft Storage
---------------------------	--------------------------

BESTOP® 1-YEAR LIMITED WARRANTY

All other Bestop & Pavement Ends products not specified above.