





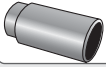
# Installation Instructions

## HighRock 4x4™ Rear Bumper SlideAway™

Vehicle Application: 1997 - 2006 Jeep® Wrangler and Wrangler Unlimited

•HighRock 4x4™ SlideAway™  
Part Number: 42904

[www.Bestop.com](http://www.Bestop.com) - We're here to help! Visit our web site and click on "[Ask a Question](#)". Click here for more [Jeep® Accessories by Bestop](#).

INSTALLATION TIME	SKILL LEVEL	
 1-1/2 Hours	 3 - Moderately Difficult	
TOOLS		
 Socket 18mm, 19mm and 15/16"	 Ratchet	 Safety Glasses



SlideAway™ shown with Universal Tray (sold separately)

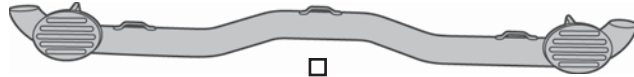
**! WARNING** This product is designed primarily to enhance the appearance of the vehicle. Do not rely in any way on the components of this product to protect against injury or death in the event of an accident. Never operate the vehicle in excess of manufacturer's specifications.

### WEAR SEAT BELTS AT ALL TIMES

Read and follow, precisely, all installation instructions provided when installing product. Failure to do so may result in a poor fit and could place occupants of the vehicle in a potentially dangerous situation.

# HighRock 4x4™ SlideAway™ Installation Instructions

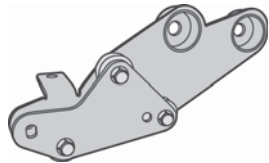
## Parts List and Hardware Identification



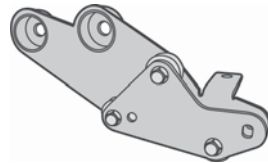
SlideAway™ Tube, Part Number 414.48, Qty - 1



SlideAway™ Arc, Part Number 414.49, Qty - 2



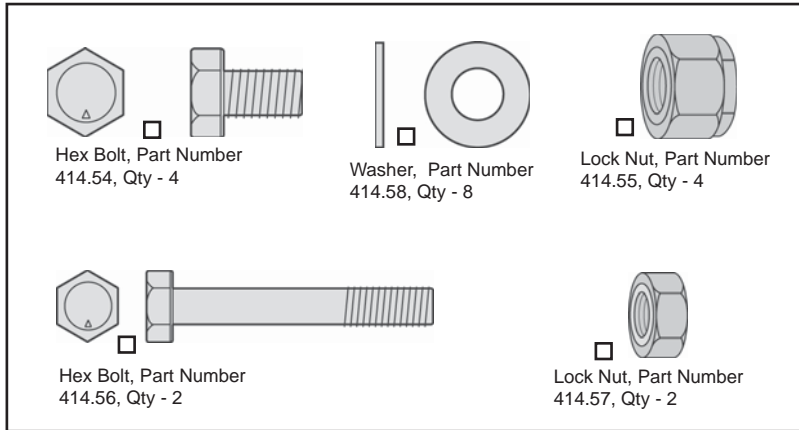
SlideAway™ Bracket - Rt., Part Number 414.50, Qty - 1



SlideAway™ Bracket - Lt., Part Number 414.51, Qty - 1



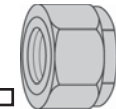
2" x 12" Reflective Tape, Part Number 414.52, Qty - 1



Hex Bolt, Part Number 414.54, Qty - 4



Washer, Part Number 414.58, Qty - 8



Lock Nut, Part Number 414.55, Qty - 4



Hex Bolt, Part Number 414.56, Qty - 2

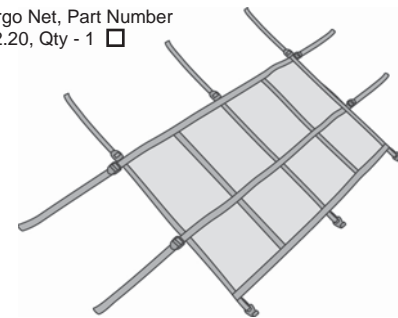


Lock Nut, Part Number 414.57, Qty - 2



Security Pins, Part Number 414.53, Qty - 2

Cargo Net, Part Number 412.20, Qty - 1

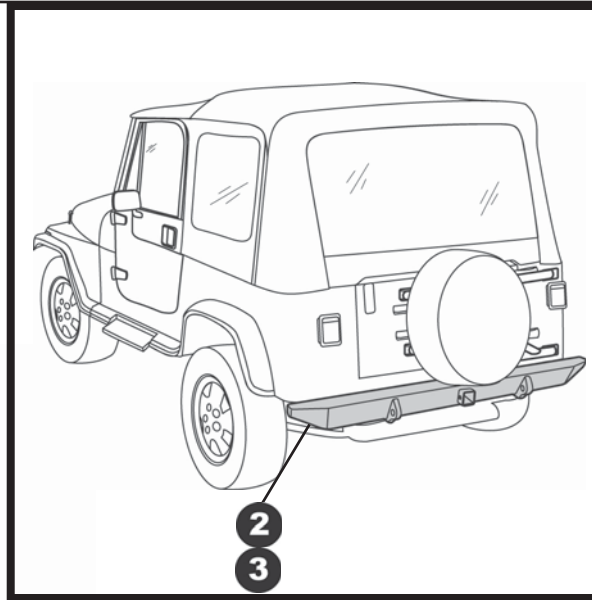
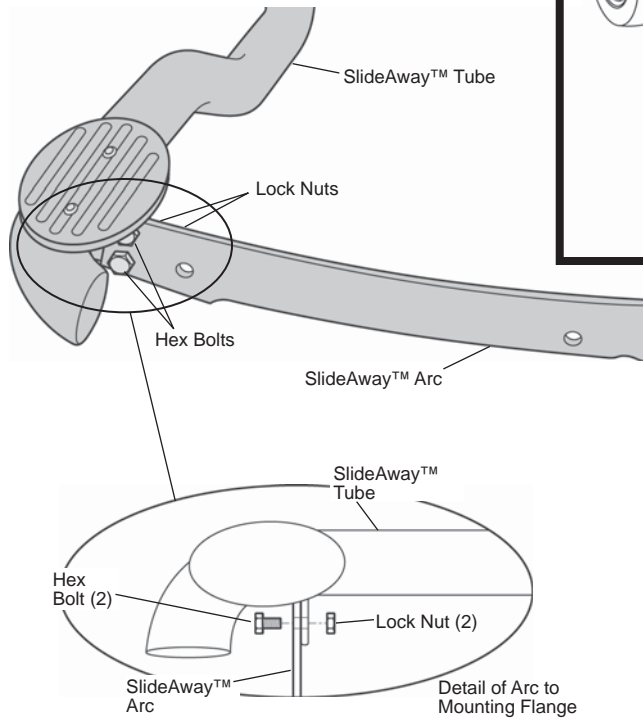


# HighRock 4x4™ SlideAway™ Installation Instructions

## 1 Assemble SlideAway™ Arcs to SlideAway™ Tube

Orient the SlideAway™ Arcs to the SlideAway™ Tube. Place one arc against the outside of the mounting flange on the tube and install two (2) 414.54 Hex Bolts from the outside and two (2) 414.55 Lock Nuts on the inside to attach it to the tube.

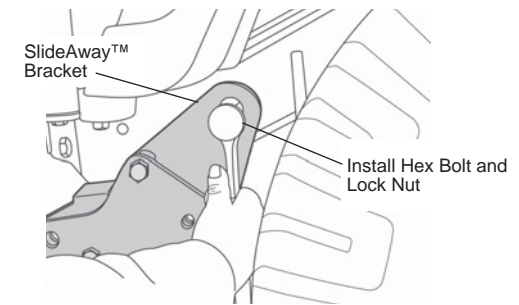
Repeat this with the other arc.



## 2 Install SlideAway™ Brackets

Locate the 414.56 Hex bolts in the parts kit. Place one of these through the hole in the side of the SlideAway™ Bracket. Thread the bolt into the hole in the frame and place a 414.57 Lock Nut on the end of the bolt. Tighten the bolt.

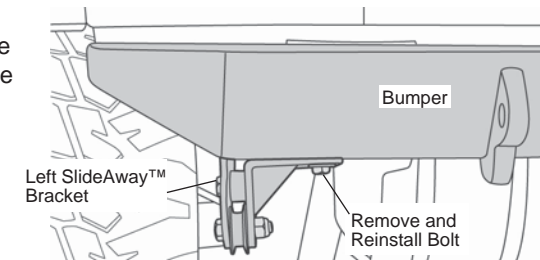
Repeat this on the other side of the vehicle.



## 3 Install Rear SlideAway™ Brackets

Remove the 18mm bolt under the bumper. Orient the Left SlideAway™ Bracket on the vehicle so that the straight tab goes under the frame. Use the bolt you removed to mount the bracket to the bottom of the frame. Repeat with the other SlideAway™ Bracket.

**NOTE** Depending on your vehicle, the clearance for the bolt may be tight between the frame and the exhaust pipe on the right side of the vehicle.

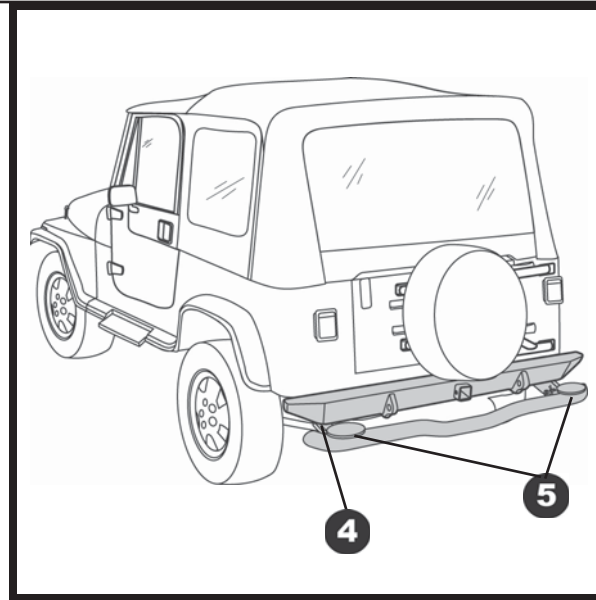
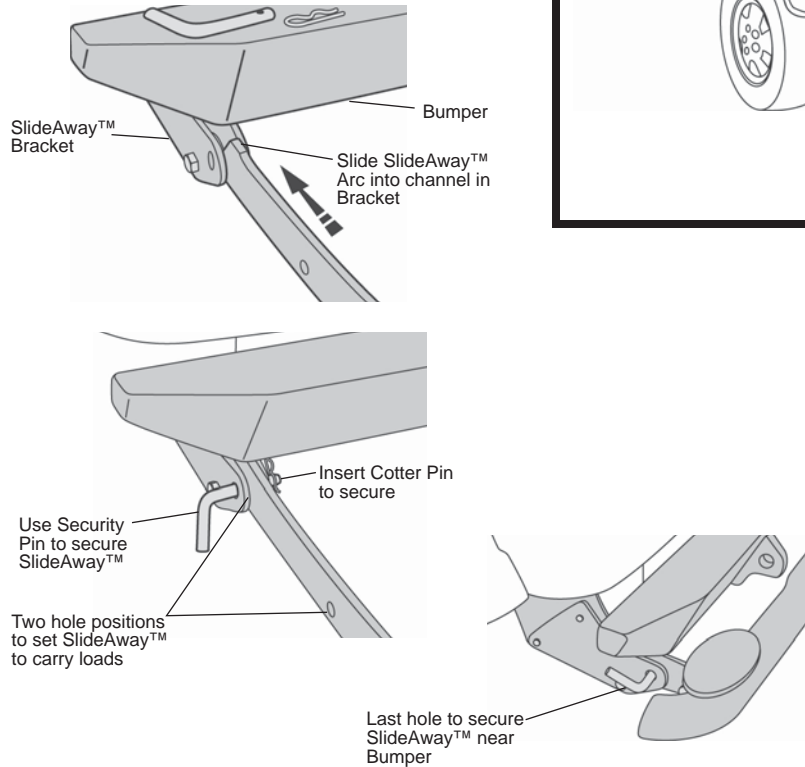


# HighRock 4x4™ SlideAway™ Installation Instructions

## 4 Install SlideAway™ Tube Assembly into Bracket

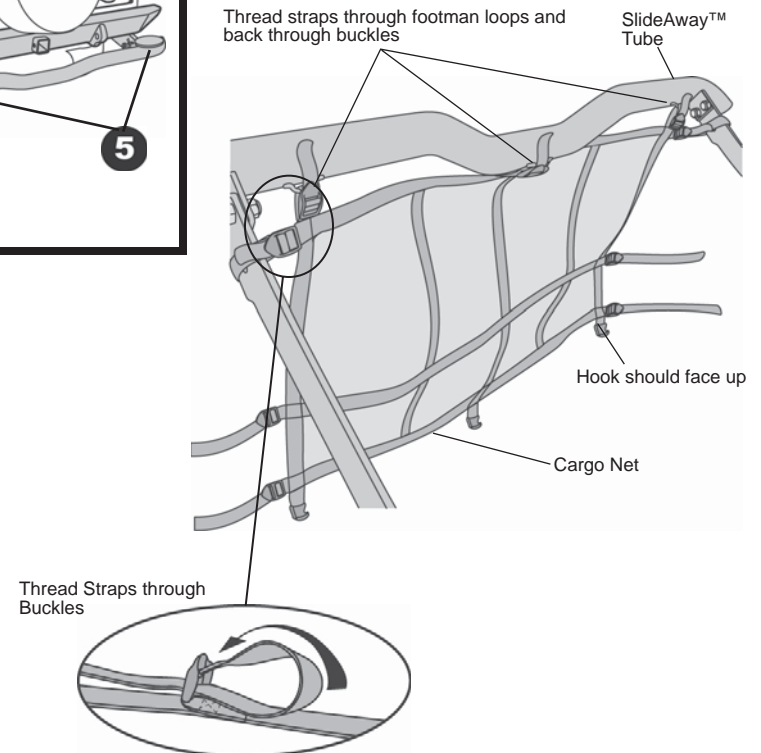
Remove the Cotter Pins from the Security Pin Assemblies and set all of the pieces on the bumper so that they can be reached easily. Slide the ends of the SlideAway™ Arcs into the center channels in the SlideAway™ Brackets.

There are two hole positions in the arcs for carrying cargo depending on the size of the load and there is a hole to secure the SlideAway™ next to the bumper.



## 5 Install Cargo Net

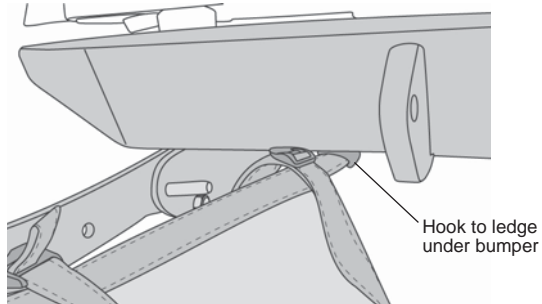
Secure the Slider in one of the two load carrying positions with the Security Pin and Cotter Pin. Place the Cargo Net in the opening with the three (3) straps with buckles toward the SlideAway™ Tube. Make sure that the hooks near the bumper are face up. Thread the straps through the footman loops on the SlideAway™ Tube and back through the buckles.



# HighRock 4x4™ SlideAway™ Installation Instructions

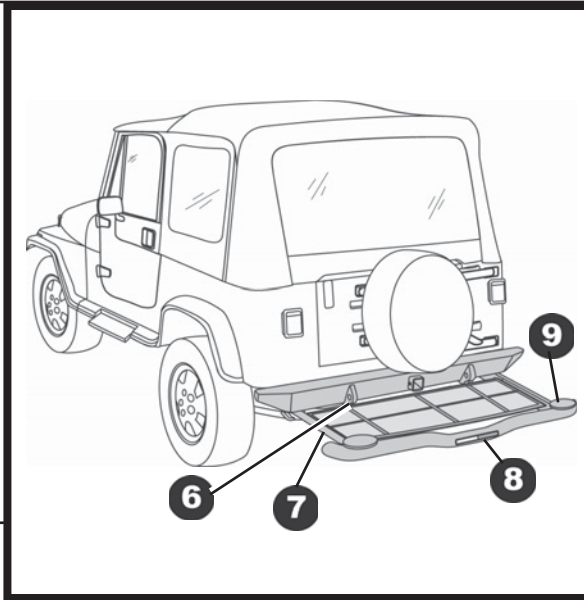
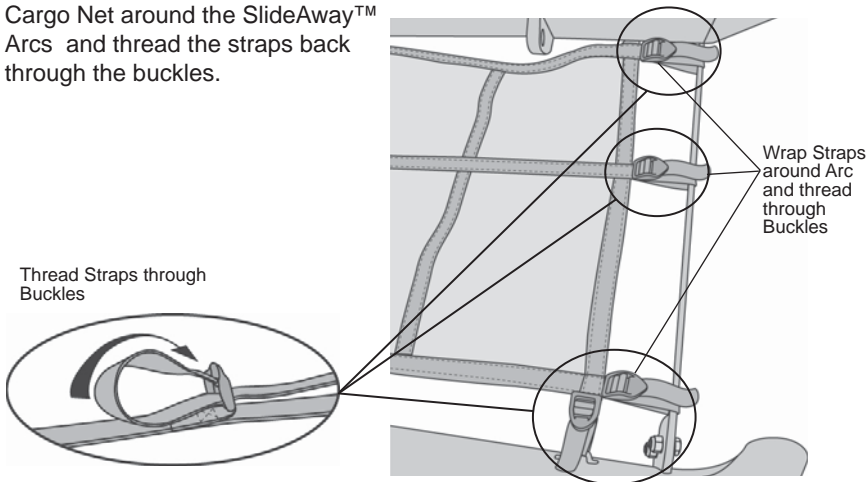
## 6 Hook Cargo Net to Bumper

Hook the three (3) hooks on the net to ledge along the bottom of the bumper.



## 7 Secure Cargo Net to SlideAway™ Arcs

Wrap the straps on the sides of the Cargo Net around the SlideAway™ Arcs and thread the straps back through the buckles.

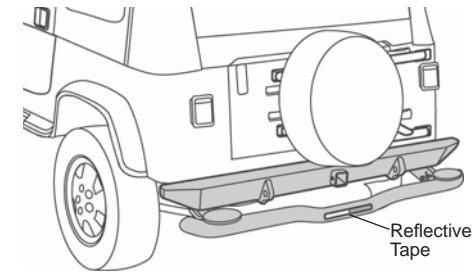


## CAUTION

We recommend installing the Reflective Tape for safety.

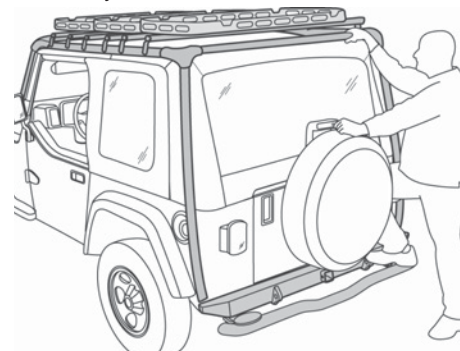
## 8 Install Reflective Tape on SlideAway™ Tube

Locate the Reflective Tape in the parts kit. Place it on the rear side of the SlideAway™ Tube in the center. Peel the backing off a little at a time and press the tape firmly into place.



## 9 Use SlideAway™ to Access Top Racks

The HighRock 4x4™ SlideAway™ may be used to access storage on the top of the vehicle. Make sure that the SlideAway™ Assembly is secured with the Security Pins and Cotter Pins before stepping on the pads on the sides of the SlideAway™ Tube.



## WARNING

Remove the SlideAway™ from the vehicle before attempting any difficult 4x4 trails. Failure to do so may result in damage to the product.

# HighRock 4x4™ SlideAway™ Installation Instructions

---

## Limited Warranty

We warrant our product to be free from defects in material and workmanship, for the terms specified below, provided there has been normal use and proper maintenance. This warranty applies to the original purchaser only. All remedies under this warranty are limited to the repair or replacement of any item or items found by the factory to be defective within the time period specified.

If you have a warranty claim, first you must call our factory at the number below for instructions. You must retain proof of purchase and submit a copy with any items returned for warranty work. Upon completion of warranty work, if any, we will return the repaired or replaced item or items to you freight prepaid. Damage to our products caused by accidents, fire, vandalism, negligence, misinstallation, misuse, Acts of God, or by defective parts not manufactured by us, is not covered under this warranty.

THE WARRANTY TIME PERIOD IS AS FOLLOWS: ALL "PRODUCTS" MANUFACTURED BY OUR COMPANY: ONE YEAR FROM DATE OF PURCHASE.

ANY IMPLIED WARRANTIES OF MERCHANTABILITY AND/OR FITNESS FOR A PARTICULAR PURPOSE CREATED HEREBY ARE LIMITED IN DURATION TO THE SAME DURATION AND SCOPE AS THE EXPRESS WRITTEN WARRANTY. OUR COMPANY SHALL NOT BE LIABLE FOR ANY INCIDENTAL OR CONSEQUENTIAL DAMAGE.

Some states do not allow limitations on how long an implied warranty lasts, or the exclusion or limitation of incidental or consequential damages, so the above limitations or exclusions may not apply to you.

This warranty gives you specific legal rights, and you may also have other rights which vary from state to state.



For further information or request for warranty work, please contact:  
Bestop Inc. Customer Service  
(800) 845-3567  
(303) 465-1755