



www.hylineoffroad.com

1507 C West Park Avenue ~ Perkasie, PA 18944
Tel: 1.888.495.4631 ~ Fax: 215.257.4364

Proudly Made In USA

Installation Instructions:

JL Summit Recessed Winch Modular
Front Bumper
Part Number(s): **600.100.120**

Vehicle Fitment:

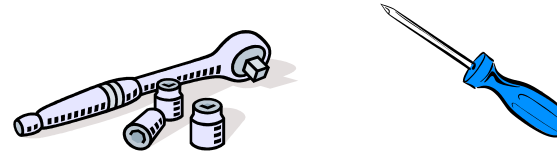
2018 - Present Jeep Wrangler
& Unlimited

Parts List

Qty:

- 1 Summit Front Bumper
- 2 Reinforcement Brackets
- 8 7/16"-20 Grade 8 Steel Hex Nut
- 8 7/16" Grade 8 Flat Washer
- 8 7/16" Grade 8 Split Lock Washer

Tools Needed



Ratchet
7mm Socket
8mm Socket
16mm Socket
18mm Deep Socket
6" Extension
11/16" Deep Socket

Panel Fastener
Tool or Flat Blade
Screwdriver

Congratulations on your purchase of the Hyline Offroad JL Summit Series Front Bumper. Our products are completely manufactured in our facility located in Perkasie, PA. They are designed and engineered for durability and long product life. We sincerely thank you for your purchase and your support. We look forward to serving you in the future.

Hyline Offroad Staff

PLEASE READ INSTRUCTIONS BEFORE BEGINNING INSTALLATION

Stock Front Bumper Removal

For video of Front Bumper Removal visit this YouTube Link

<https://youtu.be/zsG-ochuNy4>

If Applicable

Disconnect all Stock & Aftermarket External Lighting Wiring that is presently attached to existing bumper.

Figure 1



Step 1 – Using the panel fastener removal tool or flat screwdriver, remove the plastic factory frame rail cover by popping out the two panel fasteners from the top side. On plastic factory bumpers you will need to remove 8 more panel fasteners that connect the cover to the bumper. You will *NOT* be reusing this cover or panel fasteners. (See Figure 1)

Step 2 – Using the panel fastener removal tool, remove the factory air dam by popping out the 8 panel fasteners (See Figure 2). Then using an 8mm socket remove the two screws on the bottom of the air dam. (See Figure 3) You will *NOT* be reusing this air dam, hardware or panel fasteners.

Step 3 – Using 16mm socket remove the two bolts holding the metal shroud. Keep these two bolts if installing our air dam skid plate.



Figure 3



Figure 2

Step 4 – Using 18mm deep socket remove the eight hex nuts from backside of bumper. The nuts are located on the inside and outside of frame rails. Once all nuts are removed the bumper should be free to remove from the Jeep.
(See Figure 4 - Outside frame rails shown)

Step 5 – Using 16mm socket remove the bolt from each of the two brackets attached to the inside and outside of each frame rail. Retain these two bolts as they will be used later in Step 8
(See Figure 4)



Figure 4

Step 6 – If applicable, Unscrew Factory Fog Lights at this point using a 7mm socket. (4 on each light)

Installation of Hyline Offroad Bumper

Step 7 – Slide the Hyline front bumper onto the Jeep by placing the weld studs through the frame horns. Use the supplied 7/16-20 Grade 8 Nuts, Lock Washers and Flat Washers to assemble bumper to frame. Tighten All Nuts.

Step 8 – Now install the Winch Tray Reinforcement Brackets (one on each side) by sliding into place. Then using the 16mm socket, fasten the two bolts that were removed in Step 5. These brackets are added to strengthen the connection between the bumper and frame during heavy winching activity. (See Supplemental Diagram Page 5 for assembly view)

Optional Winch Installation

Step 1 – Fasten the fairlead supplied with winch to the front bumper & tighten.

Step 2 – Mount Winch into the bumper using supplied hardware with winch.

Step 3 – Tighten all winch bolts to manufacturers torque specifications.



Attention

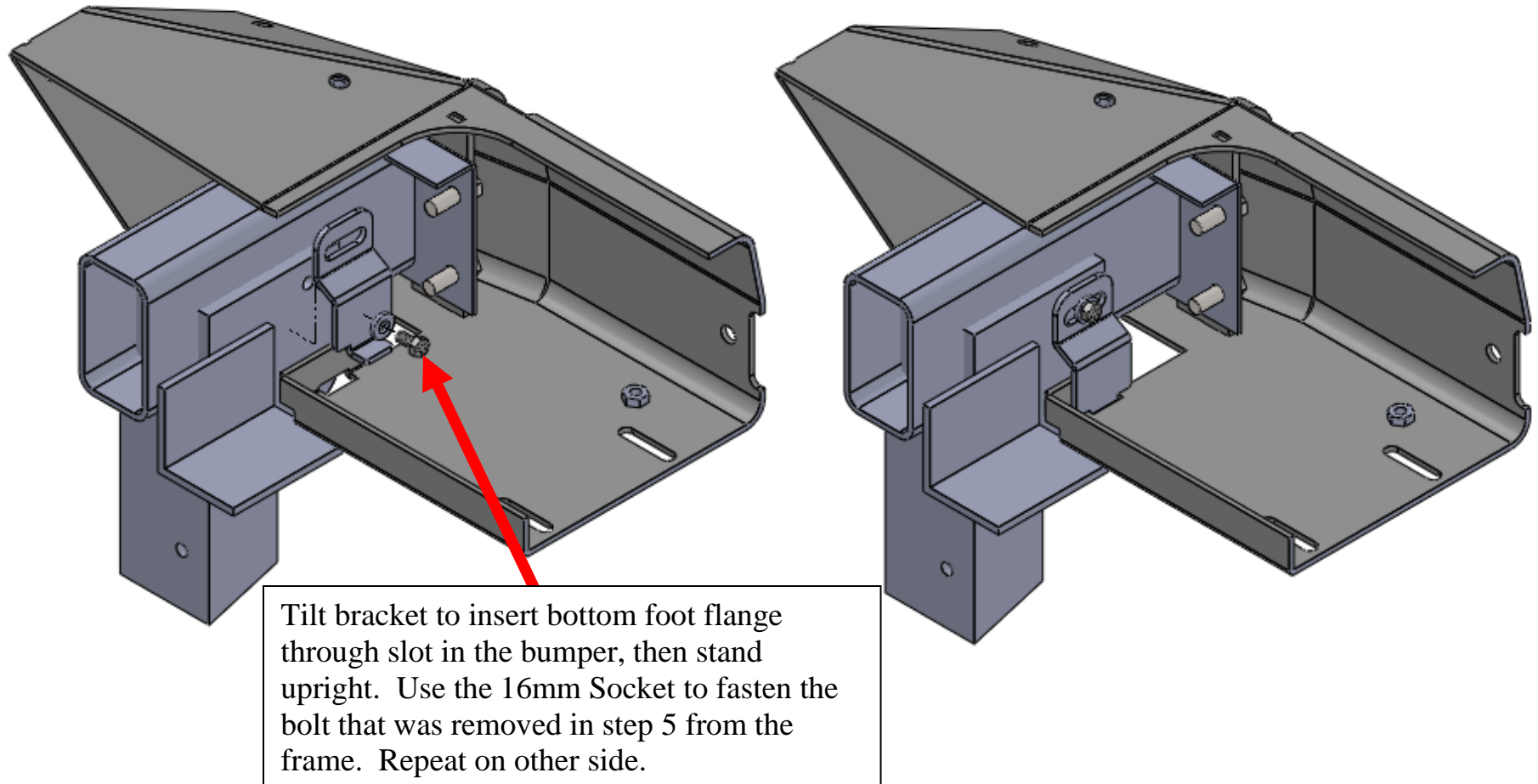
Installation instructions provided must be read and followed exactly when installing product. Failure to do so could potentially result in injury or death of any occupants in the vehicle. **WEAR SEAT BELTS AT ALL TIMES WHEN DRIVING!**

Though our products are rugged, they are primarily designed and built to enhance the appearance of the vehicle and will not protect from death or injury in the event of an accident. Adhere to all vehicle manufacturers specifications.

Don't forget to follow **HYLINE OFFROAD on social media and post pictures of your Jeep!**



Supplemental Winch Tray Reinforcement Bracket Diagram



**** IMPORTANT: PLEASE READ BEFORE INSTALLING**

HYLINE OFFROAD, LLC WARRANTY

HYLINE OFFROAD, LLC. LIMITED WARRANTY Hyline Offroad, LLC, warrants all products against manufacturer's defects in workmanship and material for a period of one (1) year from the date of sale. This warranty applies to manufacturer's defects only and does not cover damage or failure caused by natural causes or third parties.

If product failure does occur within the time period specified according to the provisions of this Warranty, then Hyline Offroad, LLC agrees to provide the replacement product free of charge, F.O.B. factory. This Warranty is valid only so long as the product is installed on the original vehicle. Removal of the product from this vehicle automatically invalidates this Warranty.

As described above, this warranty is expressly limited to the material cost of the product and does not extend to labor costs. Hyline Offroad, LLC will not be responsible for any costs incurred in the removal or reinstallation of the product furnished by manufacturer under this warranty.

CLAIMS PROCEDURE Submit Warranty claim in writing, by certified mail to Hyline Offroad, LLC, 1507 C West Park Avenue, Perkasio, PA 18944. The Claim Notice must state the date of this Notice, the nature of the defect, date of purchase and if already installed, the date of installation, if installed the name of installer and include Proof of Purchase.

This Warranty shall be for the benefit of the original owner only, and is non-transferable. This Warranty is valid in those states where permitted. Some states do not allow limitations on the length of an implied warranty, so the above limitation may not apply to you. Some states do not allow the exclusion or limitation of incidental or consequential damages, so the above limitation or exclusion may not apply to you. You should check your local state laws to determine this. This Warranty gives you specific legal rights, and you may also have other rights, which vary from state to state.

THE WARRANTIES SET FORTH IN THE FOREGOING PROVISIONS ARE LIMITED TO THEIR PRECISE TERMS AND PROVIDE EXCLUSIVE REMEDIES EXPRESSLY IN LIEU OF ALL OTHER WARRANTIES. THERE ARE NO WARRANTIES, EXPRESS OR IMPLIED, WHICH EXTEND BEYOND THE DESCRIPTION IN THE FOREGOING PROVISIONS. HYLINE OFFROAD, LLC EXPRESSLY DISCLAIMS ANY IMPLIED WARRANTY OF MERCHANTABILITY WITH REGARD TO THE PRODUCTS. HYLINE OFFROAD, LLC IS NOT LIABLE TO ANYONE FOR INCIDENTAL OR CONSEQUENTIAL DAMAGES FOR BREACH OF ANY WARRANTY, EXPRESS OR IMPLIED. HYLINE OFFROAD, LLC IS NOT LIABLE FOR DAMAGES TO PERSON OR PROPERTY, CONSEQUENTIAL LOSSES, LOSS OF PROFIT, LOSSES OF PRODUCT IN STORE, OR THE LIKE, UNDER ANY CIRCUMSTANCES AND HYLINE OFFROAD, LLC'S LIABILITY IN ANY CIRCUMSTANCE IS SPECIFICALLY LIMITED BY THE TERMS OF THIS WARRANTY.

HYLINE OFFROAD, LLC HOLD HARMLESS AGREEMENT

1. In purchasing a Hyline Offroad, LLC Product™ I release, waive, discharge and covenant not to sue Hyline Offroad, LLC's officers, servants, agents, or employees (hereinafter referred to as Releasees) from any and all liability, claims, demands, actions and causes of action whatsoever arising out of or related to any loss, damage, or injury, including death, that may be sustained by me (or anyone else), any property belonging to me (or anyone else), whether caused by the negligence of the releasees or otherwise, while working on, using or any activity related to this product.
2. I am fully cognizant of any risks and/or hazards connected with the use of a this product and I elect to willingly engage in such use of this product knowing that the use may be hazardous to me and my property. I willingly assume full responsibility for any risks of loss, property damage or personal injury, including death, that may be sustained by me (or anyone else), or any loss or damage to property owned by me (or anyone else), as a result of using this product, whether caused by the negligence of releasees or otherwise.
3. I further agree to indemnify and hold harmless the releases from any loss, liability, damage or costs, including court cost and attorney fees, that they may incur due to my use of a this product, whether caused by negligence of releasees or otherwise.
4. It is my express intent that this Release and Hold Harmless Agreement shall bind the members of my family and spouse, if I am alive, and my heir's assigns and personal representative, if I am deceased, and shall be deemed as a release, waiver, discharge, and covenant not to sue the above named releasees. I further agree that this Waiver of Liability and Hold Harmless Agreement shall be construed in accordance with the laws of the State of Pennsylvania.

By accepting and installing this product, I acknowledge and represent that I have read the above Warranty and Hold Harmless Agreement, understand it and accept it willingly as my own free act and deed; no oral presentations, statements, or inducements, apart from the foregoing written agreement, have been made; I am at least eighteen (18) years of age and fully competent; and I execute this Release for full, adequate and complete consideration fully intending to be bound by same.

If you do not agree with the preceding Hold Harmless Agreement, you may return the product and receive a full refund. Please, contact a Hyline Offroad sales representative and they will issue a call tag for the product in question. Once the product has been received by Hyline Offroad, inspected and accepted for return, a full refund will be issued.